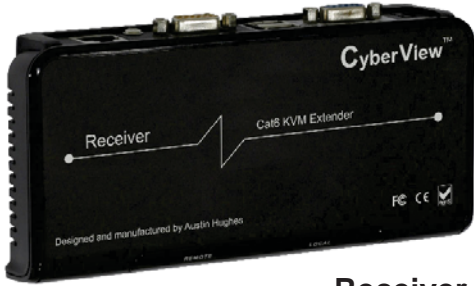


CV-S101



Receiver



Transmitter



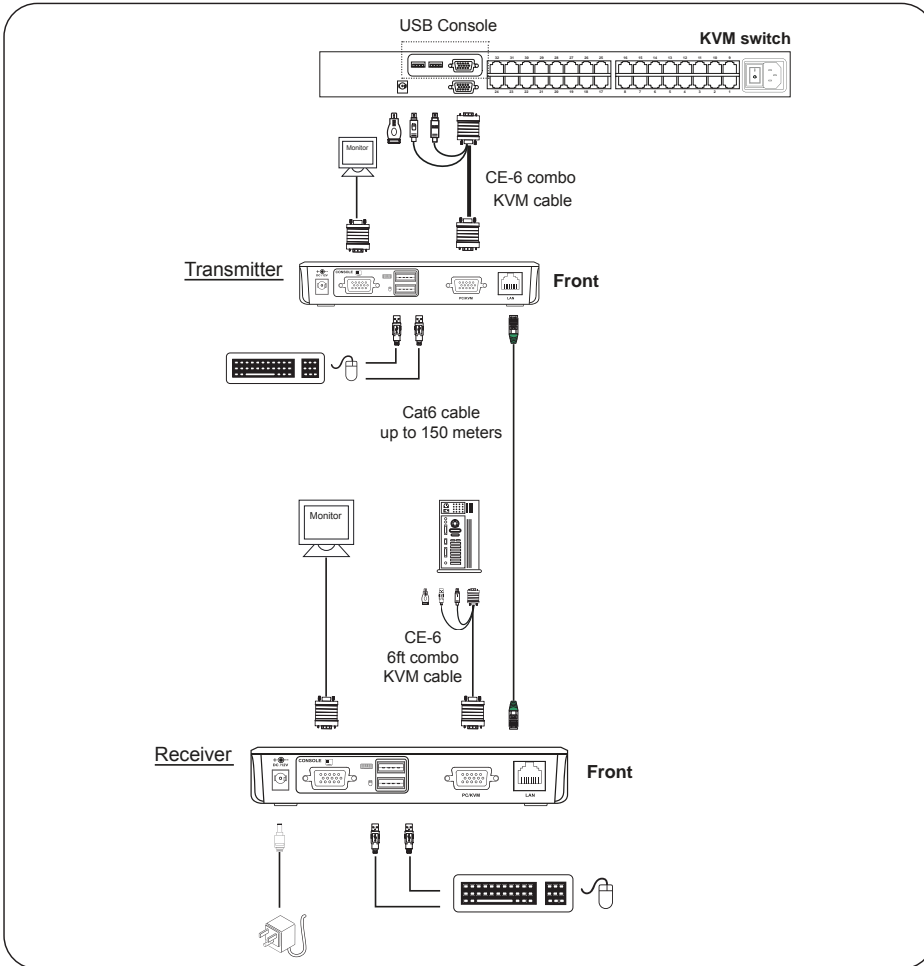
Combo KVM Extender Benefits

- ▶ Remote console up to 150M
- ▶ Dual user access at remote site
- ▶ Pure hardware solution makes network independent
- ▶ No software required

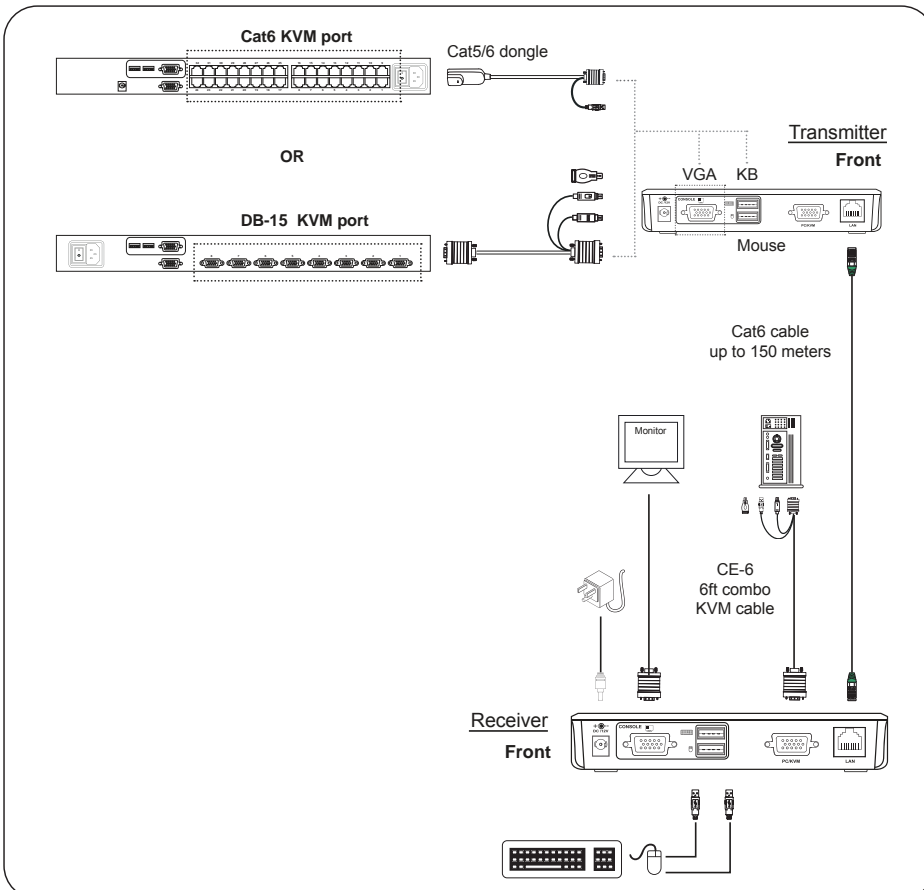
Specification

	Transmitter	Receiver
<b>Console Port</b>	1 x DB-15 VGA, up to 1920 x 1440 2 x USB connector for KB & mouse	1 x DB-15 VGA, up to 1920 x 1440 2 x USB connector for KB & mouse
<b>Remote I / O</b>	1 x RJ-45, connect the Receiver up to 1280 x 1024 resolution ( 150 meters )	1 x RJ-45, connect the Transmitter up to 1280 x 1024 resolution ( 150 meters )
<b>Local Computer</b>	1 x DB-15 combo KVM port	1 x DB-15 combo KVM port
<b>LED</b>	Power ( blue ) On Line ( green )	Local ( green / red ) Remote ( green / red )
<b>Power Input</b>	Optional 12V power adapter or from attached local computer	12V power adapter
<b>Power Consumption</b>	Max. 9W	
<b>Operating Temperature</b>	0 to 55°C degree	
<b>Storage Temperature</b>	-20 to 60°C degree	
<b>Operating Humidity</b>	20~90%, non-condensing	
<b>Storage Humidity</b>	5 ~90%, non-condensing	
<b>Operating Altitude</b>	16,000 ft	
<b>Non-operating Altitude</b>	40,000 ft	
<b>Shock</b>	10G acceleration (11ms duration)	
<b>Vibration</b>	5~500Hz 1G RMS random vibration	
<b>Product Dimension</b>	165 x 85 x 32 mm ( W x D x H )	
<b>Packing Dimension</b>	317 x 210 x 107 mm ( W x D x H )	
<b>Net Weight</b>	200 g ( Transmitter ) / 200 g ( Receiver )	
<b>Gross Weight</b>	1.25 kg	
<b>Safety</b>	FCC & CE certified	
<b>Environment</b>	RoHS2 compliant	

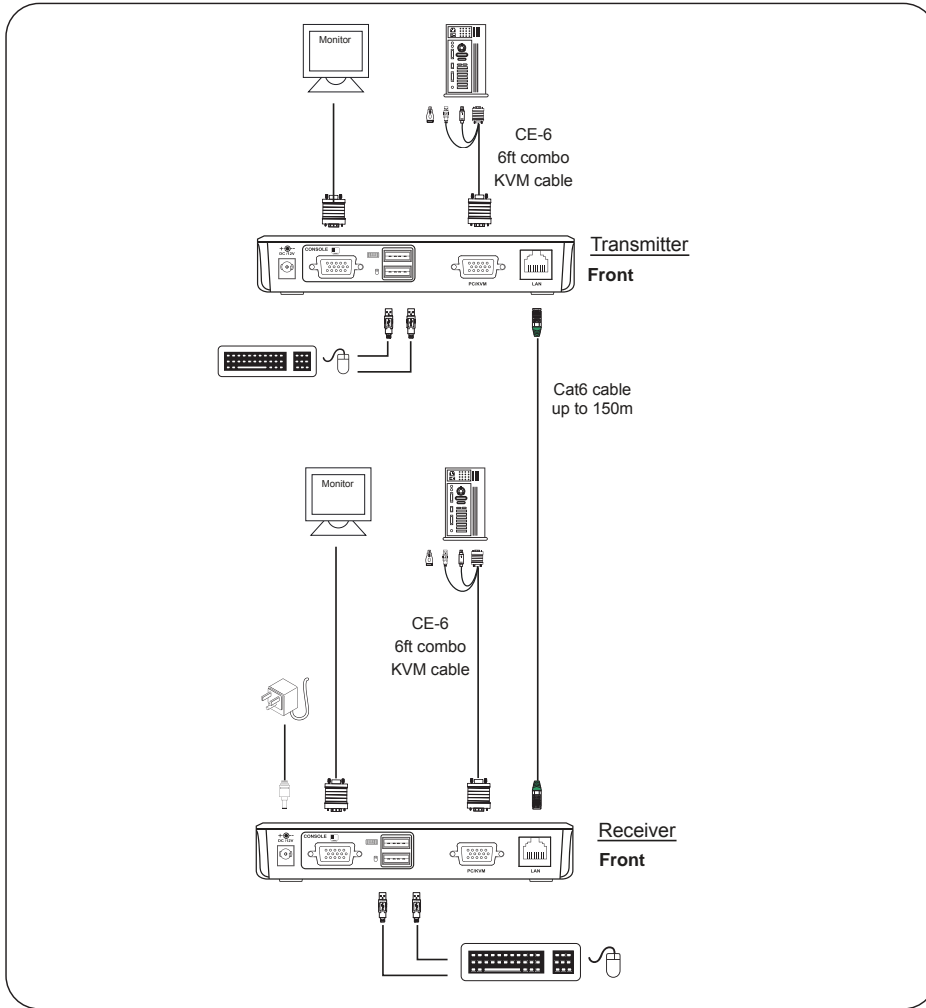
## Application < I > - Extending the KVM console port to 150 meters




## Application < II > - Extending the computer to KVM port to 150 meters



## Application < III > - Extending the computer up to 150 meters



 For detailed product specifications and options, please download the user manual from the link below : [www.austin-hughes.com/support/usermanual/cyberview/UM-CV-S101.pdf](http://www.austin-hughes.com/support/usermanual/cyberview/UM-CV-S101.pdf)