

AP-10 6mm aluminum front bezel



Display Benefits

- ▶ 10.4" LCD with resolution 800 x 600
- ▶ Green LED-backlit panel technology
- ▶ Rugged construction against external impact
- ▶ Protective 3mm glass

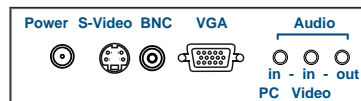
Options

- S-Video + Composite (BNC) or Audio input
- Projected Capacitive (2-point touch)
- Resistive / Capacitive (1-point touch)
- DC power : 12V / 24V / 48V
- TV - Analog

Basic I/O



AV1.2 upgrade I/O



Specifications

LCD Panel

Manufacturer :	AUO
Size (diagonal) :	10.4" TFT
Max resolution :	800 x 600
Brightness (cd/m2) :	230
Backlight :	LED
Colors :	262 K
Contrast ratio (typ) :	500 : 1
Viewing angle (H/V) :	160° x 130°
Active area (mm) :	211 x 158
MTBF (hrs) :	30,000
Video input :	VGA

Speaker :

Built-in Dual Stereo Speakers 2W x 2
(Bundled with AV1.2 upgrade)

Power Input :

Auto-sensing 100 to 240VAC, 50 / 60Hz

Power Consumption

Sreen on :	Max. 14W
Power saving mode :	Max. 4W
Power button on :	Max. 1W

Environmental

Operating temperature :	0 to 55°C degree
Storage temperature :	-20 to 60°C degree
Operating humidity :	20~90%, non-condensing
Storage humidity :	5 ~90%, non-condensing
Operating altitude :	16,000 ft
Non-operating altitude :	40,000 ft
Shock :	10G acceleration (11ms duration)
Vibration :	5~500Hz 1G RMS random vibration

Casing Color :

Black (RAL 9005)

Mounting :

Panel mount / VESA mount

Regulatory

Safety :	FCC & CE certified
Environmental :	RoHS2 & REACH compliant

Weight

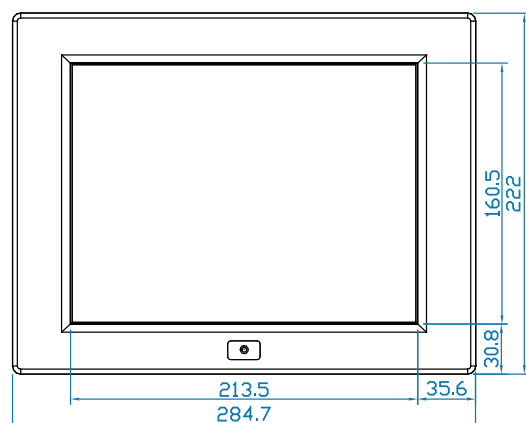
Net :	2.6 kgs / 5.7 lbs
Gross :	4.6 kgs / 10.1 lbs

Dimensions

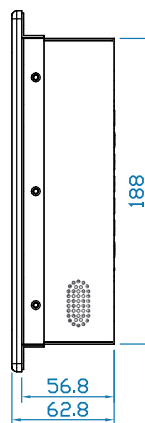
Product :	284.7 x 62.8 x 222 mm / 11.2 x 2.5 x 8.7 inch
Packing :	515 x 117 x 429 mm / 20.3 x 4.6 x 16.9 inch

Diagrams (mm)

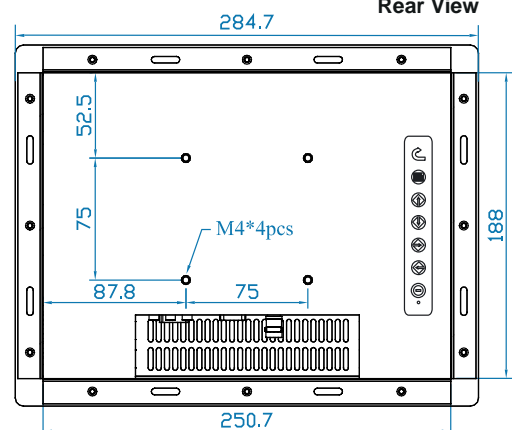
Front View



Side View



Rear View



**Dimension will be changed if Multi-touch required

NAP-10 NEMA 4 / IP65 front protection



Display Benefits

- ▶ 10.4" LCD with resolution 800 x 600
- ▶ Green LED-backlit panel technology
- ▶ Rugged construction against external impact
- ▶ 6mm aluminum front bezel with protective glass & water proof sealed gasket

Options

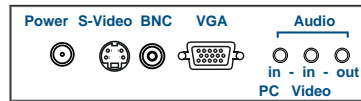
- S-Video + Composite (BNC) or Audio input
- DC power : 12V / 24V / 48V
- Projected Capacitive (2-point touch)
- TV - Analog
- Resistive / Capacitive (1-point touch)



Basic I/O



AV1.2 upgrade I/O



Specifications

LCD Panel

Manufacturer :	AUO
Size (diagonal) :	10.4" TFT
Max resolution :	800 x 600
Brightness (cd/m2) :	230
Backlight :	LED
Colors :	262 K
Contrast ratio (typ) :	500 : 1
Viewing angle (H/V) :	160° x 130°
Active area (mm) :	211 x 158
MTBF (hrs) :	30,000
Video input :	VGA

- **Speaker :** Built-in Dual Stereo Speakers 2W x 2 (Bundled with AV1.2 upgrade)
- **Power Input :** Auto-sensing 100 to 240VAC, 50 / 60Hz

Power Consumption

Sreen on :	Max. 14W
Power saving mode :	Max. 4W
Power button on :	Max. 1W

Environmental

Operating temperature :	0 to 55°C degree
Storage temperature :	-20 to 60°C degree
Operating humidity :	20~90%, non-condensing
Storage humidity :	5 ~90%, non-condensing
Operating altitude :	16,000 ft
Non-operating altitude :	40,000 ft
Shock :	10G acceleration (11ms duration)
Vibration :	5~500Hz 1G RMS random vibration

- **Casing Color :** Black (RAL 9005)
- **Mounting :** Panel mount / VESA mount

Regulatory

Safety :	FCC & CE certified
Environmental :	RoHS2 & REACH compliant

Weight

Net :	2.6 kgs / 5.7 lbs
Gross :	4.6 kgs / 10.1 lbs

Dimensions

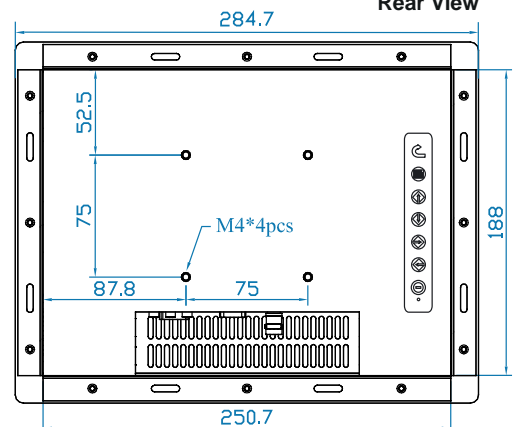
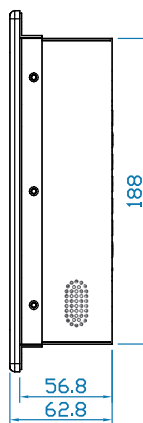
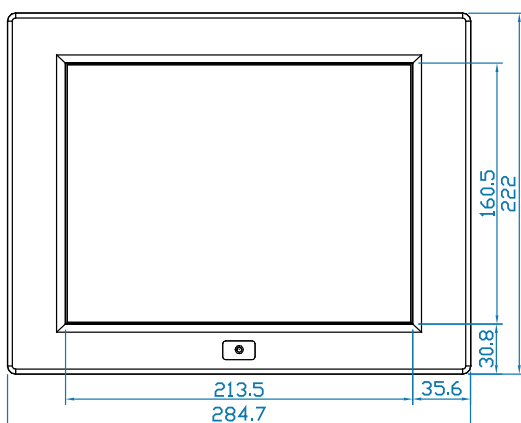
Product :	284.7 x 62.8 x 222 mm / 11.2 x 2.5 x 8.7 inch
Packing :	515 x 117 x 429 mm / 20.3 x 4.6 x 16.9 inch

Diagrams (mm)

Front View

Side View

Rear View



**Dimension will be changed if Multi-touch required