

AP-15 6mm aluminum front bezel



Display Benefits

- ▶ 15" LCD with resolution 1024 x 768
- ▶ Rugged construction against external impact
- ▶ Protective 3mm glass

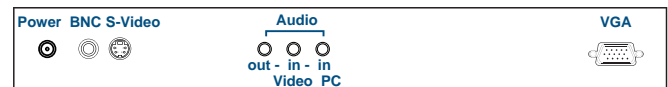
Options

- S-Video + Composite (BNC)
- DVI-D or Audio input
- Projected Capacitive (10-point touch)
Resistive / Capacitive (1-point touch)
- DC power : 12V / 24V / 48V
- TV - Analog

Basic I/O



AV2.2 upgrade I/O



Specifications

• LCD Panel

Manufacturer :	AUO
Size (diagonal) :	15" TFT
Max resolution :	1024 x 768
Brightness (cd/m2) :	250
Backlight :	CCFL
Colors :	16.2 M
Contrast ratio (typ) :	700 : 1
Viewing angle (H/V) :	150° x 135°
Active area (mm) :	304 x 228
MTBF (hrs) :	30,000
Video input :	VGA

• Speaker :

Built-in Dual Stereo Speakers 2W x 2
(Bundled with AV2.2 upgrade)

• Power Input :

Auto-sensing 100 to 240VAC, 50 / 60Hz

• Power Consumption

Screen on :	Max. 22W
Power saving mode :	Max. 4W
Power button on :	Max. 1W

• Environmental

Operating temperature :	0 to 55°C degree
Storage temperature :	-20 to 60°C degree
Operating humidity :	20~90%, non-condensing
Storage humidity :	5 ~90%, non-condensing
Operating altitude :	16,000 ft
Non-operating altitude :	40,000 ft
Shock :	10G acceleration (11ms duration)
Vibration :	5~500Hz 1G RMS random vibration

• Casing Color :

Black (RAL 9005)

• Mounting :

Panel mount / VESA mount

• Regulatory

Safety :	FCC & CE certified
Environmental :	RoHS2 & REACH compliant

• Weight

Net :	4.7 kgs / 10.3 lbs
Gross :	7.3 kgs / 16.1 lbs

• Dimensions

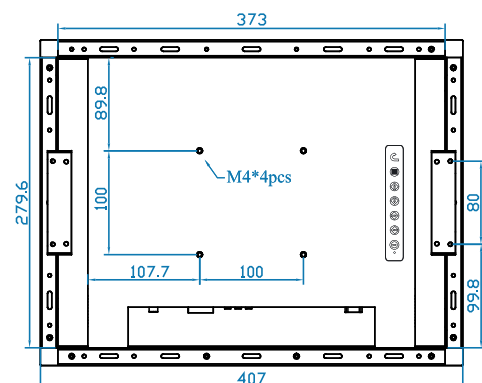
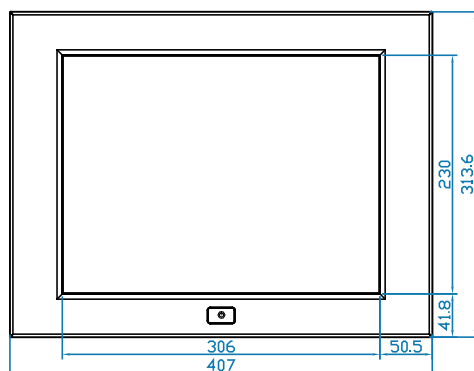
Product :	407 x 59.1 x 313.6 mm / 16 x 2.3 x 12.3 inch
Packing :	615 x 113 x 523 mm / 24.2 x 4.4 x 20.6 inch

Diagrams (mm)

Front View

Side View

Rear View



**Dimension will be changed if Multi-touch required

NAP-15 NEMA 4 / IP65 front protection



Display Benefits

- ▶ 15" LCD with resolution 1024 x 768
- ▶ Rugged construction against external impact
- ▶ 6mm aluminum front bezel with protective glass & water proof sealed gasket

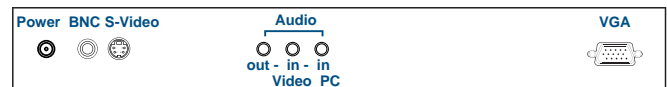
Options

- S-Video + Composite (BNC)
- DVI-D or Audio input
- Projected Capacitive (10-point touch)
Resistive / Capacitive (1-point touch)
- DC power : 12V / 24V / 48V
- TV - Analog


Basic I/O



AV2.2 upgrade I/O



Specifications

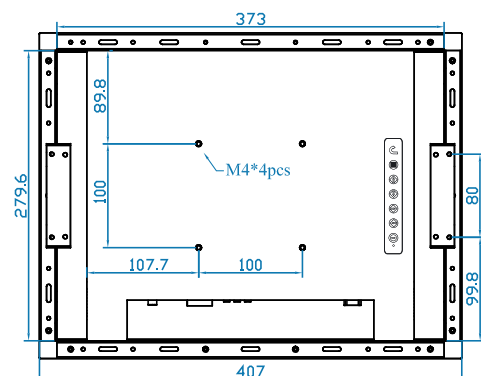
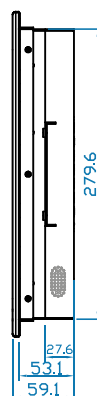
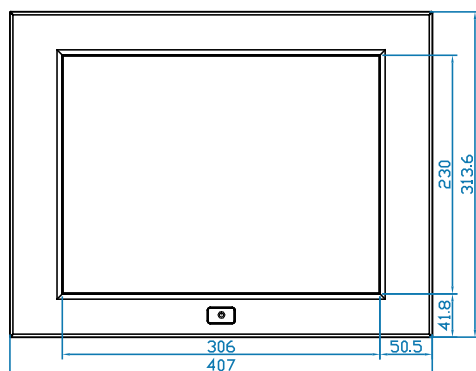
- **LCD Panel**
- **Manufacturer :** 
 - Size (diagonal) : 15" TFT
 - Max resolution : 1024 x 768
 - Brightness (cd/m2) : 250
 - Backlight : CCFL
 - Colors : 16.2 M
 - Contrast ratio (typ) : 700 : 1
 - Viewing angle (H/V) : 150° x 135°
 - Active area (mm) : 304 x 228
 - MTBF (hrs) : 30,000
 - Video input : VGA
- **Speaker :** Built-in Dual Stereo Speakers 2W x 2 (Bundled with AV2.2 upgrade)
- **Power Input :** Auto-sensing 100 to 240VAC, 50 / 60Hz
- **Power Consumption**
 - Screen on : Max. 22W
 - Power saving mode : Max. 4W
 - Power button on : Max. 1W
- **Environmental**
 - Operating temperature : 0 to 55°C degree
 - Storage temperature : -20 to 60°C degree
 - Operating humidity : 20~90%, non-condensing
 - Storage humidity : 5 ~90%, non-condensing
 - Operating altitude : 16,000 ft
 - Non-operating altitude : 40,000 ft
 - Shock : 10G acceleration (11ms duration)
 - Vibration : 5~500Hz 1G RMS random vibration
- **Casing Color :** Black (RAL 9005)
- **Mounting :** Panel mount / VESA mount
- **Regulatory**
 - Safety : FCC & CE certified
 - Environmental : RoHS2 & REACH compliant
- **Weight**
 - Net : 4.7 kgs / 10.3 lbs
 - Gross : 7.3 kgs / 16.1 lbs
- **Dimensions**
 - Product : 407 x 59.1 x 313.6 mm / 16 x 2.3 x 12.3 inch
 - Packing : 615 x 113 x 523 mm / 24.2 x 4.4 x 20.6 inch

Diagrams (mm)

Front View

Side View

Rear View



**Dimension will be changed if Multi-touch required