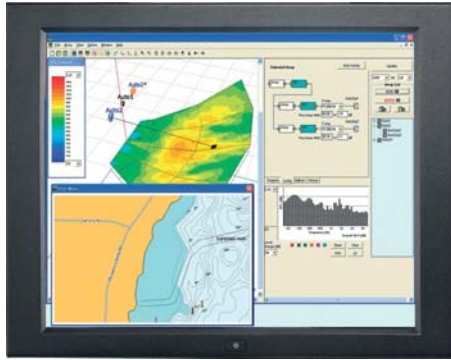


AP-17 6mm aluminum front bezel



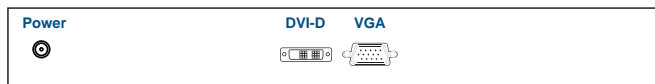
Display Benefits

- ▶ 17" LCD with resolution 1280 x 1024
- ▶ Green LED-backlit panel technology
- ▶ Rugged construction against external impact
- ▶ Protective 3mm glass

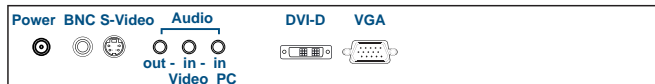
Options

- MCS Multi-display control solution
- Projected Capacitive (10-point touch)
Resistive / Capacitive (1-point touch)
- S-Video + Composite (BNC) or Audio input
- HDMI or DVI-D (either one for AV2.2 upgrade)
- MIL-type or lockable connector
- DC power : 12V / 24V / 48V / 125V / 250V
- Quad display for CCTV
- TV - Analog

Basic I/O



AV2.2D upgrade I/O



AV2.2H upgrade I/O



Specifications

• LCD Panel

Manufacturer :	AUO
Size (diagonal) :	17" TFT
Max resolution :	1280 x 1024
Brightness (cd/m2) :	250
Backlight :	LED
Colors :	16.7 M
Contrast ratio (typ) :	1000 : 1
Viewing angle (H/V) :	170° x 160°
Active area (mm) :	338 x 270
Video (hrs) :	30,000
Video input :	VGA or DVI-D

• **Speaker :** Built-in Dual Stereo Speakers 2W x 2 (Bundled with AV2.2 upgrade)

• **Power Input :** Auto-sensing 100 to 240VAC, 50 / 60Hz

• Power Consumption

Sreen on :	Max. 25W
Power saving mode :	Max. 4W
Power button on :	Max. 1W

• Environmental

Operating temperature :	0 to 55°C degree
Storage temperature :	-20 to 60°C degree
Operating humidity :	20~90%, non-condensing
Storage humidity :	5 ~90%, non-condensing
Operating altitude :	16,000 ft
Non-operating altitude :	40,000 ft
Shock :	10G acceleration (11ms duration)
Vibration :	5~500Hz 1G RMS random vibration

• Casing Color :

Black (RAL 9005)

• Mounting :

Panel mount / VESA mount

• Regulatory

Safety :	FCC & CE certified
Environmental :	RoHS2 & REACH compliant

• Weight

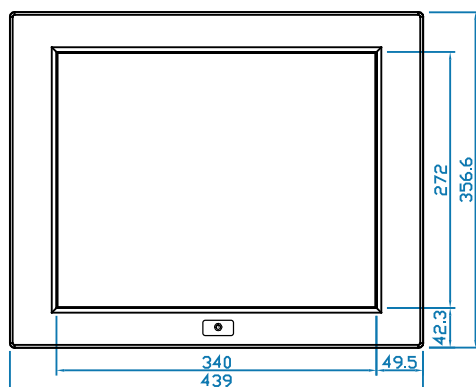
Net :	6.6 kgs / 14.5 lbs
Gross :	9.2 kgs / 20.2 lbs

• Dimensions

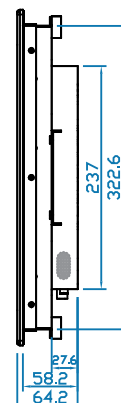
Product :	439 x 64.2 x 356.6 mm / 17.3 x 2.5 x 14 inch
Packing :	615 x 113 x 523 mm / 24.2 x 4.4 x 20.6 inch

Diagrams (mm)

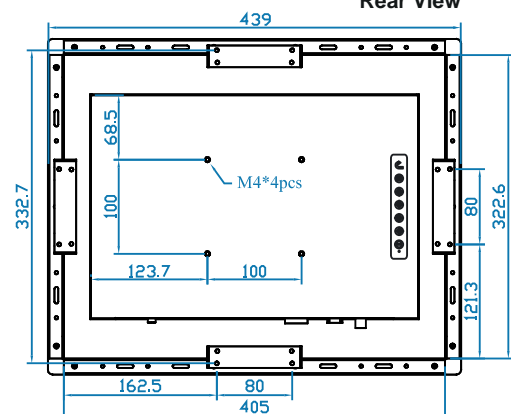
Front View



Side View

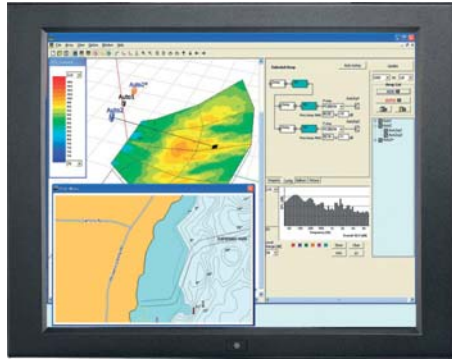


Rear View



**Dimension will be changed if Multi-touch required

NAP-17 NEMA 4 / IP65 front protection



Display Benefits

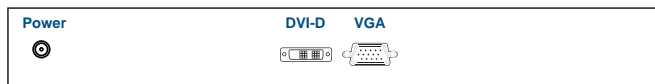
- ▶ 17" LCD with resolution 1280 x 1024
- ▶ Green LED-backlit panel technology
- ▶ Rugged construction against external impact
- ▶ 6mm aluminum front bezel with protective glass & water proof sealed gasket

Options

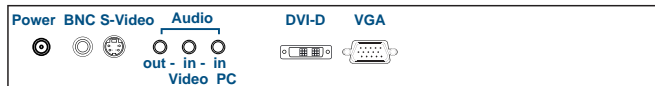
- MCS Multi-display control solution
- Projected Capacitive (10-point touch)
- Resistive / Capacitive (1-point touch)
- S-Video + Composite (BNC) or Audio input
- HDMI or DVI-D (either one for AV2.2 upgrade)
- MIL-type or lockable connector
- DC power : 12V / 24V / 48V / 125V / 250V
- Quad display for CCTV
- TV - Analog



Basic I/O



AV2.2D upgrade I/O



AV2.2H upgrade I/O



Specifications

• LCD Panel

Manufacturer :	AUO
Size (diagonal) :	17" TFT
Max resolution :	1280 x 1024
Brightness (cd/m2) :	250
Backlight :	LED
Colors :	16.7 M
Contrast ratio (typ) :	1000 : 1
Viewing angle (H/V) :	170° x 160°
Active area (mm) :	338 x 270
MTBF (hrs) :	30,000
Video input :	VGA or DVI-D

• Speaker :

Built-in Dual Stereo Speakers 2W x 2
(Bundled with AV2.2 upgrade)

• Power Input :

Auto-sensing 100 to 240VAC, 50 / 60Hz

• Power Consumption

Sreen on :	Max. 25W
Power saving mode :	Max. 4W
Power button on :	Max. 1W

• Environmental

Operating temperature :	0 to 55°C degree
Storage temperature :	-20 to 60°C degree
Operating humidity :	20~90%, non-condensing
Storage humidity :	5 ~90%, non-condensing
Operating altitude :	16,000 ft
Non-operating altitude :	40,000 ft
Shock :	10G acceleration (11ms duration)
Vibration :	5~500Hz 1G RMS random vibration

• Casing Color :

Black (RAL 9005)

• Mounting :

Panel mount / VESA mount

• Regulatory

Safety :	FCC & CE certified
Environmental :	RoHS2 & REACH compliant

• Weight

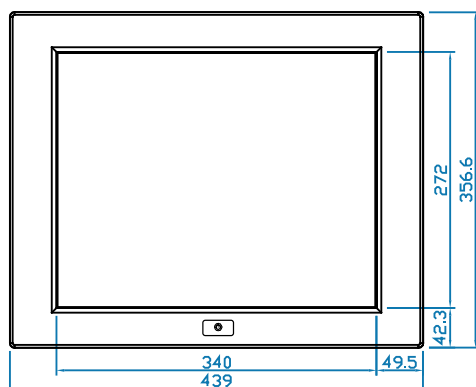
Net :	6.6 kgs / 14.5 lbs
Gross :	9.2 kgs / 20.2 lbs

• Dimensions

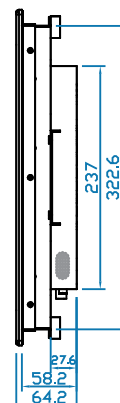
Product :	439 x 64.2 x 356.6 mm / 17.3 x 2.5 x 14 inch
Packing :	615 x 113 x 523 mm / 24.2 x 4.4 x 20.6 inch

Diagrams (mm)

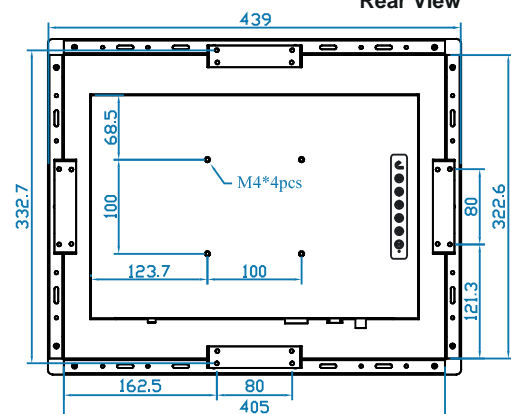
Front View



Side View



Rear View



**Dimension will be changed if Multi-touch required