

AP-19 6mm aluminum front bezel



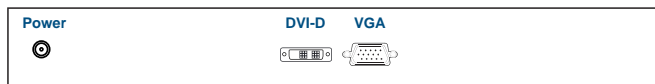
Display Benefits

- ▶ 19" LCD with resolution 1280 x 1024
- ▶ Green LED-backlit panel technology
- ▶ Rugged construction against external impact
- ▶ Protective 3mm glass

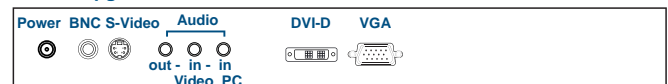
Options

- 3G / HD / SD-SDI Broadcast-grade input
- MIL-type or lockable connector
- MCS Multi-display control solution
- DC power : 12V / 24V / 48V / 125V / 250V
- Projected Capacitive (10-point touch)
- Resistive / Capacitive (1-point touch)
- S-Video + Composite (BNC) or Audio input
- TV - Analog
- HDMI or DVI-D (either one for AV2.2 upgrade)

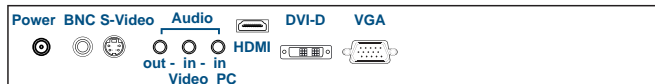
Basic I/O



AV2.2D upgrade I/O



AV3.0 upgrade I/O* with advanced features



AV2.2H upgrade I/O



*Casing dimensions will be changed

Specifications

• LCD Panel

Manufacturer :	AUO
Size (diagonal) :	19" TFT
Max resolution :	1280 x 1024
Brightness (cd/m2) :	250
Backlight :	LED
Colors :	16.7 M
Contrast ratio (typ) :	1000 : 1
Viewing angle (H/V) :	170° x 160°
Active area (mm) :	376 x 301
MTBF (hrs) :	30,000
Video input :	VGA or DVI-D

- **Speaker :** Built-in Dual Stereo Speakers 2W x 2 (Bundled with AV2.2 upgrade)

- **Power Input :** Auto-sensing 100 to 240VAC, 50 / 60Hz

• Power Consumption

Screen on :	Max. 25W
Power saving mode :	Max. 4W
Power button on :	Max. 1W

• Environmental

Operating temperature :	0 to 55°C degree
Storage temperature :	-20 to 60°C degree
Operating humidity :	20~90%, non-condensing
Storage humidity :	5 ~90%, non-condensing
Operating altitude :	16,000 ft
Non-operating altitude :	40,000 ft
Shock :	10G acceleration (11ms duration)
Vibration :	5~500Hz 1G RMS random vibration

- **Casing Color :** Black (RAL 9005)

- **Mounting :** Panel mount / VESA mount

• Regulatory

Safety :	FCC & CE certified
Environmental :	RoHS2 & REACH compliant

• Weight

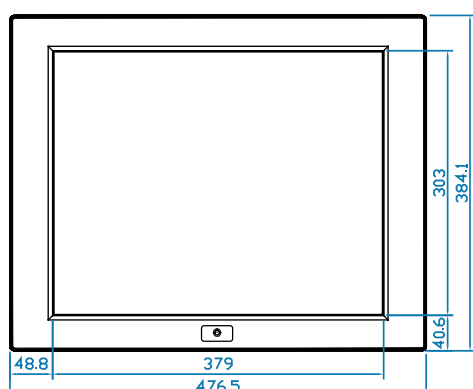
Net :	7.7 kgs / 16.9 lbs
Gross :	10.5 kgs / 23.1 lbs

• Dimensions

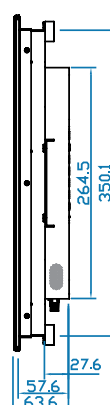
Product :	476.5 x 63.6 x 384.1 mm / 18.8 x 2.5 x 15.1 inch
Packing :	651 x 124 x 597 mm / 25.6 x 4.9 x 23.5 inch

Diagrams (mm)

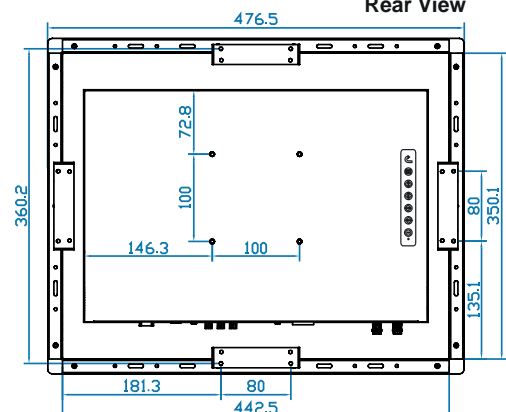
Front View



Side View



Rear View



NAP-19 NEMA 4 / IP65 front protection



Display Benefits

- ▶ 19" LCD with resolution 1280 x 1024
- ▶ Green LED-backlit panel technology
- ▶ Rugged construction against external impact
- ▶ 6mm aluminum front bezel with protective glass & water proof sealed gasket

Options

- 3G / HD / SD-SDI Broadcast-grade input
- MIL-type or lockable connector
- MCS Multi-display control solution
- DC power : 12V / 24V / 48V / 125V / 250V
- Projected Capacitive (10-point touch)
- Quad display for CCTV
- Resistive / Capacitive (1-point touch)
- TV - Analog
- S-Video + Composite (BNC) or Audio input
- HDMI or DVI-D (either one for AV2.2 upgrade)



REACH

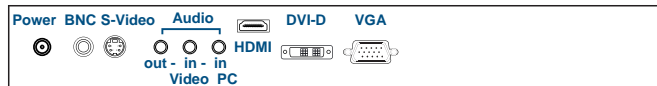
Basic I/O



AV2.2D upgrade I/O



AV3.0 upgrade I/O* with advanced features



AV2.2H upgrade I/O



*Casing dimensions will be changed

Specifications

• LCD Panel

- Manufacturer : **AUO**
- Size (diagonal) : 19" TFT
- Max resolution : 1280 x 1024
- Brightness (cd/m2) : 250
- Backlight : LED
- Colors : 16.7 M
- Contrast ratio (typ) : 1000 : 1
- Viewing angle (H/V) : 170° x 160°
- Active area (mm) : 376 x 301
- MTBF (hrs) : 30,000
- Video input : VGA or DVI-D

• Speaker :

Built-in Dual Stereo Speakers 2W x 2
(Bundled with AV2.2 upgrade)

• Power Input :

Auto-sensing 100 to 240VAC, 50 / 60Hz

• Power Consumption

- Screen on : Max. 25W
- Power saving mode : Max. 4W
- Power button on : Max. 1W

• Environmental

- Operating temperature : 0 to 55°C degree
- Storage temperature : -20 to 60°C degree
- Operating humidity : 20~90%, non-condensing
- Storage humidity : 5 ~90%, non-condensing
- Operating altitude : 16,000 ft
- Non-operating altitude : 40,000 ft
- Shock : 10G acceleration (11ms duration)
- Vibration : 5~500Hz 1G RMS random vibration

• Casing Color :

Black (RAL 9005)

• Mounting :

Panel mount / VESA mount

• Regulatory

- Safety : FCC & CE certified
- Environmental : RoHS2 & REACH compliant

• Weight

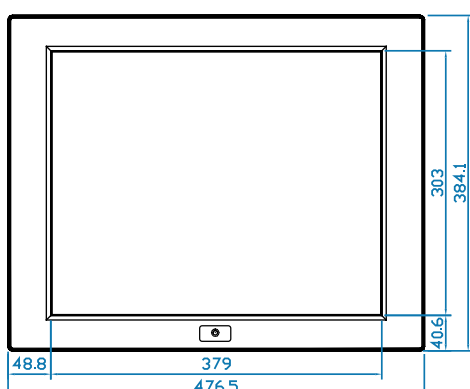
- Net : 7.7 kgs / 16.9 lbs
- Gross : 10.5 kgs / 23.1 lbs

• Dimensions

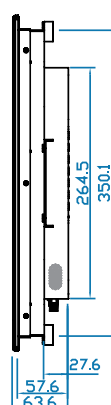
- Product : 476.5 x 63.6 x 384.1 mm / 18.8 x 2.5 x 15.1 inch
- Packing : 651 x 124 x 597 mm / 25.6 x 4.9 x 23.5 inch

Diagrams (mm)

Front View



Side View



Rear View

