

AP-F17 6mm aluminum front bezel



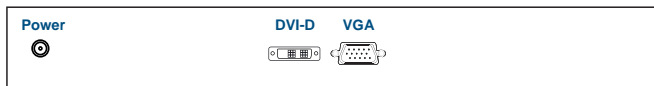
Display Benefits

- ▶ 17" widescreen LCD with **Full HD** 1080p resolution
- ▶ Green LED-backlit panel technology
- ▶ Rugged construction against external impact
- ▶ Protective 3mm glass

Options

- 3G / HD / SD-SDI Broadcast-grade input (w/ speaker)
- **MCS** Multi-display control solution
- Projected Capacitive (10-point touch)
Resistive (1-point touch)
- HDMI, S-Video + Composite (BNC) or Audio input
- MIL-type or lockable connector
- DC power : 12V / 24V / 48V / 125V / 250V
- TV - Analog

Basic I/O



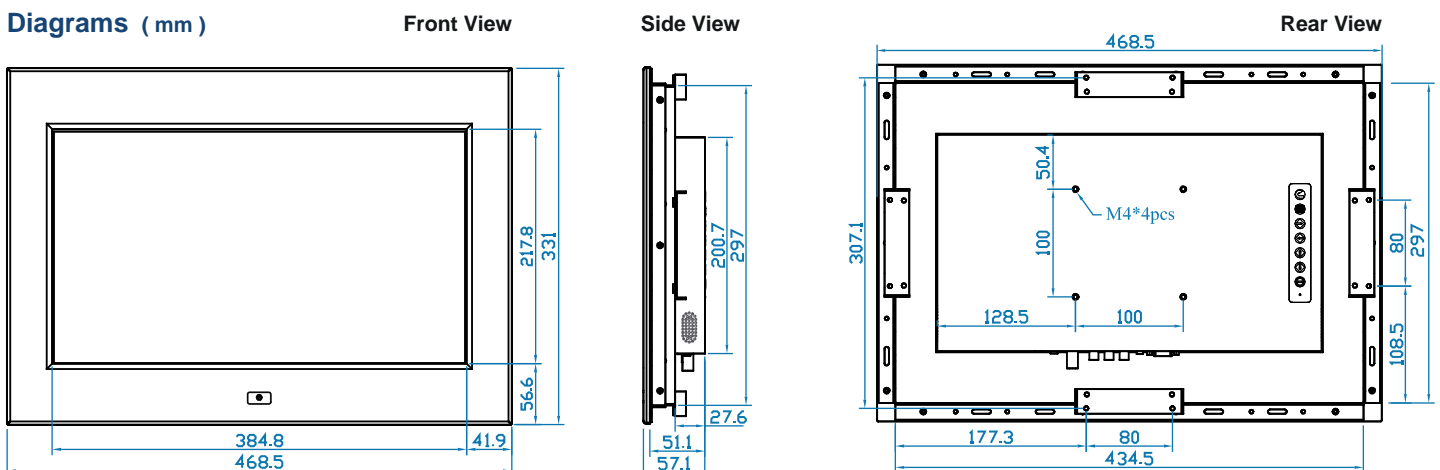
AV3.0 upgrade I/O with advanced features



Specifications

- **LCD Panel**
 - Size (diagonal) : 17.3" Widescreen TFT
 - Max resolution : 1920 x 1080
 - Brightness (cd/m2) : 400
 - Backlight : LED
 - Colors : 16.7 M, 8-bit
 - Contrast ratio (typ) : 600 : 1
 - Viewing angle (H/V) : 160° x 140°
 - Active area (mm) : 382 x 215
 - MTBF (hrs) : 50,000
 - Video input : VGA or DVI-D
- **Speaker** : Built-in Dual Stereo Speakers 2W x 2 (Bundled with AV3.0 upgrade)
- **Power Input** : Auto-sensing 100 to 240VAC, 50 / 60Hz
- **Power Consumption**
 - Screen on : Max. 25W
 - Power saving mode : Max. 4W
 - Power button on : Max. 1W
- **Environmental**
 - Operating temperature : 0 to 55°C degree
 - Storage temperature : -20 to 60°C degree
 - Operating humidity : 20~90%, non-condensing
 - Storage humidity : 5 ~90%, non-condensing
 - Operating altitude : 16,000 ft
 - Non-operating altitude : 40,000 ft
 - Shock : 10G acceleration (11ms duration)
 - Vibration : 5~500Hz 1G RMS random vibration
- **Casing Color** : Black (RAL 9005)
- **Mounting** : Panel mount / VESA mount
- **Regulatory**
 - Safety : FCC & CE certified
 - Environmental : RoHS2 & REACH compliant
- **Weight**
 - Net : 5.2 kgs / 11.4 lbs
 - Gross : 8 kgs / 17.6 lbs
- **Dimensions**
 - Product : 468.5 x 57.1 x 331 mm / 18.4 x 2.2 x 13 inch
 - Packing : 615 x 113 x 523 mm / 24.2 x 4.4 x 20.6 inch

Diagrams (mm)



**Dimension will be changed if Multi-touch required

NAP-F17

NEMA 4 / IP65
front protection



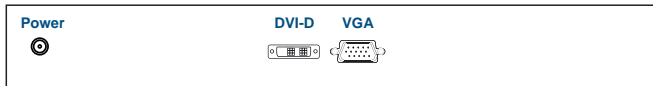
Display Benefits

- ▶ 17" widescreen LCD with **Full HD** 1080p resolution
- ▶ Green LED-backlit panel technology
- ▶ Rugged construction against external impact
- ▶ 6mm aluminum front bezel with protective glass & water proof sealed gasket

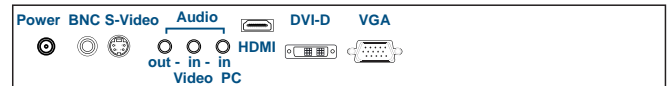
Options

- 3G / HD / SD-SDI Broadcast-grade input (w/ speaker)
- **MCS** Multi-display control solution
- Projected Capacitive (10-point touch)
Resistive (1-point touch)
- HDMI, S-Video + Composite (BNC) or Audio input
- MIL-type or lockable connector
- DC power : 12V / 24V / 48V / 125V / 250V
- TV - Analog

Basic I/O



AV3.0 upgrade I/O with advanced features



Specifications

• LCD Panel

Size (diagonal) :	17.3" Widescreen TFT
Max resolution :	1920 x 1080
Brightness (cd/m2) :	400
Backlight :	LED
Colors :	16.7 M, 8-bit
Contrast ratio (typ) :	600 : 1
Viewing angle (H/V) :	160° x 140°
Active area (mm) :	382 x 215
MTBF (hrs) :	50,000
Video input :	VGA or DVI-D

• Speaker :

Built-in Dual Stereo Speakers 2W x 2
(Bundled with AV3.0 upgrade)

• Power Input :

Auto-sensing 100 to 240VAC, 50 / 60Hz

• Power Consumption

Screen on :	Max. 25W
Power saving mode :	Max. 4W
Power button on :	Max. 1W

• Environmental

Operating temperature :	0 to 55°C degree
Storage temperature :	-20 to 60°C degree
Operating humidity :	20~90%, non-condensing
Storage humidity :	5 ~90%, non-condensing
Operating altitude :	16,000 ft
Non-operating altitude :	40,000 ft
Shock :	10G acceleration (11ms duration)
Vibration :	5~500Hz 1G RMS random vibration

• Casing Color :

Black (RAL 9005)

• Mounting :

Panel mount / VESA mount

• Regulatory

Safety :	FCC & CE certified
Environmental :	RoHS2 & REACH compliant

• Weight

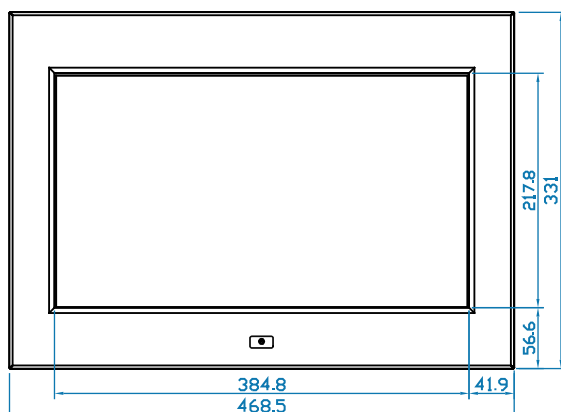
Net :	5.2 kgs / 11.4 lbs
Gross :	8 kgs / 17.6 lbs

• Dimensions

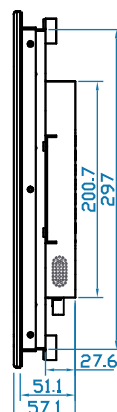
Product :	468.5 x 57.1 x 331 mm / 18.4 x 2.2 x 13 inch
Packing :	615 x 113 x 523 mm / 24.2 x 4.4 x 20.6 inch

Diagrams (mm)

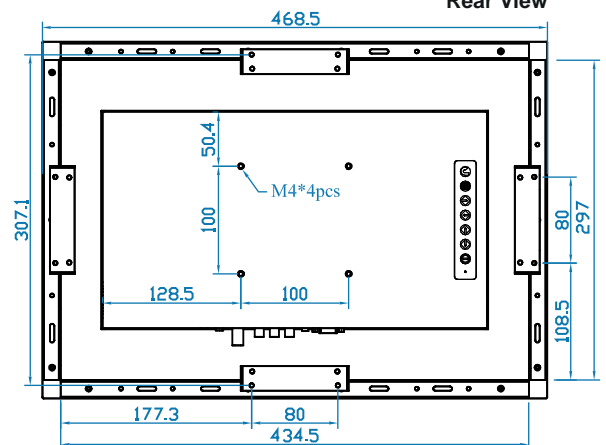
Front View



Side View



Rear View



**Dimension will be changed if Multi-touch required