

AP-W27 6mm aluminum front bezel



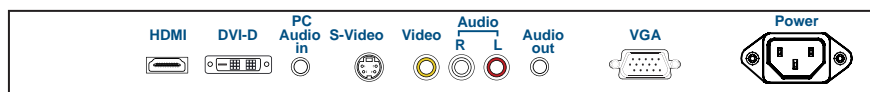
Display Benefits

- ▶ 27" widescreen LCD supports Full HD 1080p resolution
- ▶ PIP & Picture by Picture viewing efficiency
- ▶ Green LED-backlit panel technology
- ▶ Rugged construction against external impact
- ▶ Standard with HDMI, DVI-D, VGA, S-Video, Video (RCA), Audio & remote controller

Options

- 3G / HD / SD-SDI Broadcast-grade input
- MCS Multi-display control solution
- Projected Capacitive (10-point touch)
- Protective toughened glass
- DC power : 24V / 48V / 125V / 250V
- MIL-type or lockable connector
- TV - Analog

Basic I/O



Specifications

• LCD Panel

Manufacturer :	LG
Size (diagonal) :	27" Widescreen TFT
Max resolution :	1920 x 1080
Brightness (cd/m2) :	250
Backlight :	LED
Colors :	16.7 M
Contrast ratio (typ) :	1000 : 1
Viewing angle (H/V) :	178° x 178°
Active area (mm) :	598 x 336
MTBF (hrs) :	30,000
Video input :	HDMI / DVI-D / VGA / S-Video / Video (RCA)

• Speaker :

Built-in Dual Stereo Speakers (10W x 2)

• Power Input :

Auto-sensing 100 to 240VAC, 50 / 60Hz

• Power Consumption

Sreen on :	Max. 44W
Power saving mode :	Max. 9W
Power button on :	Max. 2W

• Environmental

Operating temperature :	0 to 55°C degree
Storage temperature :	-20 to 60°C degree
Operating humidity :	20~90%, non-condensing
Storage humidity :	5 ~90%, non-condensing
Operating altitude :	16,000 ft
Non-operating altitude :	40,000 ft
Shock :	10G acceleration (11ms duration)
Vibration :	5~500Hz 1G RMS random vibration

• Casing Color :

Black (RAL 9005)

• Mounting :

Wall-mount / VESA mount

• Regulatory

Safety :	FCC & CE certified
Environmental :	RoHS2 & REACH compliant

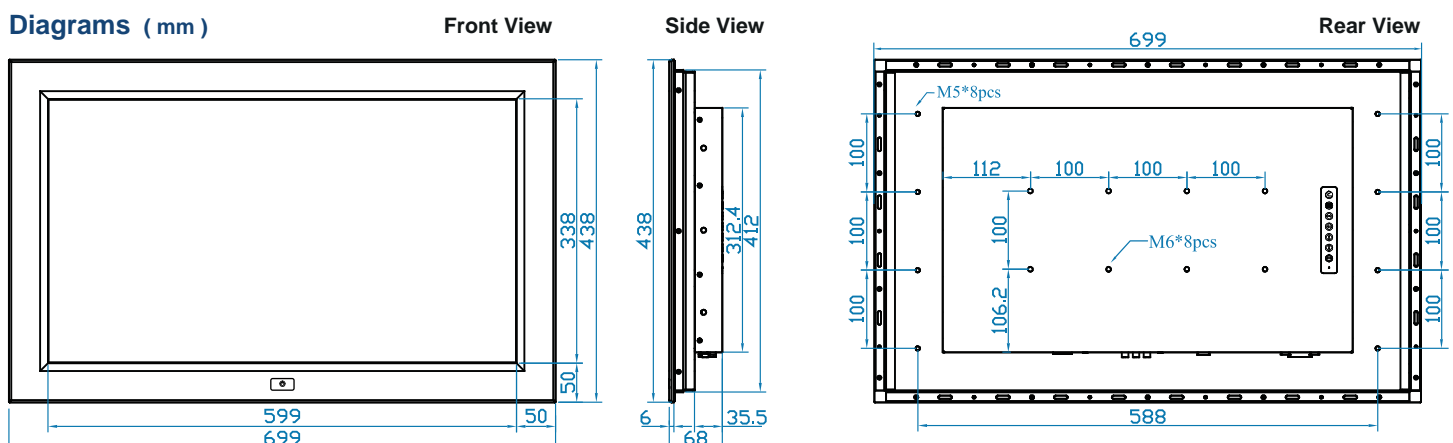
• Weight

Net :	16.8 kgs / 37 lbs
Gross :	20.4 kgs / 44.9 lbs

• Dimensions

Product :	699 x 68 x 438 mm / 27.5 x 2.7 x 17.2 inch
Packing :	785 x 175 x 527 mm / 30.9 x 6.9 x 20.7 inch

Diagrams (mm)



**Dimension will be changed if Multi-touch required

NAP-W27 NEMA 4 / IP65 front protection



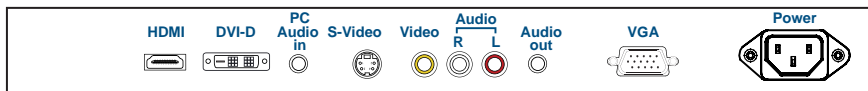
Display Benefits

- ▶ 27" widescreen LCD supports Full HD 1080p resolution
- ▶ PIP & Picture by Picture viewing efficiency
- ▶ Green LED-backlit panel technology
- ▶ Rugged construction against external impact
- ▶ 6mm aluminum front bezel with protective glass & water proof sealed gasket
- ▶ Standard with HDMI, DVI-D, VGA, S-Video, Video (RCA), Audio & remote controller

Options

- 3G / HD / SD-SDI Broadcast-grade input
- MCS Multi-display control solution
- Projected Capacitive (10-point touch)
- DC power : 24V / 48V / 125V / 250V
- MIL-type or lockable connector
- TV - Analog

Basic I/O



Specifications

• LCD Panel

Manufacturer :	LG
Size (diagonal) :	27" Widescreen TFT
Max resolution :	1920 x 1080
Brightness (cd/m2) :	250
Backlight :	LED
Colors :	16.7 M
Contrast ratio (typ) :	1000 : 1
Viewing angle (H/V) :	178° x 178°
Active area (mm) :	598 x 336
MTBF (hrs) :	30,000
Video input :	HDMI / DVI-D / VGA / S-Video / Video (RCA)

• **Speaker :** Built-in Dual Stereo Speakers (10W x 2)

• **Power Input :** Auto-sensing 100 to 240VAC, 50 / 60Hz

• Power Consumption

Sreen on :	Max. 44W
Power saving mode :	Max. 9W
Power button on :	Max. 2W

• Environmental

Operating temperature :	0 to 55°C degree
Storage temperature :	-20 to 60°C degree
Operating humidity :	20~90%, non-condensing
Storage humidity :	5 ~90%, non-condensing
Operating altitude :	16,000 ft
Non-operating altitude :	40,000 ft
Shock :	10G acceleration (11ms duration)
Vibration :	5~500Hz 1G RMS random vibration

• **Casing Color :** Black (RAL 9005)

• **Mounting :** Wall-mount / VESA mount

• Regulatory

Safety :	FCC & CE certified
Environmental :	RoHS2 & REACH compliant

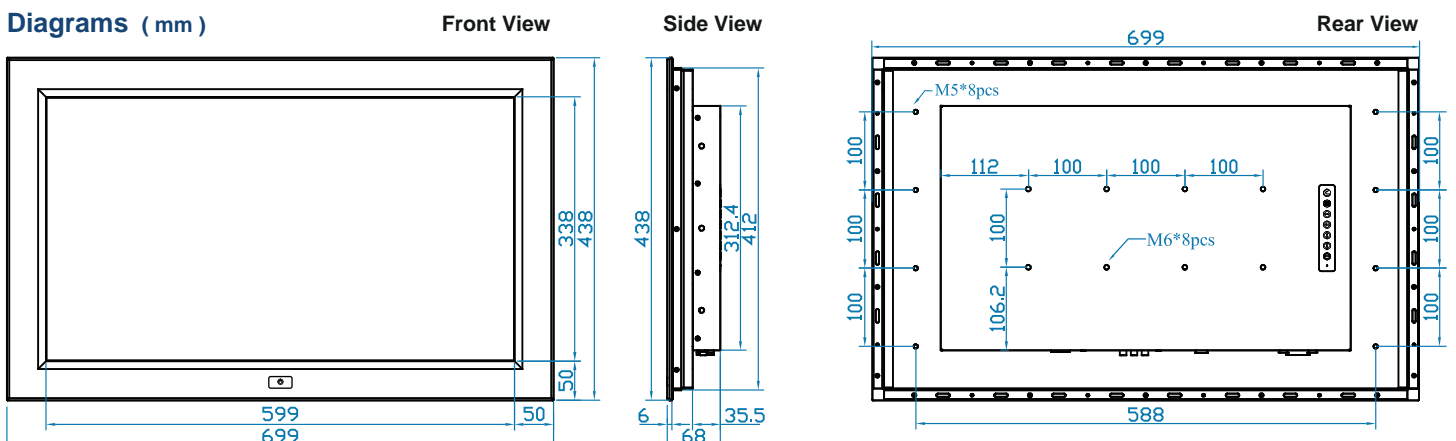
• Weight

Net :	18.6 kgs / 40.9 lbs
Gross :	22.2 kgs / 48.8 lbs

• Dimensions

Product :	699 x 68 x 438 mm / 27.5 x 2.7 x 17.2 inch
Packing :	785 x 175 x 527 mm / 30.9 x 6.9 x 20.7 inch

Diagrams (mm)



**Dimension will be changed if Multi-touch required