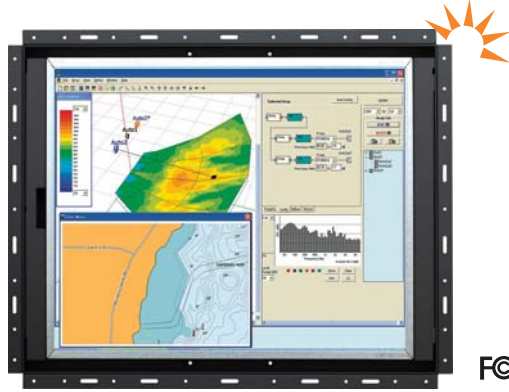


### HOP-17 Universal open frame mounting



#### Display Benefits

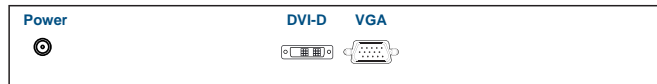
- ▶ 17" LCD with high brightness 1000 cd/m<sup>2</sup>
- ▶ Green LED-backlit panel technology
- ▶ Rugged construction against external impact

#### Options

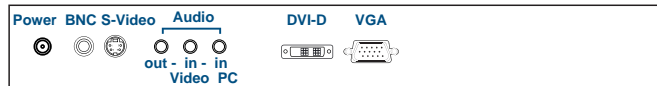
- MCS Multi-display control solution
- Projected Capacitive ( 10-point touch )  
Resistive / Capacitive ( 1-point touch )
- S-Video + Composite ( BNC ) or Audio input
- HDMI or DVI-D ( either one for AV2.2 upgrade )
- MIL-type or lockable connector
- DC power : 24V / 48V / 125V / 250V
- Quad display for CCTV
- TV - Analog
- Auto / switch dimming



#### Basic I/O



#### AV2.2D upgrade I/O



#### AV2.2H upgrade I/O



### Specifications

#### • LCD Panel

- Size (diagonal) : 17" TFT
- Max resolution : 1280 x 1024
- Brightness (cd/m<sup>2</sup>) : 1000
- Backlight : LED
- Colors : 16.7 M
- Contrast ratio (typ) : 1000 : 1
- Viewing angle (H/V) : 170° x 160°
- Active area (mm) : 338 x 270
- MTBF (hrs) : 50,000
- Video input : VGA or DVI-D

#### • Speaker :

Built-in Dual Stereo Speakers 2W x 2  
( Bundled with AV2.2 upgrade )

#### • Power Input :

Auto-sensing 100 to 240VAC, 50 / 60Hz

#### • Power Consumption

- Screen on : Max. 35W
- Power saving mode : Max. 4W
- Power button on : Max. 1W

#### • Environmental

- Operating temperature : 0 to 55°C degree
- Storage temperature : -20 to 60°C degree
- Operating humidity : 20~90%, non-condensing
- Storage humidity : 5 ~90%, non-condensing
- Operating altitude : 16,000 ft
- Non-operating altitude : 40,000 ft
- Shock : 10G acceleration ( 11ms duration )
- Vibration : 5~500Hz 1G RMS random vibration

#### • Casing Color :

Black ( RAL 9005 )

#### • Mounting :

Universal mount / VESA mount

#### • Regulatory

- Safety : FCC & CE certified
- Environmental : RoHS2 & REACH compliant

#### • Weight

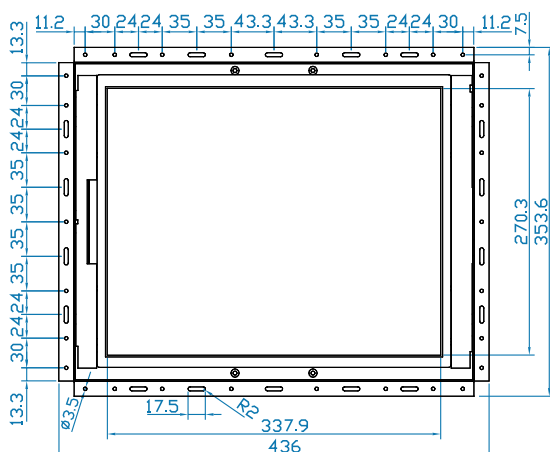
- Net : 4.9 kgs / 10.8 lbs
- Gross : 7.5 kgs / 16.5 lbs

#### • Dimensions

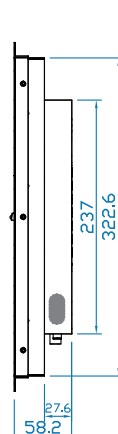
- Product : 436 x 58.2 x 354 mm / 17.2 x 2.3 x 13.9 inch
- Packing : 615 x 113 x 523 mm / 24.2 x 4.4 x 20.6 inch

### Diagrams ( mm )

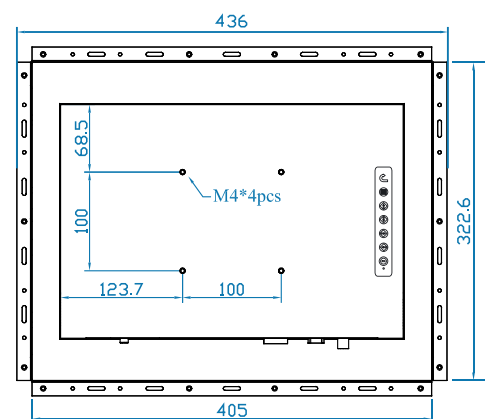
Front View



Side View



Rear View



\*\*Dimension will be changed if Multi-touch required