

HOP-19 Universal open frame mounting



Display Benefits

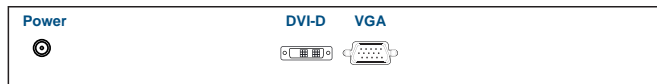
- ▶ 19" LCD with high brightness 1000 cd/m²
- ▶ Green LED-backlit panel technology
- ▶ Rugged construction against external impact

Options

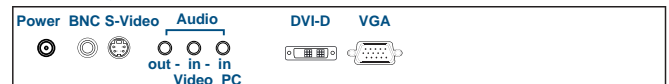
- 3G / HD / SD-SDI Broadcast-grade input
- MCS Multi-display control solution
- Projected Capacitive (10-point touch)
Resistive / Capacitive (1-point touch)
- S-Video + Composite (BNC) or Audio input
- HDMI or DVI-D (either one for AV2.2 upgrade)
- MIL-type or lockable connector
- DC power : 24V / 48V / 125V / 250V
- Quad display for CCTV
- TV - Analog
- Auto / switch dimming



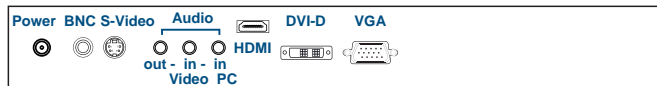
Basic I/O



AV2.2D upgrade I/O



AV3.0 upgrade I/O* with advanced features



AV2.2H upgrade I/O



*Casing dimensions will be changed

Specifications

• LCD Panel

- Size (diagonal) : 19" TFT
- Max resolution : 1280 x 1024
- Brightness (cd/m²) : 1000
- Backlight : LED
- Colors : 16.7 M
- Contrast ratio (typ) : 1000 : 1
- Viewing angle (H/V) : 170° x 160°
- Active area (mm) : 376 x 301
- MTBF (hrs) : 30,000
- Video input : VGA or DVI-D

- **Speaker :** Built-in Dual Stereo Speakers 2W x 2 (Bundled with AV2.2 upgrade)

- **Power Input :** Auto-sensing 100 to 240VAC, 50 / 60Hz

• Power Consumption

- Screen on : Max. 35W
- Power saving mode : Max. 4W
- Power button on : Max. 1W

• Environmental

- Operating temperature : 0 to 55°C degree
- Storage temperature : -20 to 60°C degree
- Operating humidity : 20~90%, non-condensing
- Storage humidity : 5 ~90%, non-condensing
- Operating altitude : 16,000 ft
- Non-operating altitude : 40,000 ft
- Shock : 10G acceleration (11ms duration)
- Vibration : 5~500Hz 1G RMS random vibration

- **Casing Color :** Black (RAL 9005)

- **Mounting :** Universal mount / VESA mount

• Regulatory

- Safety : FCC & CE certified
- Environmental : RoHS2 & REACH compliant

• Weight

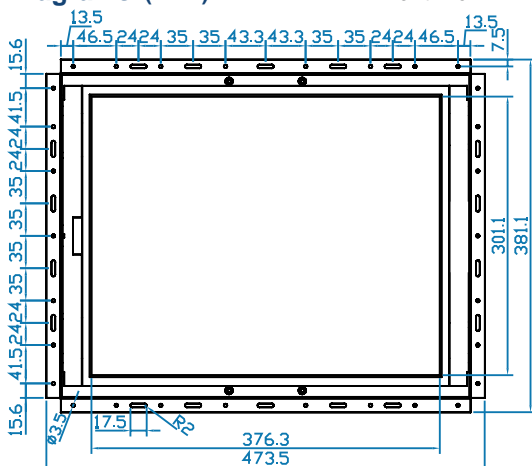
- Net : 5.7 kgs / 12.5 lbs
- Gross : 8.5 kgs / 18.7 lbs

• Dimensions

- Product : 473.5 x 57.6 x 381.1 mm / 18.6 x 2.3 x 15 inch
- Packing : 651 x 124 x 597 mm / 25.6 x 4.9 x 23.5 inch

Diagrams (mm)

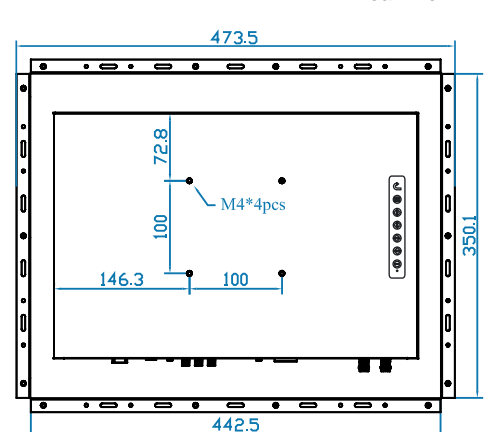
Front View



Side View



Rear View



**Dimension will be changed if Multi-touch required