

HOP-F17 Universal open frame mounting



Display Benefits

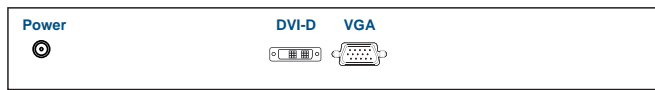
- ▶ 17" widescreen LCD with high brightness 1000 cd/m², Full HD 1080p resolution
- ▶ Green LED-backlit panel technology
- ▶ Rugged construction against external impact

Options

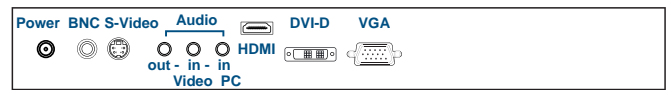
- 3G / HD / SD-SDI Broadcast-grade input (w/ speaker)
- MCS Multi-display control solution
- Projected Capacitive (10-point touch) Resistive (1-point touch)
- HDMI, S-Video + Composite (BNC) or Audio input
- MIL-type or lockable connector
- DC power : 24V / 48V / 125V / 250V
- TV - Analog
- Auto / switch dimming



Basic I/O



AV3.0 upgrade I/O with advanced features



Specifications

LCD Panel

- Size (diagonal) : 17.3" Widescreen TFT
- Max resolution : 1920 x 1080
- Brightness (cd/m²) : 1000
- Backlight : LED
- Colors : 16.7 M
- Contrast ratio (typ) : 600 : 1
- Viewing angle (H/V) : 160° x 140°
- Active area (mm) : 382 x 215
- MTBF (hrs) : 50,000
- Video input : VGA or DVI-D

Speaker :

Built-in Dual Stereo Speakers 2W x 2 (Bundled with AV3.0 upgrade)

Power Input :

Auto-sensing 100 to 240VAC, 50 / 60Hz

Power Consumption

- Screen on : Max. 65W
- Power saving mode : Max. 6W
- Power button on : Max. 2W

Environmental

- Operating temperature : 0 to 55°C degree
- Storage temperature : -20 to 60°C degree
- Operating humidity : 20~90%, non-condensing
- Storage humidity : 5 ~90%, non-condensing
- Operating altitude : 16,000 ft
- Non-operating altitude : 40,000 ft
- Shock : 10G acceleration (11ms duration)
- Vibration : 5~500Hz 1G RMS random vibration

Casing Color :

Black (RAL 9005)

Mounting :

Universal mount / VESA mount

Regulatory

- Safety : FCC & CE certified
- Environmental : RoHS2 & REACH compliant

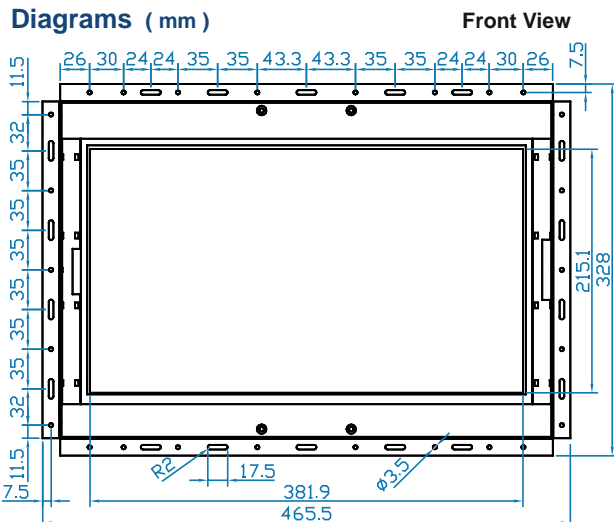
Weight

- Net : 3.4 kgs / 7.5 lbs
- Gross : 6.2 kgs / 13.6 lbs

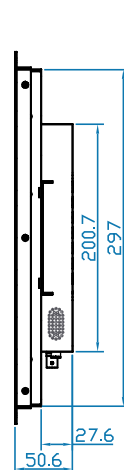
Dimensions

- Product : 465.5 x 50.6 x 328 mm / 18.3 x 2 x 12.9 inch
- Packing : 615 x 113 x 523 mm / 24.2 x 4.4 x 20.6 inch

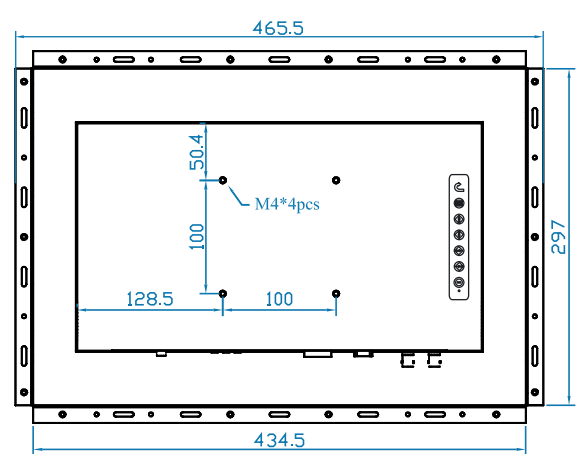
Diagrams (mm)



Side View



Rear View



**Dimension will be changed if Multi-touch required