

OP-10 Universal open frame mounting



Display Benefits

- ▶ 10.4" LCD with resolution 800 x 600
- ▶ Green LED-backlit panel technology
- ▶ Rugged construction against external impact

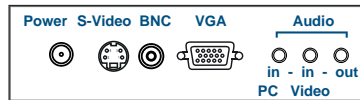
Options

- S-Video + Composite (BNC) or Audio input
- Projected Capacitive (2-point touch)
Resistive / Capacitive (1-point touch)
- DC power : 12V / 24V / 48V
- TV - Analog

Basic I/O



AV1.2 upgrade I/O



Specifications

LCD Panel

Manufacturer :	AUO
Size (diagonal) :	10.4" TFT
Max resolution :	800 x 600
Brightness (cd/m2) :	230
Backlight :	LED
Colors :	262 K
Contrast ratio (typ) :	500 : 1
Viewing angle (H/V) :	160° x 130°
Active area (mm) :	211 x 158
MTBF (hrs) :	30,000
Video input :	VGA

Speaker :

Built-in Dual Stereo Speakers 2W x 2
(Bundled with AV1.2 upgrade)

Power Input :

Auto-sensing 100 to 240VAC, 50 / 60Hz

Power Consumption

Sreen on :	Max. 14W
Power saving mode :	Max. 4W
Power button on :	Max. 1W

Environmental

Operating temperature :	0 to 55°C degree
Storage temperature :	-20 to 60°C degree
Operating humidity :	20~90%, non-condensing
Storage humidity :	5 ~90%, non-condensing
Operating altitude :	16,000 ft
Non-operating altitude :	40,000 ft
Shock :	10G acceleration (11ms duration)
Vibration :	5~500Hz 1G RMS random vibration

Casing Color :

Black (RAL 9005)

Mounting :

Universal mount / VESA mount

Regulatory

Safety :	FCC & CE certified
Environmental :	RoHS2 & REACH compliant

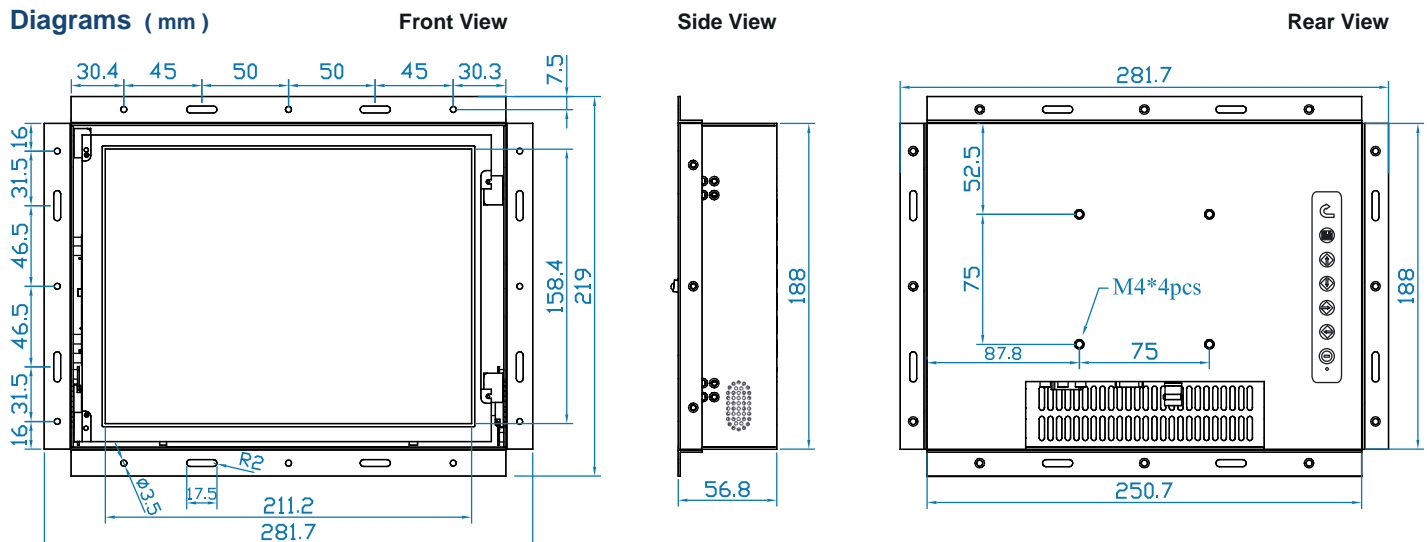
Weight

Net :	1.8 kgs / 3.7 lbs
Gross :	3.7 kgs / 8.1 lbs

Dimensions

Product :	281.7 x 56.8 x 219 mm / 11.1 x 2.2 x 8.6 inch
Packing :	515 x 117 x 429 mm / 20.3 x 4.6 x 16.9 inch

Diagrams (mm)



****Dimension will be changed if Multi-touch required**