

OP-12 Universal open frame mounting



Display Benefits

- ▶ 12.1" LCD with resolution 800 x 600
- ▶ Green LED-backlit panel technology
- ▶ Rugged construction against external impact

Options

- S-Video + Composite (BNC)
- DVI-D or Audio input
- Projected Capacitive (2-point touch)
Resistive / Capacitive (1-point touch)
- DC power : 12V / 24V / 48V
- TV - Analog

Basic I/O



AV2.2 upgrade I/O



Specifications

• LCD Panel

Manufacturer : **AUO**
 Size (diagonal) : 12.1" TFT
 Max resolution : 800 x 600
 Brightness (cd/m2) : 450
 Backlight : LED
 Colors : 262 K
 Contrast ratio (typ) : 700 : 1
 Viewing angle (H/V) : 160° x 140°
 Active area (mm) : 246 x 185
 MTBF (hrs) : 50,000
 Video input : VGA

• **Speaker :** Built-in Dual Stereo Speakers 2W x 2
(Bundled with AV2.2 upgrade)

• **Power Input :** Auto-sensing 100 to 240VAC, 50 / 60Hz

• Power Consumption

Sreen on : Max. 14W
 Power saving mode : Max. 4W
 Power button on : Max. 1W

• Environmental

Operating temperature : 0 to 55°C degree
 Storage temperature : -20 to 60°C degree
 Operating humidity : 20~90%, non-condensing
 Storage humidity : 5 ~90%, non-condensing
 Operating altitude : 16,000 ft
 Non-operating altitude : 40,000 ft
 Shock : 10G acceleration (11ms duration)
 Vibration : 5~500Hz 1G RMS random vibration

• **Casing Color :** Black (RAL 9005)

• **Mounting :** Universal mount / VESA mount

• Regulatory

Safety : FCC & CE certified
 Environmental : RoHS2 & REACH compliant

• Weight

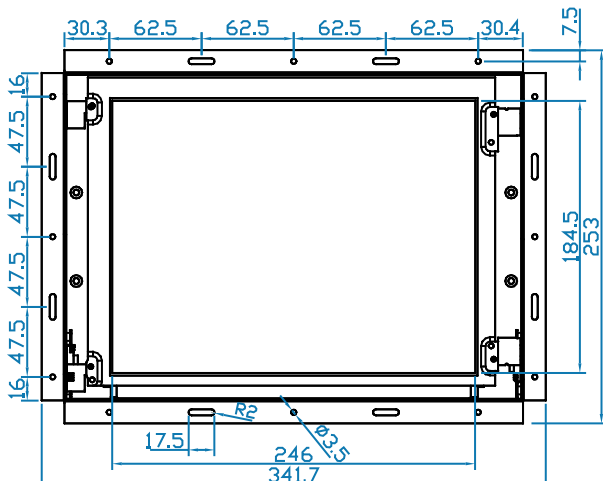
Net : 2.5 kgs / 5.5 lbs
 Gross : 4.4 kgs / 9.7 lbs

• Dimensions

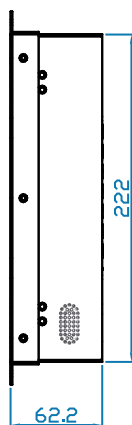
Product : 341.7 x 62.2 x 253 mm / 13.5 x 2.4 x 10 inch
 Packing : 515 x 117 x 429 mm / 20.3 x 4.6 x 16.9 inch

Diagrams (mm)

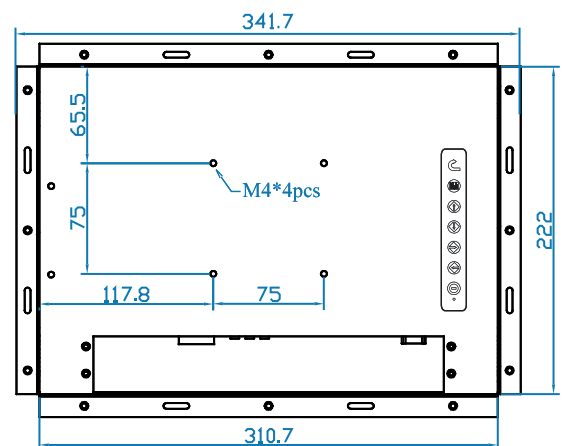
Front View



Side View



Rear View



**Dimension will be changed if Multi-touch required