

OP-20 Universal open frame mounting



Display Benefits

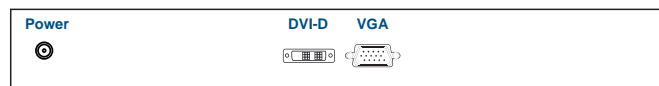
- ▶ 20" LCD with high resolution 1600 x 1200
- ▶ Rugged construction against external impact

Options

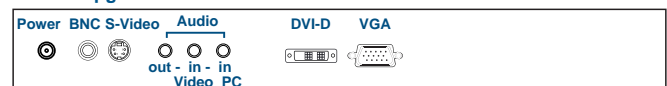
- 3G / HD / SD-SDI Broadcast-grade input
- MCS Multi-display control solution
- Resistive (1-point touch)
- S-Video + Composite (BNC) or Audio input
- HDMI or DVI-D (either one for AV2.2 upgrade)
- MIL-type or lockable connector
- DC power : 12V / 24V / 48V / 125V / 250V
- Quad display for CCTV
- TV - Analog



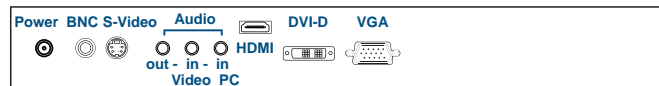
Basic I/O



AV2.2D upgrade I/O



AV3.0 upgrade I/O* with advanced features



AV2.2H upgrade I/O



*Casing dimensions will be changed

Specifications

• LCD Panel

- Manufacturer : LG
- Size (diagonal) : 20.1" TFT
- Max resolution : 1600 x 1200
- Brightness (cd/m²) : 300
- Backlight : CCFL
- Colors : 16.7 M
- Contrast ratio (typ) : 800 : 1
- Viewing angle (H/V) : 178° x 178°
- Active area (mm) : 408 x 306
- MTBF (hrs) : 45,000
- Video input : VGA or DVI-D

• Speaker :

Built-in Dual Stereo Speakers 2W x 2
(Bundled with AV2.2 upgrade)

• Power Input :

Auto-sensing 100 to 240VAC, 50 / 60Hz

• Power Consumption

- Screen on : Max. 48W
- Power saving mode : Max. 4W
- Power button on : Max. 1W

• Environmental

- Operating temperature : 0 to 55°C degree
- Storage temperature : -20 to 60°C degree
- Operating humidity : 20~90%, non-condensing
- Storage humidity : 5 ~90%, non-condensing
- Operating altitude : 16,000 ft
- Non-operating altitude : 40,000 ft
- Shock : 10G acceleration (11ms duration)
- Vibration : 5~500Hz 1G RMS random vibration

• Casing Color :

Black (RAL 9005)

• Mounting :

Universal mount / VESA mount

• Regulatory

- Safety : FCC & CE certified
- Environmental : RoHS2 & REACH compliant

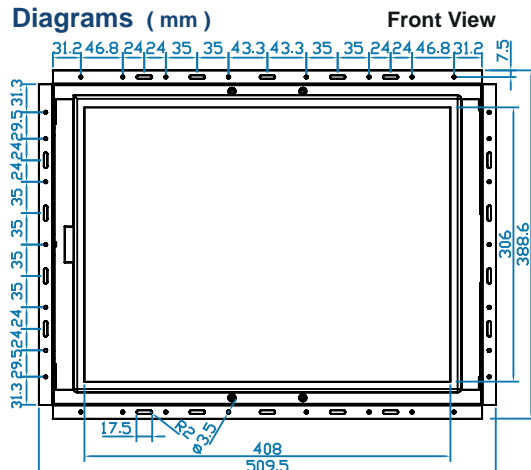
• Weight

- Net : 7 kgs / 15.4 lbs
- Gross : 9 kgs / 19.8 lbs

• Dimensions

- Product : 509.5 x 66.1 x 388.6 mm / 20.1 x 2.6 x 15.3 inch
- Packing : 651 x 124 x 597 mm / 25.6 x 4.9 x 23.5 inch

Diagrams (mm)



Side View



Rear View

