

Circuit Protection	Code
Fuse	<b>F</b>
MCB	<b>CR</b>



IEC 60309 Inlet

32A model :	Circuit Protection
V30C13/6C19-32A-Wi/ <b>F_EN/3B-1</b>	Resettable Fuse x 2
V30C13/6C19-32A-Wi/ <b>CR_EN/3T-1</b>	1-pole MCB x 2

Input Rating : 32Amp, 230V  
Cordset : 3 meter 4.0mm sq. H05V V-F cordset  
Protection : 16A resettable fuse or 16A hydraulic MCB x 2  
Circuit A : Output 16A max., C13 #1-15 + C19 #C1-C3  
Circuit B : Output 16A max., C13 #16-30 + C19 #C4-C6  
Weight : Net 8.67 Kg / Gross 10.6 Kg

PDU Feed	Code
Bottom	<b>B</b>
Top	<b>T</b>



Open end

20A model :	Circuit Protection
V30C13/6C19-20A-Wi/ <b>F_OE/3B-1</b>	Resettable Fuse x 1
V30C13/6C19-20A-Wi/ <b>CR_OE/3T-1</b>	1-pole MCB x 1

Input Rating : 20Amp, 230V  
Cordset : 3 meter 2.5mm sq. H05V V-F cordset  
Protection : 20A resettable fuse or 20A hydraulic MCB x 1  
Circuit : Output 20A max., C13 #1-30 + C19 #C1-C6  
Weight : Net 7.91 Kg / Gross 9.84 Kg

Chassis Color	Code
Black	<b>1</b>
White	<b>2</b>
Red	<b>3</b>
Blue	<b>4</b>
Green	<b>5</b>
Orange	<b>6</b>
Yellow	<b>7</b>
Purple	<b>8</b>



IEC 60309 Inlet

16A model :	Circuit Protection
V30C13/6C19-16A-Wi/ <b>F_EN/3B-1</b>	Resettable Fuse x 1
V30C13/6C19-16A-Wi/ <b>CR_EN/3T-1</b>	1-pole MCB x 1

Input Rating : 16Amp, 230V  
Cordset : 3 meter 1.5mm sq. H05V V-F cordset  
Protection : 16A resettable fuse or 16A hydraulic MCB x 1  
Circuit : Output 16A max., C13 #1-30 + C19 #C1-C6  
Weight : Net 7.84 Kg / Gross 9.77 Kg

Standard color : Black



IEC320 C20

16A model :	Circuit Protection
V30C13/6C19-16A-Wi/ <b>F_C20/3B-1</b>	Resettable Fuse x 1
V30C13/6C19-16A-Wi/ <b>CR_C20/3T-1</b>	1-pole MCB x 1

Input Rating : 16Amp, 230V  
Cordset : 3 meter 1.5mm sq. H05V V-F cordset  
Protection : 16A resettable fuse or 16A hydraulic MCB x 1  
Circuit : Output 16A max., C13 #1-30 + C19 #C1-C6  
Weight : Net 7.76 Kg / Gross 9.69 Kg

Operating Temperature : -5 to 60 °C  
Storage Temperature : -25 to 65 °C  
Operating Altitude : 0 to 2,000 m  
Storage Altitude : 0 to 15,000 m  
Humidity : 8 to 95% RH, non-condensing

### Meter Features ( Wi monitored PDU + Outlet Measurement )

Local Display : Field replaceable 2.8" color LCD with touchscreen  
Bank Measurement : Current ( A ), Energy ( kWh ), Voltage ( V ) & Power factor  
Outlet Measurement : Current ( A ), Energy ( kWh )  
Accuracy : ±1% Billing-grade  
IP Access : via IP dongle, one IP Access up to 32 PDU Levels  
Cascade : Up to 32 PDU under single IP address via IP dongle  
SNMP : V2 / V3 via IP dongle  
Sensor Port x 2 : Temp. Sensor / Temp. + Humid. Sensor

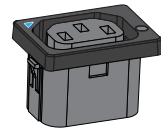
### IP dongle ( option )

- Dual LAN Network Failover  
- 10/100 Ethernet & Gigabit Ethernet standard  
- Enterprise IP Authentication, LDAPv3 / LDAPS, Active Directory®, RADIUS protocol

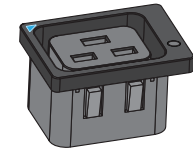
EMC Compliance : CE / EMC  
Safety Compliance : Tested to EN 62368-1:2014 / A11:2017 standard  
Tested to EN 60730-1:2016 / A1:2019 standard  
Environment Compliance : RoHS3 & REACH

## Lockable IEC Outlet

- Patented design for InfraPower PDU



**C13 Outlet**



**C19 Outlet**

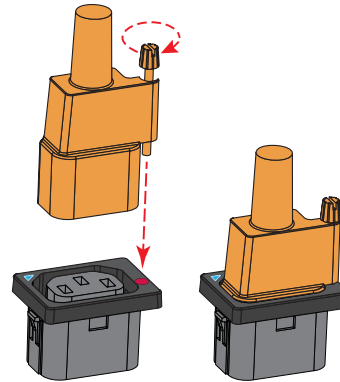
## Lockable IEC Cable

- Patented design of InfraPower PDU
- Low cost, easy to lock & secure
- Proprietary for lockable IEC outlet
- Applicable to standard IEC outlet
- 6 colors & 3 lengths available
- Custom color & length on request
- VDE & ENEC approval

### C13 - C14

H05VV-F 3G 0.75mm<sup>2</sup>

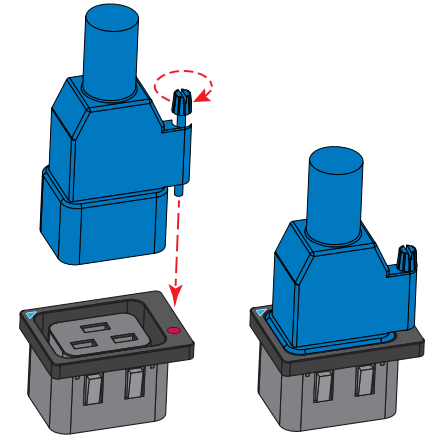
Cable Color	0.5M	1M	2M
Black	✓	✓	✓
Grey	✓	✓	✓
Red	✓	✓	✓
Blue	✓	✓	✓
Green	✓	✓	✓
Orange	✓	✓	✓



### C19 - C20

H05VV-F 3G 1.5mm<sup>2</sup>

Cable Color	1M	2M
Black	✓	✓
Grey	✓	✓
Red	✓	✓
Blue	✓	✓
Green	✓	✓
Orange	✓	✓

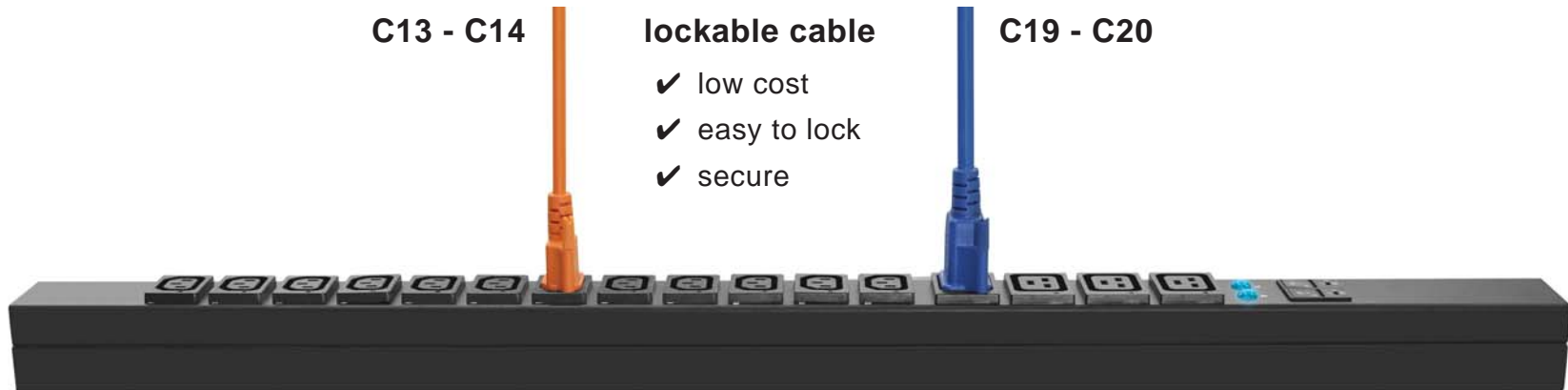


**C13 - C14**



**lockable cable**

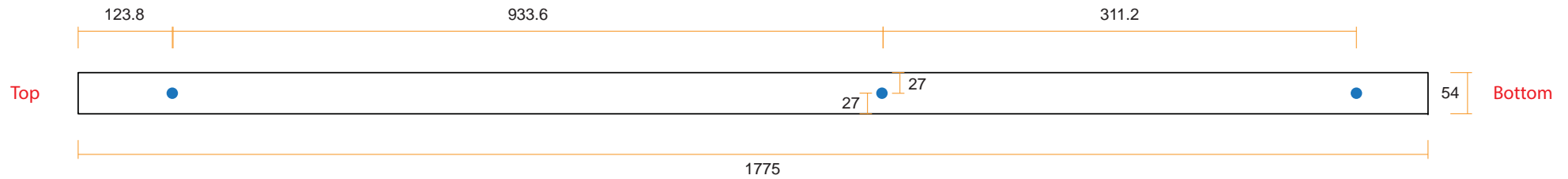
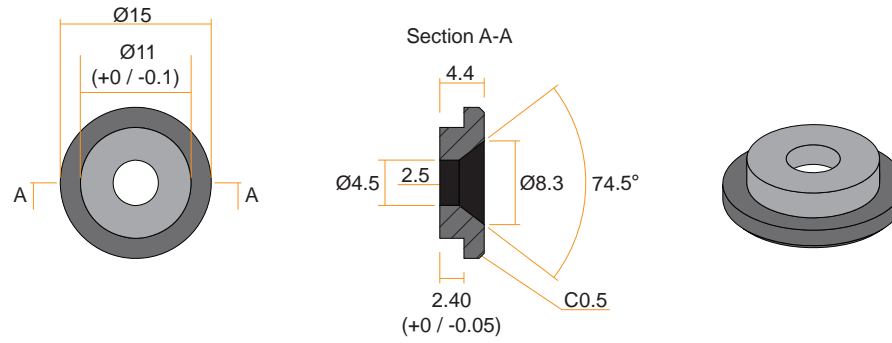
**C19 - C20**

- ✓ low cost
- ✓ easy to lock
- ✓ secure





### VMS Mounting Button

 x 3 +  x 3  
**M4 Screw**  
 - Flat head  
 - M4x10mm  
**PEG**



### VMB Mounting Bracket

 x 4 +  x 2  
**M3.2 Screw**  
 - Flat head  
 - M3.2x6mm  
**Bracket**

