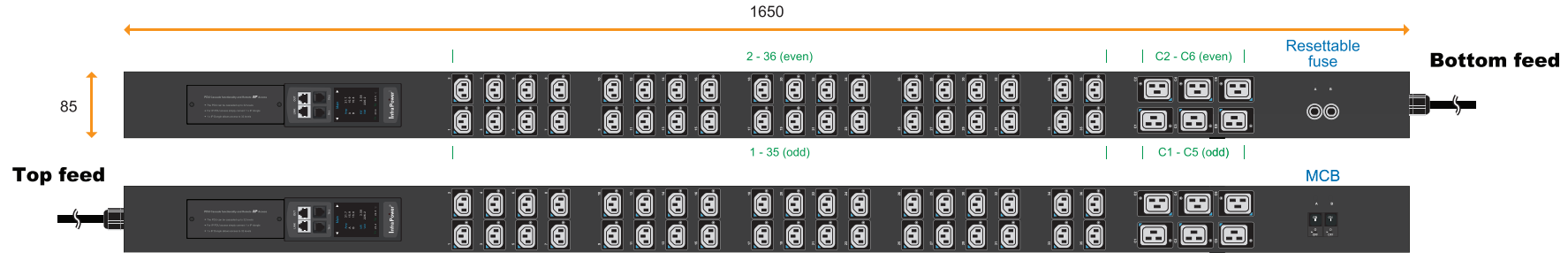


1-Phase switched PDU specification drawing

230V 16A / 20A / 32A PDU : C13 x 36 + C19 x 6

unit : mm



Circuit Protection	Code
Fuse	F
MCB	CR



IEC 60309 Inlet

32A model :	Circuit Protection
V36C13/6C19-32A-WS/ F _EN/3 B -1	Resettable Fuse x 2
V36C13/6C19-32A-WS/ CR _EN/3 T -1	1-pole MCB x 2

Input Rating : 32Amp, 230V
Cordset : 3 meter 4.0mm sq. H05V V-F cordset
Protection : 16A resettable fuse or 16A hydraulic MCB x 2
Circuit A : Output 16A max., C13 #1-35 + C19 #C1-C5 (odd)
Circuit B : Output 16A max., C13 #2-36 + C19 #C2-C6 (even)
Weight : Net 10.15 Kg / Gross 12.08 Kg

PDU Feed	Code
Bottom	B
Top	T



Open end

20A model :	Circuit Protection
V36C13/6C19-20A-WS/ F _OE/3 B -1	Resettable Fuse x 1
V36C13/6C19-20A-WS/ CR _OE/3 T -1	1-pole MCB x 1

Input Rating : 20Amp, 230V
Cordset : 3 meter 2.5mm sq. H05V V-F cordset
Protection : 20A resettable fuse or 20A hydraulic MCB x 1
Circuit : Output 20A max., C13 #1-36 + C19 #C1-C6
Weight : Net 9.39 Kg / Gross 11.32 Kg

Chassis Color	Code
Black	1
White	2
Red	3
Blue	4
Green	5
Orange	6
Yellow	7
Purple	8



IEC 60309 Inlet

16A model :	Circuit Protection
V36C13/6C19-16A-WS/ F _EN/3 B -1	Resettable Fuse x 1
V36C13/6C19-16A-WS/ CR _EN/3 T -1	1-pole MCB x 1

Input Rating : 16Amp, 230V
Cordset : 3 meter 1.5mm sq. H05V V-F cordset
Protection : 16A resettable fuse or 16A hydraulic MCB x 1
Circuit : Output 16A max., C13 #1-36 + C19 #C1-C6
Weight : Net 9.32 Kg / Gross 11.25 Kg



IEC320 C20

16A model :	Circuit Protection
V36C13/6C19-16A-WS/ F _C20/3 B -1	Resettable Fuse x 1
V36C13/6C19-16A-WS/ CR _C20/3 T -1	1-pole MCB x 1

Input Rating : 16Amp, 230V
Cordset : 3 meter 1.5mm sq. H05V V-F cordset
Protection : 16A resettable fuse or 16A hydraulic MCB x 1
Circuit : Output 16A max., C13 #1-36 + C19 #C1-C6
Weight : Net 9.24 Kg / Gross 11.17 Kg

Standard color: Black

Operating Temperature : -5 to 60 °C
Storage Temperature : -25 to 65 °C
Operating Altitude : 0 to 2,000 m
Storage Altitude : 0 to 15,000 m
Humidity : 8 to 95% RH, non-condensing

Meter Features (WS Switched PDU)

Local Display : Field replaceable 2.8" color LCD with touchscreen
Bank Measurement : Voltage (V), Current (A), energy (kWh) & power factor
Outlet Control : Outlet Switch ON / OFF
Accuracy : ±1% Billing-grade
IP Access : via IP dongle, one IP Access up to 32 PDU Levels
Cascade : Up to 32 PDU under single IP address via IP dongle
SNMP : V2 / V3 via IP dongle
Sensor Port x 2 : Temp. Sensor / Temp. + Humid. Sensor

IP dongle (option)

- Dual LAN Network Failover
- 10/100 Ethernet & Gigabit Ethernet standard
- Enterprise IP Authentication, LDAPv3 / LDAPS, Active Directory®, RADIUS protocol

EMC Compliance : CE / EMC
Safety Compliance : CE / LVD & UKCA
Tested to EN 62368-1:2014 / A11:2017 standard
Tested to EN 60730-1:2016 / A1:2019 standard
Environment Compliance : RoHS3 & REACH

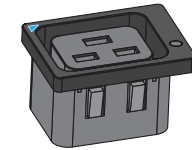
Product Dimension : 85 (W) x 90 (D) x 1650 (H) mm
Packing dimension : 110 (W) x 268 (D) x 2043 (H) mm

Lockable IEC Outlet

- Patented design for InfraPower PDU



C13 Outlet



C19 Outlet

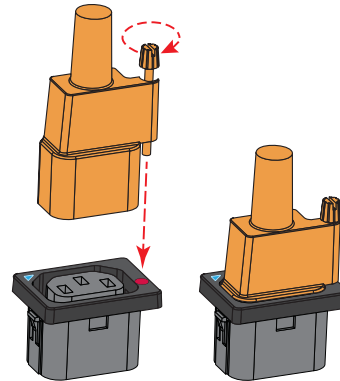
Lockable IEC Cable

- Patented design of InfraPower PDU
- Low cost, easy to lock & secure
- Proprietary for lockable IEC outlet
- Applicable to standard IEC outlet
- 6 colors & 3 lengths available
- Custom color & length on request
- VDE & ENEC approval

C13 - C14

H05VV-F 3G 0.75mm²

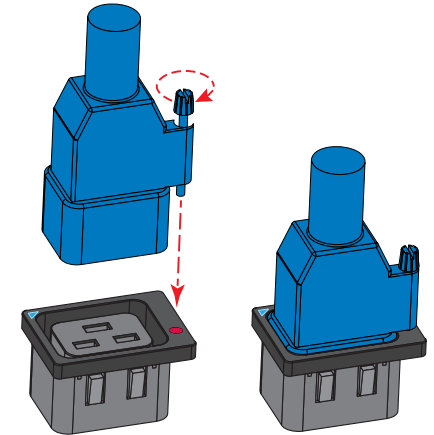
Cable Color	0.5M	1M	2M
Black	✓	✓	✓
Grey	✓	✓	✓
Red	✓	✓	✓
Blue	✓	✓	✓
Green	✓	✓	✓
Orange	✓	✓	✓



C19 - C20

H05VV-F 3G 1.5mm²

Cable Color	1M	2M
Black	✓	✓
Grey	✓	✓
Red	✓	✓
Blue	✓	✓
Green	✓	✓
Orange	✓	✓



C13 - C14



lockable cable



- ✓ low cost
- ✓ easy to lock
- ✓ secure

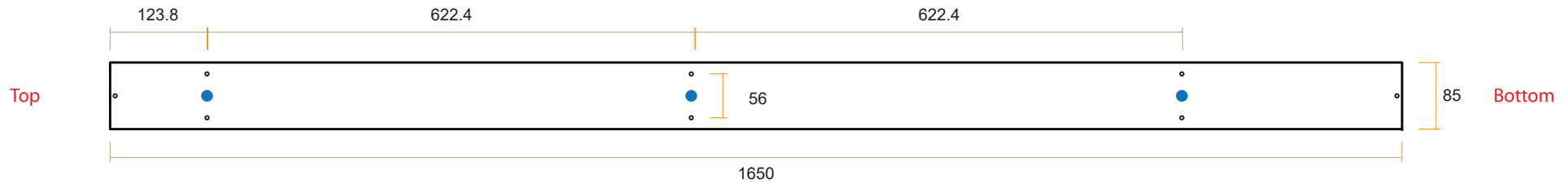
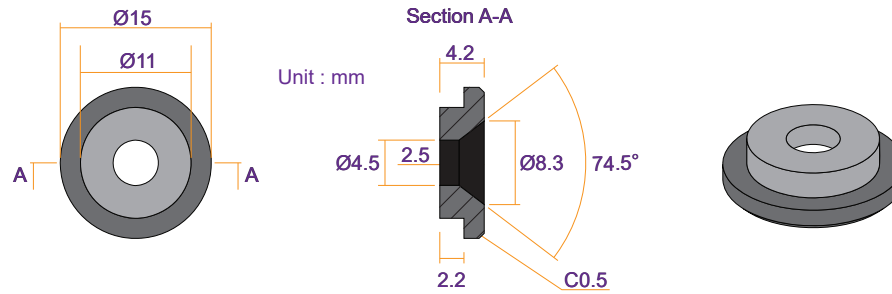


C19 - C20





VMS Mounting Button

 **x 3** +  **x 3**
M4 Screw
 - Flat head
 - M4x8mm
PEG



VMB Mounting Bracket

 **x 4** +  **x 2**
M3.2 Screw
 - Flat head
 - M3.2x6mm
Bracket

