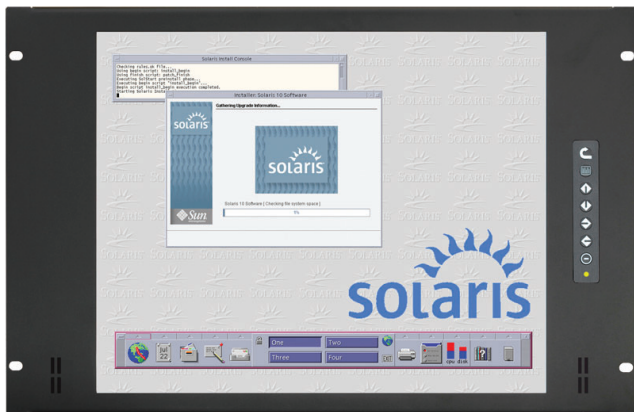


## User Manual

17" / 19" LED-backlit LCD and 20" LCD

1152 x 900 Native Resolution



**SP-717 / SP-819 / SP-920**

**SUN Rackmount Display Panel**



Options :

- DC power



REACH

Designed and manufactured by Austin Hughes

751

## Legal Information

First English printing, January 2024

Information in this document has been carefully checked for accuracy; however, no guarantee is given to the correctness of the contents. The information in this document is subject to change without notice. We are not liable for any injury or loss that results from the use of this equipment.

## Safety Instructions

**Please read all of these instructions carefully before you use the device. Save this manual for future reference.**

- Unplug equipment before cleaning. Don't use liquid or spray detergent; use a moist cloth.
- Keep equipment away from excessive humidity and heat. Preferably, keep it in an air-conditioned environment with temperatures not exceeding 40° Celsius (104° Fahrenheit).
- When installing, place the equipment on a sturdy, level surface to prevent it from accidentally falling and causing damage to other equipment or injury to persons nearby.
- When the equipment is in an open position, do not cover, block or in any way obstruct the gap between it and the power supply. Proper air convection is necessary to keep it from overheating.
- Arrange the equipment's power cord in such a way that others won't trip or fall over it.
- If you are using a power cord that didn't ship with the equipment, ensure that it is rated for the voltage and current labelled on the equipment's electrical ratings label. The voltage rating on the cord should be higher than the one listed on the equipment's ratings label.
- Observe all precautions and warnings attached to the equipment.
- If you don't intend on using the equipment for a long time, disconnect it from the power outlet to prevent being damaged by transient over-voltage.
- Keep all liquids away from the equipment to minimize the risk of accidental spillage. Liquid spilled on to the power supply or on other hardware may cause damage, fire or electrical shock.
- Only qualified service personnel should open the chassis. Opening it yourself could damage the equipment and invalidate its warranty.
- If any part of the equipment becomes damaged or stops functioning, have it checked by qualified service personnel.

## What the warranty does not cover

- Any product, on which the serial number has been defaced, modified or removed.
- Damage, deterioration or malfunction resulting from:
  - Accident, misuse, neglect, fire, water, lightning, or other acts of nature, unauthorized product modification, or failure to follow instructions supplied with the product.
  - Repair or attempted repair by anyone not authorized by us.
  - Any damage of the product due to shipment.
  - Removal or installation of the product.
  - Causes external to the product, such as electric power fluctuation or failure.
  - Use of supplies or parts not meeting our specifications.
  - Normal wear and tear.
  - Any other causes which does not relate to a product defect.
- Removal, installation, and set-up service charges.

## Regulatory Notices Federal Communications Commission (FCC)

This equipment has been tested and found to comply with the limits for a Class A digital device, pursuant to Part 15 of the FCC rules. These limits are designed to provide reasonable protection against harmful interference in business, industrial and commercial environments.

Any changes or modifications made to this equipment may void the user's authority to operate this equipment. This equipment generates, uses, and can radiate radio frequency energy and, if not installed and used in accordance with the instructions, may cause harmful interference to radio communications.

However, there is no guarantee that interference will not occur in a particular installation. If this equipment does cause harmful interference to radio or television reception, which can be determined by turning the equipment off and on, the user is encouraged to try to correct the interference by one or more of the following measures:

- Re-position or relocate the receiving antenna.
- Increase the separation between the equipment and receiver.
- Connect the equipment into an outlet on a circuit different from that to which the receiver is connected.

# Contents

## < Part. 1 > SP-717 / SP-819 / SP-920

1.1	Package Content	P.1
1.2	Structure Diagram & Dimension	P.1
1.3	Installation	P.5

## < Part. 2 > Specifications / OSD

2.1	Product Specifications	P.6
2.2	On-screen Display Operation ( OSD )	P.10

## < Part. 3 > Options

3.1	DC Power	P.14
-----	----------	------

## Before Installation

- It is very important to mount the equipment in a suitable cabinet or on a stable surface.
- Make sure the place has a good ventilation, is out of direct sunlight, away from sources of excessive dust, dirt, heat, water, moisture and vibration.

## Unpacking

The equipment comes with the standard parts shown in package content. Check and make sure they are included and in good condition. If anything is missing, or damaged, contact the supplier immediately.

## How To Clean Your LCD Monitor



### Caution :

- To avoid the risk of electric shock, make sure your hands are dry before unplugging your monitor from or plugging your monitor into an electrical outlet.
- When you clean your monitor, do not press down on the LCD screen. Pressing down on the screen can scratch or damage your display. Pressure damage is not covered under warranty.
- Use only cleansers made specifically for cleaning monitors and monitor screens. Cleansers not made to clean monitors and monitor screens can scratch the LCD display or strip off the finish.
- Do not spray any kind of liquid directly onto the screen or case of your monitor. Spraying liquids directly onto the screen or case can cause damage which is not covered under warranty.
- Do not use paper towels or abrasive pads to clean your monitor. Using an abrasive pad or any wood based paper product such as paper towels can scratch your LCD screen.

## Cleaning Your Monitor

To clean your LCD safely, please follow these steps :

- ① Disconnect the power cord.
- ② Gently wipe the surface using a clean, dry microfiber cloth. Use as little pressure as possible.

## Cleaning Tough Marks and Smudges

To remove tough marks and smudges, please follow these steps :

- ① Disconnect the power cord.
- ② Spray a small amount of non-abrasive cleanser on a microfiber cloth.



**Caution : Do not spray or apply any liquids directly onto the monitor. Always apply the solution to your microfiber cloth first, not directly on the parts you are cleaning.**

- ③ Gently wipe the surface. Use as little pressure as possible.
- ④ Wait until your monitor is completely dry before plugging it in and powering it up.

## < Part 1 >

### < 1.1 > Package Content

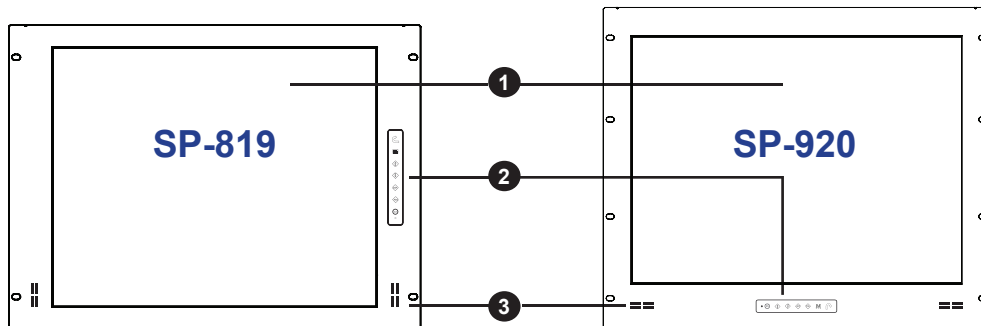
SP-717 / 819 / 920



- SP-717 or SP-819 or SP-920 X 1
- 6ft VGA cable X 1
- Power adapter X 1
- Power cord X 1

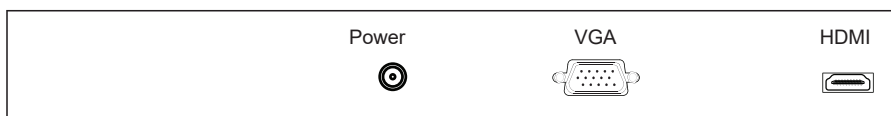
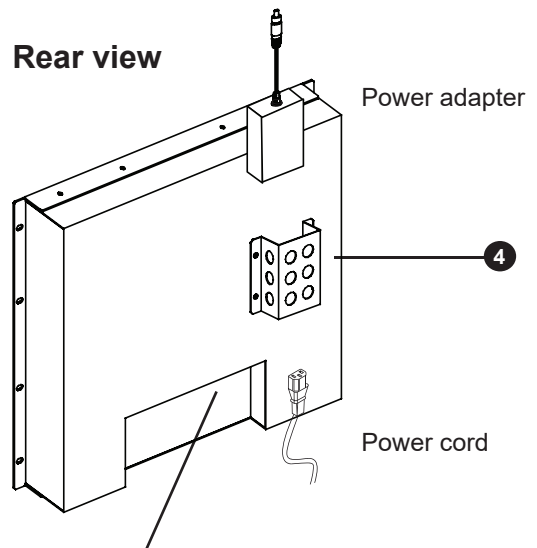
### < 1.2 > Structure Diagram

#### Front view



- ① LCD panel
- ② LCD membrane
- ③ Audio speaker ( optional )
- ④ Power adapter basket

#### Rear view

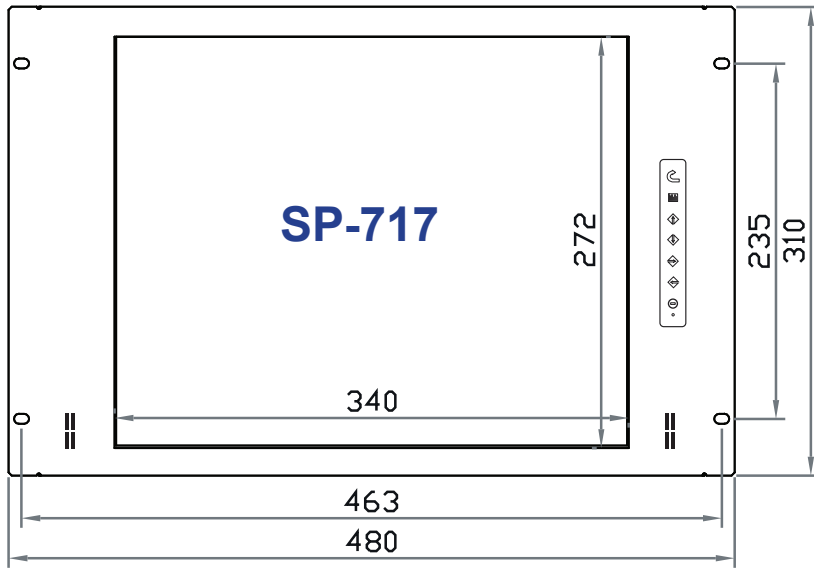


**Basic I/O : HDMI + VGA**

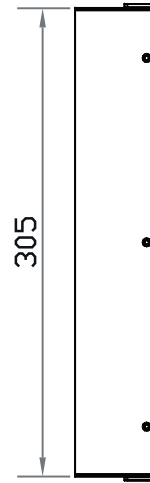
**Option : DC power**

## < 1.2 > Dimension - SP-717

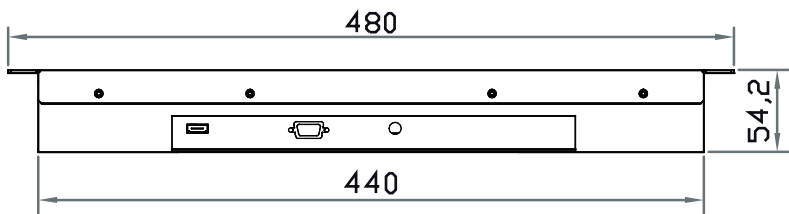
Front View



Side View



Bottom View

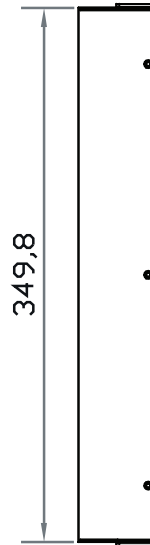
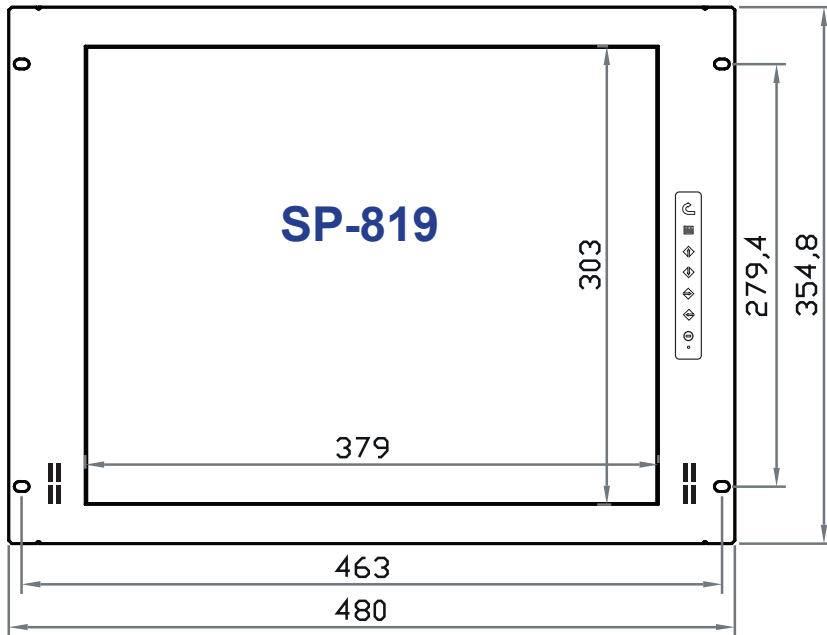


UNIT : mm  
1mm = 0.03937 inch

Model	Product Dimension (W x D x H)	Packing Dimension (W x D x H)	Net Weight	Gross Weight
SP-717	480 x 54.2 x 310 mm 18.9 x 2.1 x 12.2 inch	529 x 124 x 495 mm 20.8 x 4.9 x 19.5 inch	6.1 kg 13.4 lb	8.2 kg 18 lb

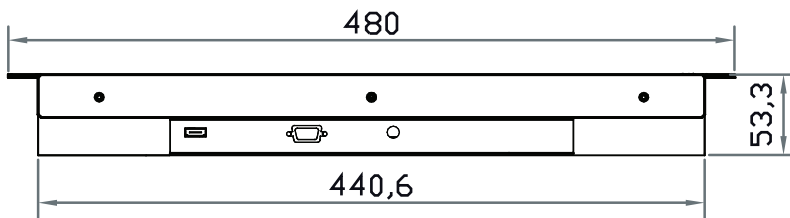
Front View

Side View



Bottom View

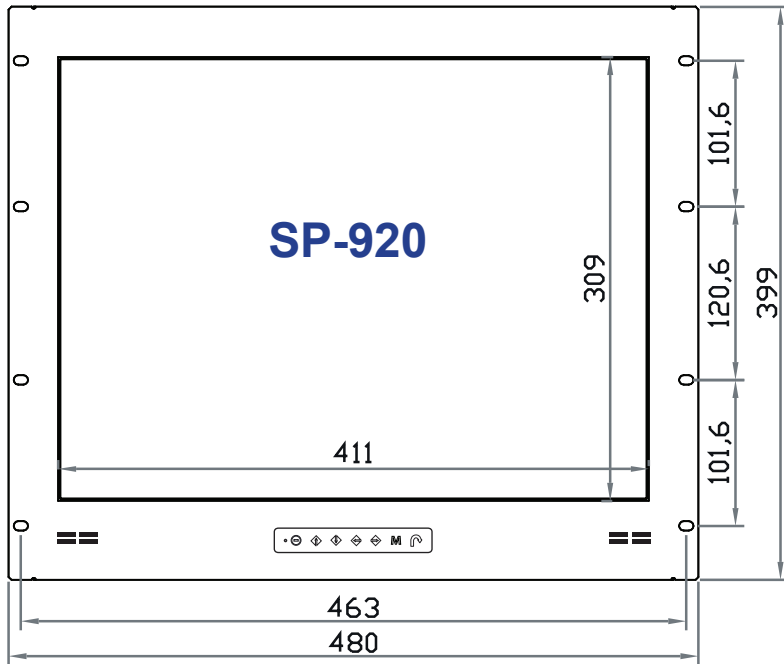
UNIT : mm  
1mm = 0.03937 inch



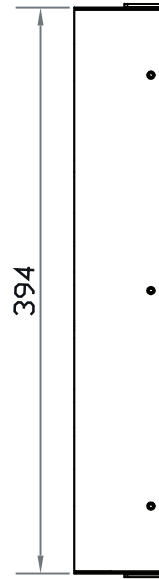
Model	Product Dimension (W x D x H)	Packing Dimension (W x D x H)	Net Weight	Gross Weight
SP-819	480 x 53.3 x 354.8 mm 18.9 x 2.1 x 14 inch	539 x 129 x 529 mm 21.2 x 5.1 x 20.8 inch	5.7 kg 12.5 lb	8 kg 17.6 lb

## < 1.2 > Dimension - SP-920

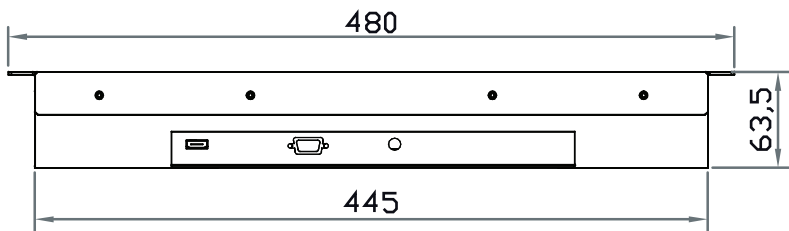
Front View



Side View



Bottom View

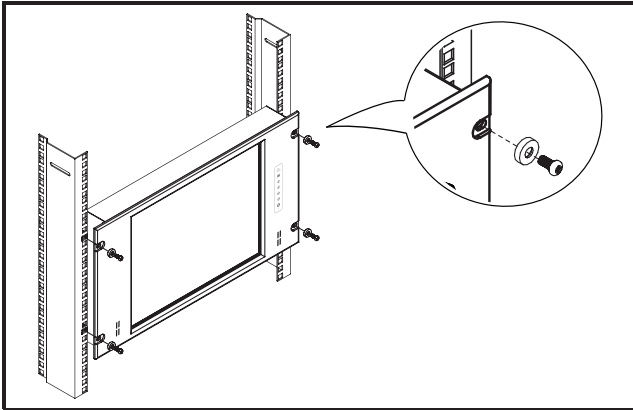


UNIT : mm  
1mm = 0.03937 inch

Model	Product Dimension (W x D x H)	Packing Dimension (W x D x H)	Net Weight	Gross Weight
SP-920	480 x 63.5 x 399 mm 18.9 x 2.5 x 15.7 inch	583 x 124 x 529 mm 23 x 4.9 x 20.8 inch	8.5 kg 19 lb	11 kg 24 lb



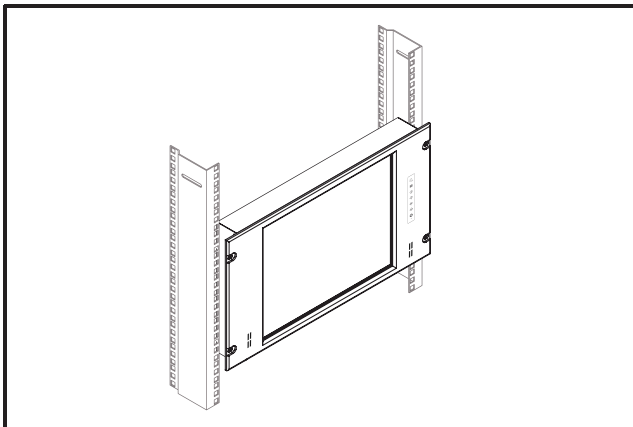
SP-717 / SP-819



Step 1

- Mount the display panel with M6 screw set.
- M6 screw x 4 pcs required ( Left & right side ).

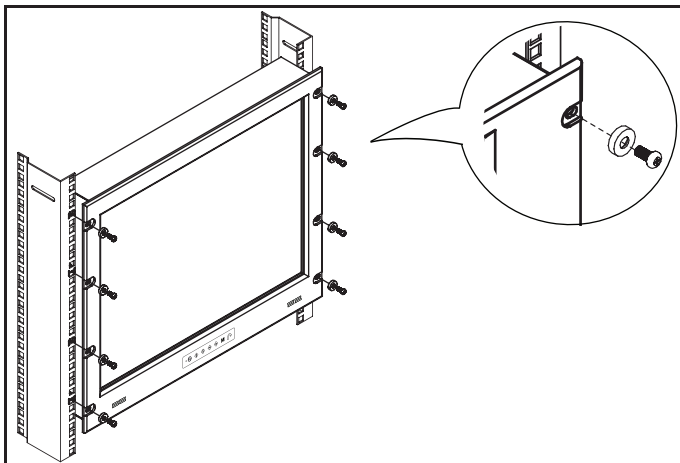
**M6 screw sets are not provided.**



Step 2

- Fix the LCD into the rack.

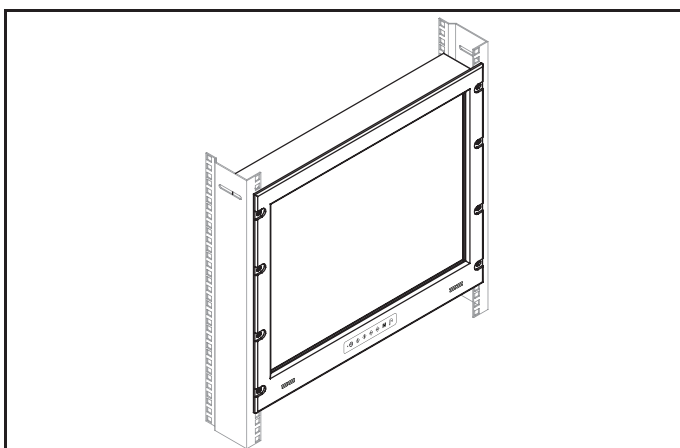
SP-920



Step 1

- Mount the display panel with M6 screw set.
- M6 screw x 8 pcs required ( Left & right side ).

**M6 screw sets are not provided.**



Step 2

- Fix the LCD into the rack.

< Part 2 >

< 2.1 > Product Specifications - SP-717 / SP-819

LED-backlit LCD Panel		SP-717	SP-819
Manufacturer		<b>AUO</b>	<b>AUO</b>
Panel Size ( diagonal )		17-inch TFT color LED-backlit LCD	19-inch TFT color LED-backlit LCD
Display pixel ( dots x lines )		1152 x 900 ( Direct )	1152 x 900 ( Direct )
		1280 x 1024 ( Native )	1280 x 1024 ( Native )
Brightness ( typ. )		250	250
Contrast Ratio ( typ. )		1000:1	1000:1
Color		16.7 M	16.7 M
Viewing Angle ( L/R/U/D )		85/85/80/80	85/85/80/80
Response Time ( ms )		5	5
Dot pitch ( mm )		0.264	0.294
Display Area ( mm )		337.92H x 270.33V	376.32H x 301.06V
Surface treatment	Haze 25%, Hard-coating		
Surface hardness		3H	3H
Backlight Type		LED	LED
MTBF ( hrs )		30,000	30,000

Video Connectivity	Digital	HDMI	HDMI 1.4, HDCP 1.4
	Analog	VGA	Analog 0.7Vp-p
	Plug & Play	DVI / VGA	VESA EDID structure 1.3
	Synchronization	VGA	Separate, Composite & SOG

Power	Power Supply	Range	Auto-sensing 100 to 240VAC, 50 / 60Hz
	Power Consumption	Screen ON	Max. 22W
		Power saving mode	Max. 2W
		Power button OFF	Max. 1W

Compliance	EMC	FCC & CE
	Safety	CE / LVD & UKCA
	Environmental	RoHS3 & REACH / WEEE

Environmental Conditions	Operating	Temperature	0 to 55°C degree
		Humidity	10~90%, non-condensing
		Altitude	16,000 ft
	Storage / Non-operating	Temperature	-20 to 60°C degree
		Humidity	5~90%, non-condensing
		Altitude	40,000 ft
		Shock	10G acceleration (11ms duration)
		Vibration	10~300Hz 0.5G RMS random


Physical Specification		SP-717	SP-819
	Product ( W x D x H )	480 x 54.2 x 310 mm 18.9 x 2.1 x 12.2 inch	480 x 53.3 x 354.8 mm 18.9 x 2.1 x 14 inch
	Packing ( W x D x H )	529 x 124 x 495 mm 20.8 x 4.9 x 19.5 inch	539 x 129 x 529 mm 21.2 x 5.1 x 20.8 inch
	Net Weight	6.1 kg / 13.4 lb	5.7 kg / 12 lb
	Gross Weight	8.2 kg / 18 lb	8 kg / 17.6 lb

\* All dimensions stated are subject to change if options are selected / integrated to base model part codes

Applicable Format	DVI-D / VGA Input	PC Signal	1600 x 1200 x 60Hz	
			1400 x 1050 x 60Hz	
			1440 x 900 x 60Hz	
			1360 x 768 x 60Hz	
			1280 x 1024 x 60 / 75Hz	
			1280 x 960 x 60Hz	
			1280 x 768 x 60 / 75Hz	
			1152 x 864 x 75Hz	
			1024 x 768 x 60 / 70 / 75Hz	
			848 x 480 x 60Hz	
			800 x 600 x 60 / 72 / 75Hz	
			720 x 400 x 70Hz	
			640 x 480 x 60 / 72 / 75Hz	
			640 x 400 x 70Hz	
	640 x 350 x 70Hz			
	HDMI Input	PC Signal	Same as VGA	
			Video Signal	720p : 50 / 60Hz
				480p : 60Hz
		576p : 50Hz		
		Audio Signal	2ch Linear PCM ( 32 / 44.1 / 48 KHz )	

< Part 2 >

< 2.1 > Product Specifications - SP-920

<b>LCD Panel</b>	Manufacturer		
	Panel Size ( diagonal )	20-inch TFT color LCD	
	Display pixel ( dots x lines )	1152 x 900 ( Direct )	
		1600 x 1200 ( Native )	
	Brightness ( typ. )	300	
	Contrast Ratio ( typ. )	800:1	
	Color	16.7 M	
	Viewing Angle ( L/R/U/D )	89/89/89/89	
	Response Time ( ms )	16	
	Dot pitch ( mm )	0.255	
	Display Area ( mm )	408.00H x 306.00V	
	Surface treatment	Anti-glare, Hard-coating	
	Surface hardness	3H	
	Backlight Type	CCFL	
MTBF ( hrs )	45,000		

<b>Video Connectivity</b>	Digital	HDMI	HDMI 1.4, HDCP 1.4
	Analog	VGA	Analog 0.7Vp-p
	Plug & Play	DVI / VGA	VESA EDID structure 1.3
	Synchronization	VGA	Separate, Composite & SOG

<b>Power</b>	Power Supply	Range	Auto-sensing 100 to 240VAC, 50 / 60Hz
	Power Consumption	Screen ON	Max. 45W
		Power saving mode	Max. 2W
		Power button OFF	Max. 1W

<b>Compliance</b>	EMC	FCC & CE
	Safety	CE / LVD & UKCA
	Environmental	RoHS3 & REACH / WEEE

<b>Environmental Conditions</b>	Operating	Temperature	0 to 55°C degree
		Humidity	10~90%, non-condensing
		Altitude	16,000 ft
	Storage / Non-operating	Temperature	-20 to 60°C degree
		Humidity	5~90%, non-condensing
		Altitude	40,000 ft
		Shock	10G acceleration (11ms duration)
		Vibration	10~300Hz 0.5G RMS random

<b>Physical Specification</b>	Product ( W x D x H )	480 x 63.5 x 399 mm 18.9 x 2.5 x 15.7 inch
	Packing ( W x D x H )	583 x 124 x 529 mm 23 x 4.9 x 20.8 inch
	Net Weight	8.5 kg / 19 lb
	Gross Weight	11 kg / 24 lb

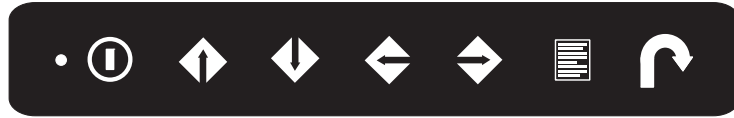
\* All dimensions stated are subject to change if options are selected / integrated to base model part codes






<b>Applicable Format</b>	DVI-D / VGA Input	PC Signal	1600 x 1200 x 60Hz
			1400 x 1050 x 60Hz
			1440 x 900 x 60Hz
			1360 x 768 x 60Hz
			1280 x 1024 x 60 / 75Hz
			1280 x 960 x 60Hz
			1280 x 768 x 60 / 75Hz
			1152 x 864 x 75Hz
			1024 x 768 x 60 / 70 / 75Hz
			848 x 480 x 60Hz
			800 x 600 x 60 / 72 / 75Hz
			720 x 400 x 70Hz
			640 x 480 x 60 / 72 / 75Hz
			640 x 400 x 70Hz
	640 x 350 x 70Hz		
HDMI Input	PC Signal	Same as VGA	
		Video Signal	720p : 50 / 60Hz
			480p : 60Hz
576p : 50Hz			
	Audio Signal	2ch Linear PCM ( 32 / 44.1 / 48 KHz )	

## < 2.2 > On-screen Display Operation ( OSD )





### SP-717 / SP-819

- Power light
- Green = On
- Orange = Power saving



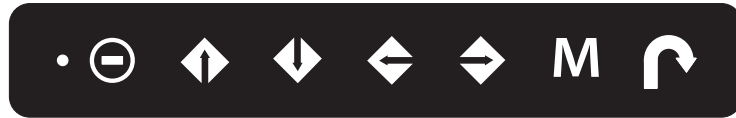
Membrane Switch	Function
	Power on / off LCD
	Display the OSD menu
	Scrolls through menu options and adjusts the displayed control (To auto adjustment by pressing the button  for 5 seconds)
	Exit the OSD screen Toggle analog, digital & video connection (DVI-D and video options only)

Select another video input (only available for models with multiple video input) :

- ( a ) Press the button  to call up the on-screen video mode on top right corner.
- ( b ) Use up/down arrow   to the select the video input
- ( c ) Press the button  to confirm the selection

**SP-920**

- Power light
- Green = On
- Orange = Power saving



Membrane Switch	Function
	Power on / off LCD
	Display the OSD menu
	Scrolls through menu options and adjusts the displayed control (To auto adjustment by pressing the button  for 5 seconds)
	Exit the OSD screen Toggle analog, digital & video connection (DVI-D and video options only)

**Select another video input (only available for models with multiple video input) :**

- ( a ) Press the button to call up the on-screen video mode on top right corner.
- ( b ) Use up/down arrow to the select the video input
- ( c ) Press the button to confirm the selection

## < 2.2 > On-screen Display Operation ( OSD )

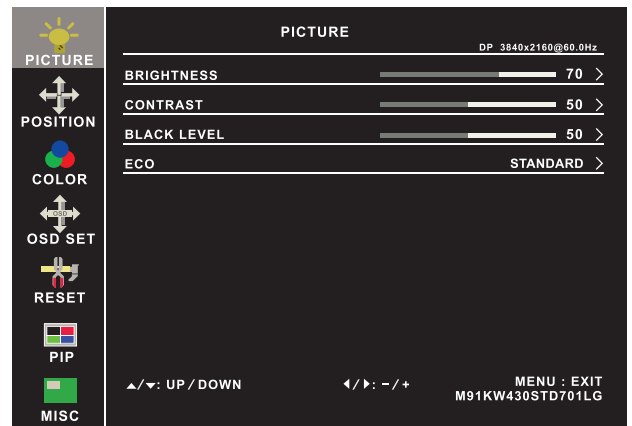
### ① Picture

Brightness : Adjust the screen brightness

Contrast : Adjust the difference between the image background ( black level ) and the foreground ( white level )

Black level : Adjust background black level of the screen

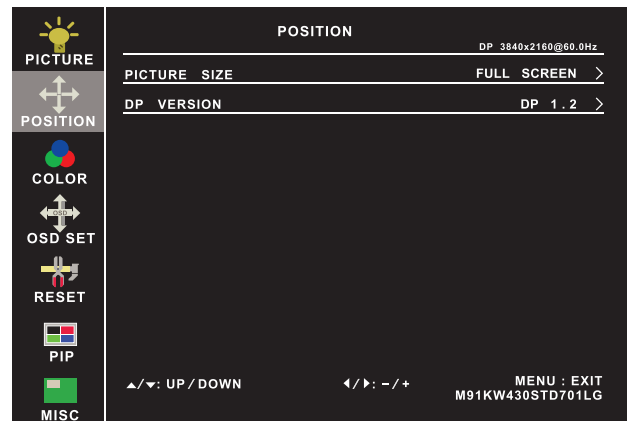
Eco : Screen in power saving mode



### ② Position

Picture size : Adjust the image size  
- Full Screen / 4:3 / 5:4 / Pixel to Pixel

DP version : Select the DP version



### ③ Color

Color temperature : User / Warm / Cool / 5400k mode and Red / Green / Blue color balance

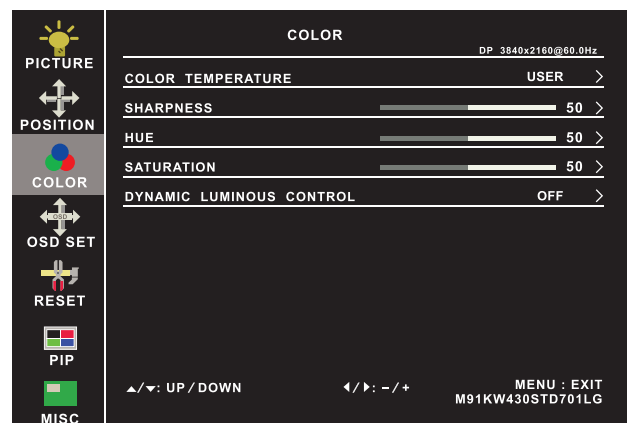
Sharpness : Adjust the image from weak to sharp

Hue : Adjust the screen hue value

Saturation : Adjust the saturation of the image color

Dynamic

luminous control : Control the dynamic brightness



### ④ OSD Set

Language : Select the language in which the OSD menu is displayed - English

OSD H-Position : Align the screen image left or right

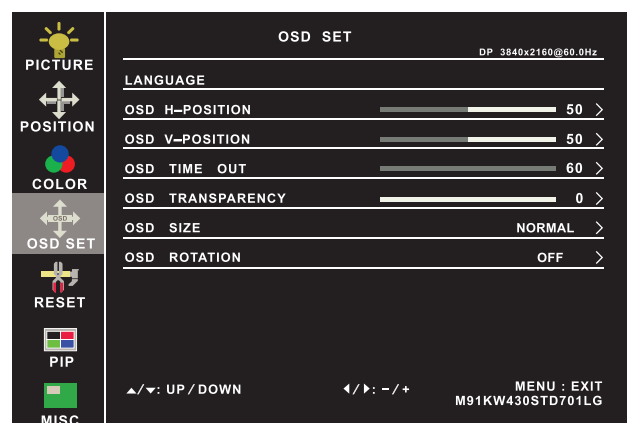
OSD V-Position : Align the screen image up or down

OSD time out : Adjust the screen timeout

OSD transparency : Adjust the screen transparency

OSD size : Adjust the screen size - Normal / Small

OSD rotation : Rotate the screen - 90° / 180° / 270°



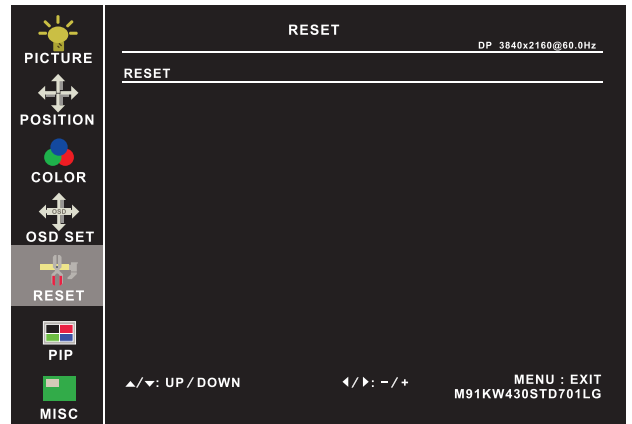


## < 2.2 > On-screen Display Operation ( OSD )

SP-717 / 819 / 920

### ⑤ Reset

Reset : Return the adjustment back to factory setting



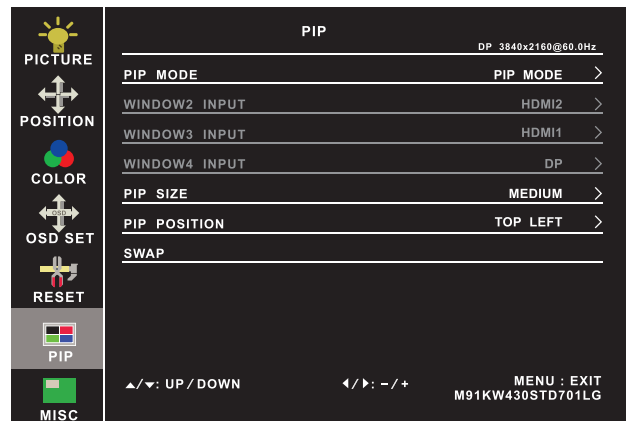
### ⑥ PIP ( Not Applicable to F17 / MF17 )

PIP mode : Enter into PIP / PBP setting - PIP MODE / PBP 2WIN ( Main screen + 1 sub screen ) / PBP 3WIN ( Main screen + 2 sub screen ) / PBP 4WIN ( Main screen + 3 sub screen )  
Select the signal input of each sub screen

PIP size : Adjust the size of the Sub screen  
- Small / Medium / Large / Huge

PIP position : Adjust the position of the Sub screen  
- Top Left / Top Right / Bottom Left / Bottom Right

Swap : Swap the input signal of PIP / PBP sub screen



### ⑦ MISC

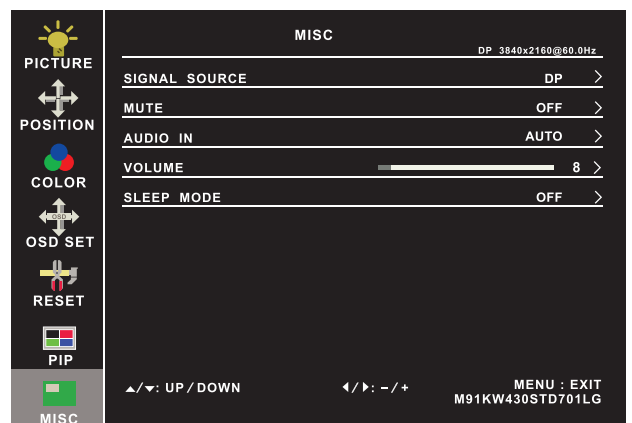
Signal source : Select the signal source - DP / HDMI1 / HDMI2

Mute : Turn off the surrounding sound

Audio in : Auto / Line in / DP

Volume : Adjust the volume of sound

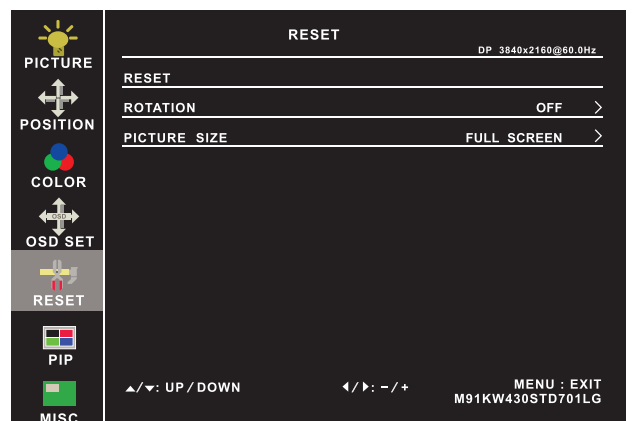
Sleep mode : Set the off time - 10 min / 20 min / 30 min / 50 min / 60 min / 120 min / 240 min



### Options on Reset page

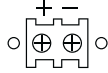
Rotation : Rotate the image in Full screen or 1:1  
- 90° / 180° / 270°

Picture size : Adjust the image size in Full screen or 1:1



### < Part 3 >

### < 3.1 > Options : DC Power



Model	12V	24V	48V	125V	250V
<b>Input rating</b>					
Input voltage:	12-Volt	24-Volt	48-Volt	110-Volt	300-Volt
Input range:	9 ~ 18V	18 ~ 36V	36 ~ 75V	66 ~ 160V	180 ~ 425V
Input current					
- No load	50 mA	50 mA	50 mA	35 mA	10 mA
- Full load	4950 mA	2450 mA	1220 mA	749 mA	600 mA
<b>Output rating</b>					
Output voltage:	12-Volt	12-Volt	12-Volt	12-Volt	12-Volt
Output current:	4.16A	4.16A	4.16A	6.25A	12.5A
<b>Efficiency</b>	84%	85%	85%	91%	86%

\*\*\* For DC power option :

( 1 ) If the unit with LCD, **earthing** may be required

Intentionally  
Left  
Blank

The company reserves the right to modify product specifications without prior notice and assumes no responsibility for any error which may appear in this publication.

All brand names, logo and registered trademarks are properties of their respective owners.

Copyright 2024 Austin Hughes Electronics Ltd. All rights reserved.

UM-CV-751-SP-717-Q124V1

[www.austin-hughes.com](http://www.austin-hughes.com)