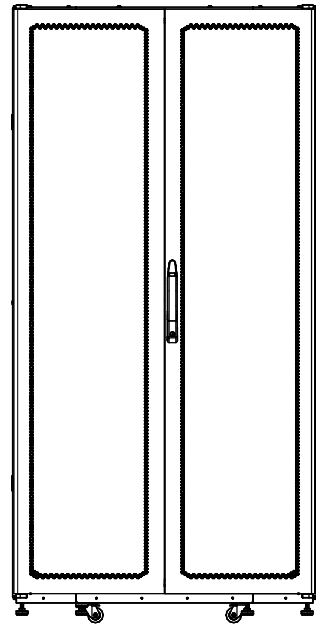
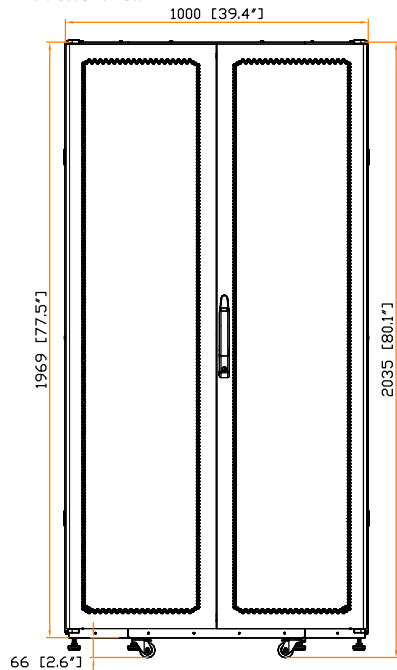


Front view

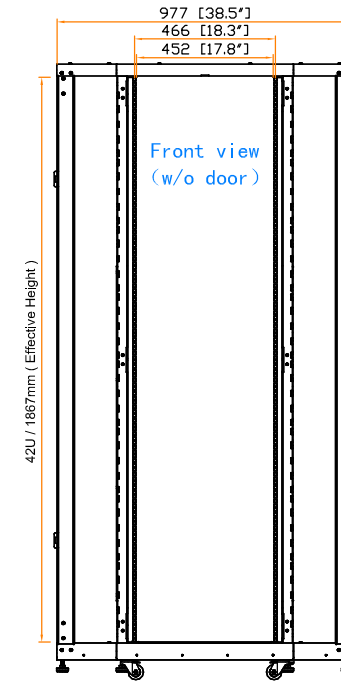
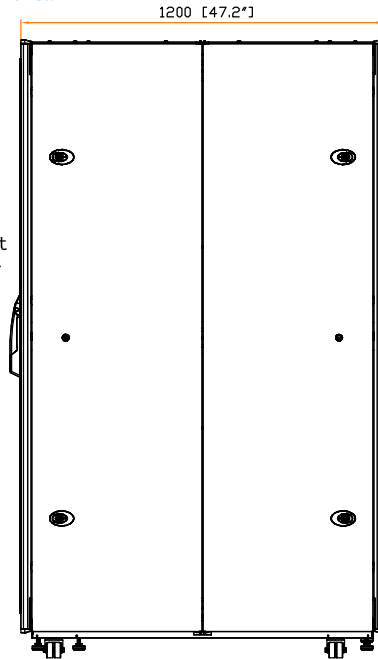
Rear view

Side view

Side view(w/o side panel)



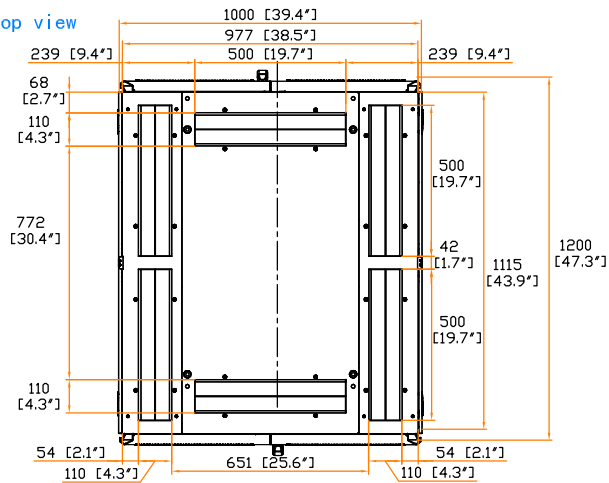
Front door



Front view (w/o door)

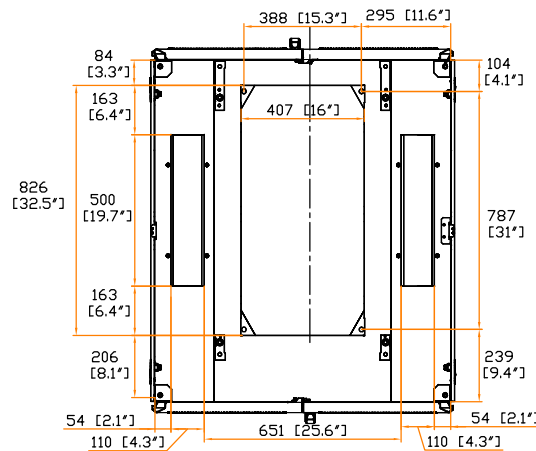
Cable Tray

Top view



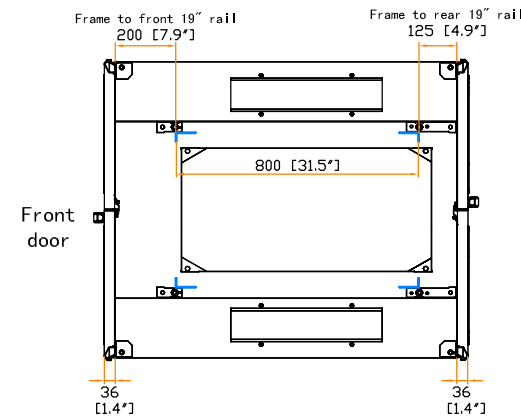
Front door

Bottom view



Front door

19" rail position



Front door



The company reserves the right to modify product specifications without prior notice and assumes no responsibility for any error which may appear in this publication.

Copyright 2020 Austin Hughes Electronics Ltd. All rights reserved.

Dimension (Overall) : 1000 (W) x 1200 (D) x 2035 (H) mm / 39.4 (W) x 47.2 (D) x 80.1 (H) in.

Dimension (Effective) : 977 (W) x 1128 (D) x 1867 (H) mm / 38.5 (W) x 44.4 (D) x 73.5 (H) in.

Net Weight : - kg / - lb

Color : Black (RAL-9005) or White (RAL-9016)

Static Loading : 1200 kg / 2640 lb

Environmental : RoHS3 & REACH compliant by SGS

Unit : mm [in.]