

Assembly Guide



CR 2-post rack
Package A - Cable Ring

ISO-Certified
9001 14001

Designed and manufactured by Austin Hughes

Package Content

Assembly Steps

- **Main Frame**
- **Cable Ring**
- **Front Hinged Cover**
- **Top Shielding Panel**

The company reserves the right to modify product specifications without prior notice and assumes no responsibility for any error which may appear in this publication.

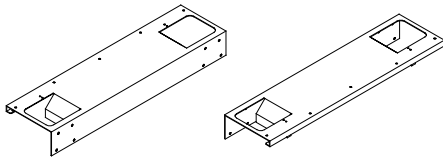
All brand names, logo and registered trademarks are properties of their respective owners.

Copyright 2014 Austin Hughes Electronics Ltd.

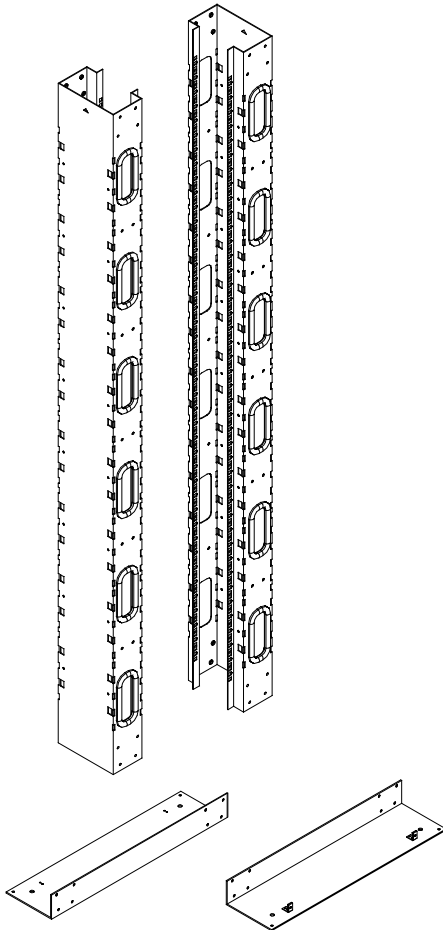
All rights reserved.

Package Content

1 Top stand x 1 pair

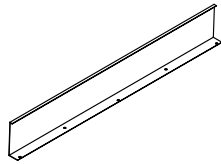


2 MTG x 1 pair

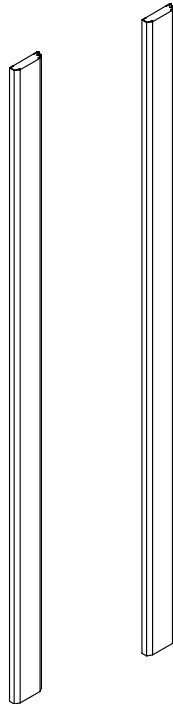


3 Bottom stand x 1 pair

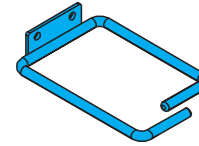
4 Top shielding panel x 1



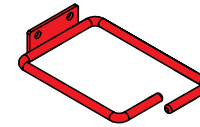
5 Front hinged cover x 1 pair



Left Cable Ring x 5
Color : Dark



Right Cable Ring x 5
Color : Dark



* Cable Ring only for CR package A



M6x10mm screw x 52
(for main frame & cable ring)

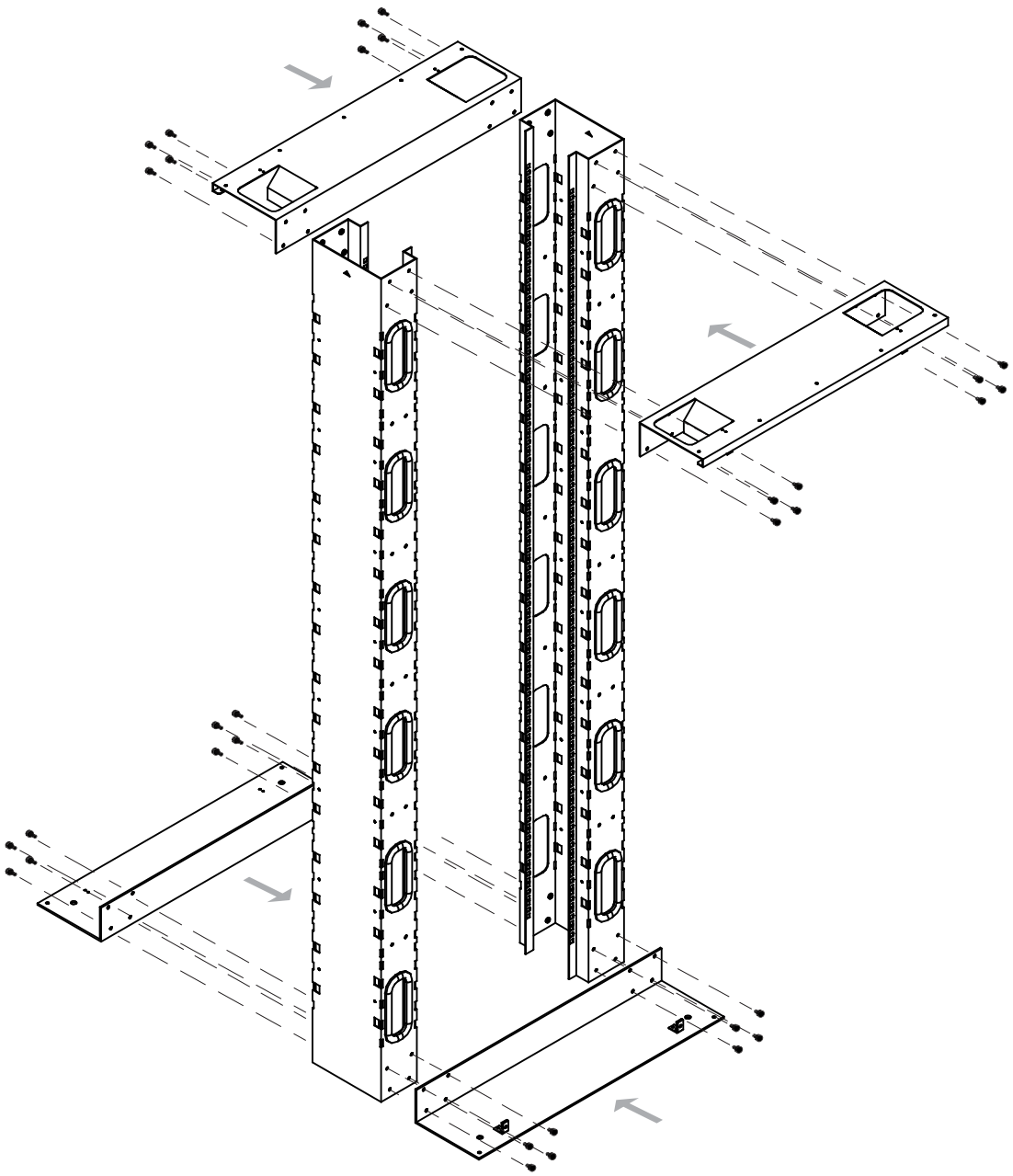


Screw x 5
(for top shielding panel)




M6 nut x 20
(for cable ring)

Assembly - Main Frame

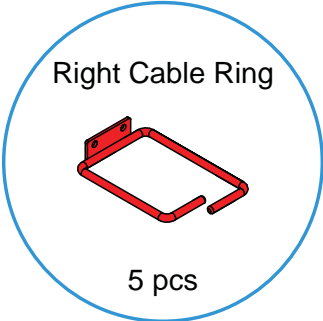
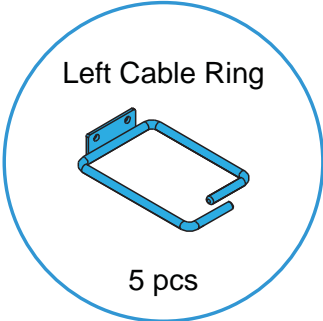


M6x10mm screw

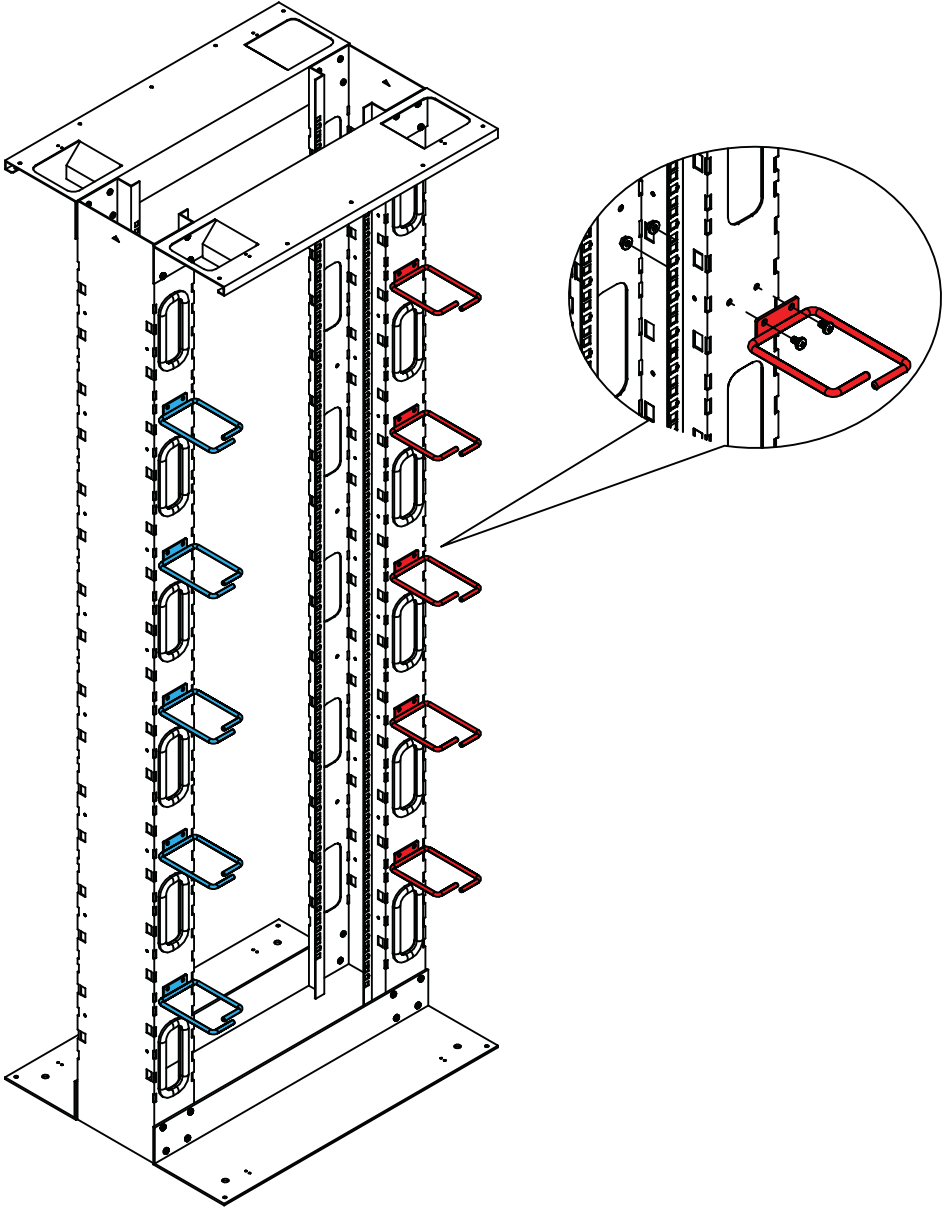
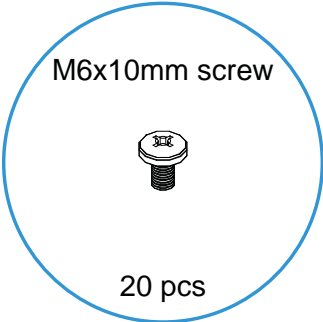
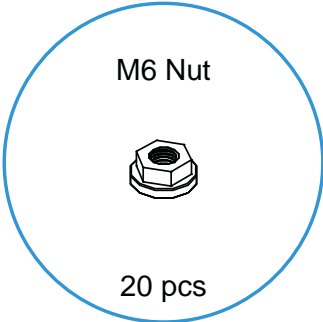


32 pcs

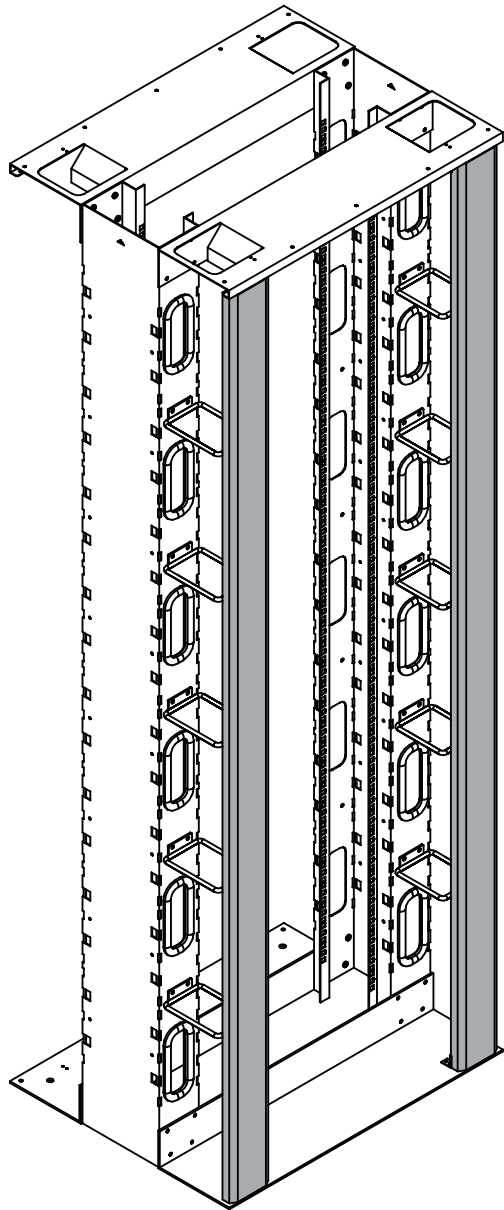
Assembly - Cable Ring



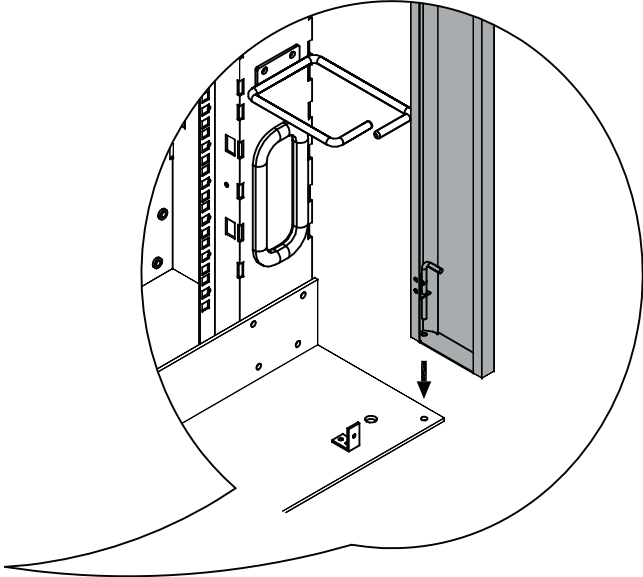
* Cable Ring only for CR package A



Assembly - Front Hinged Cover



* No screw hardware required



Assembly - Top Shielding Panel

