

NSR / NR server rack 600W

Assembly Guide



ISO-Certified
9001 14001

Designed and manufactured by Austin Hughes

Package Content

- **Carton A**
- **Carton B**

Assembly Steps - Main Frame

- **Main Frame**
- **Castors & Feets**
- **Horizontal Supports**
- **19” Mounting Rails**

Assembly Steps - Claddings

- **Door Hinges**
- **Front Door**
- **Rear Door**
- **Side Panels**
- **Earthing Kits**

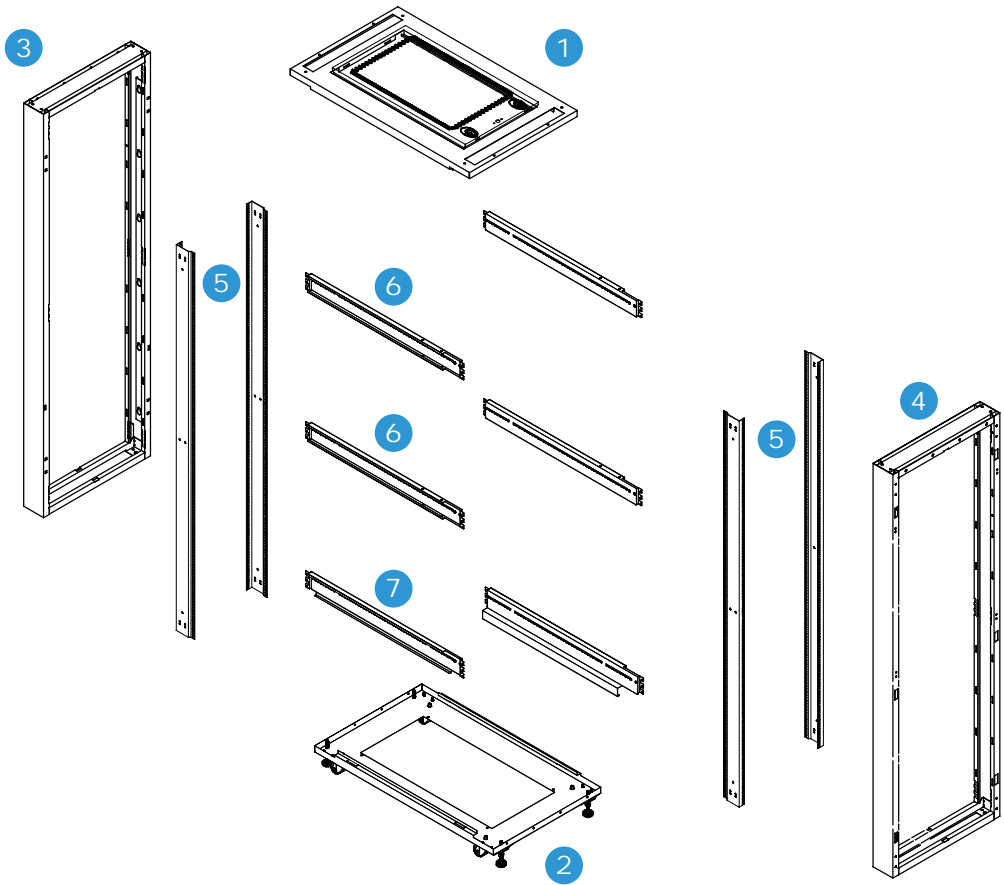
The company reserves the right to modify product specifications without prior notice and assumes no responsibility for any error which may appear in this publication.

All brand names, logo and registered trademarks are properties of their respective owners.

Copyright 2015 Austin Hughes Electronics Ltd.

All rights reserved.

Carton A - Package Content

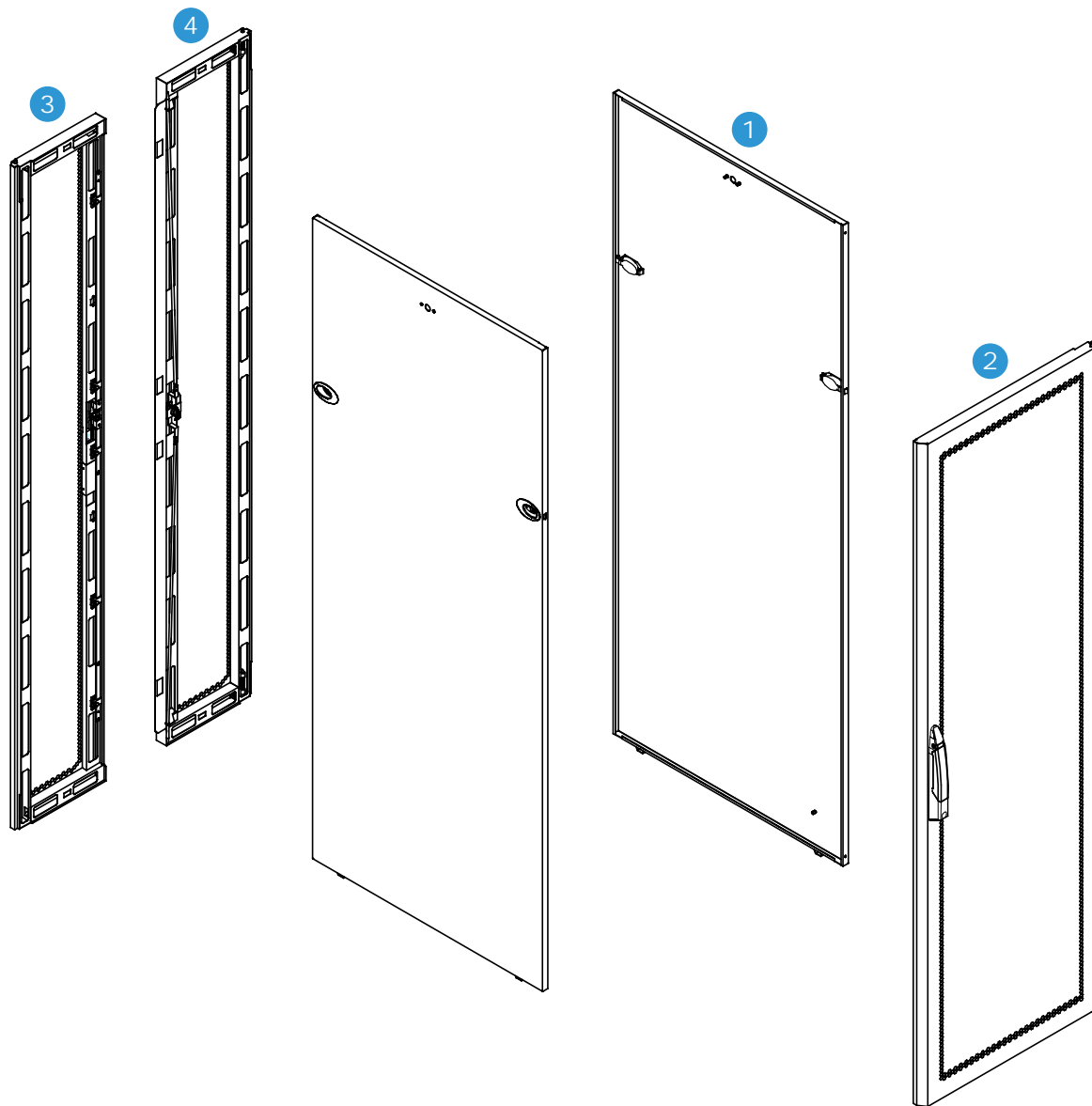


- 1 Top Frame w/ Vented Cover x 1 pc
- 2 Bottom Frame x 1 pc
- 3 Rear Frame w/ PDU Mounting Bracket x 1 pc
- 4 Front Frame x 1 pc
- 5 19" Mounting Rail x 2 pairs
- 6 Top & Middle Horizontal Support x 2 pairs
- 7 Bottom Horizontal Support x 1 pair

Assemble Hardware

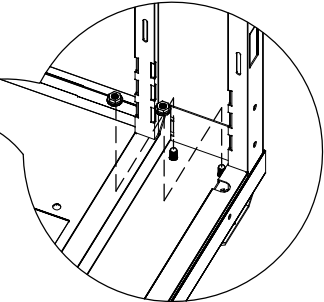
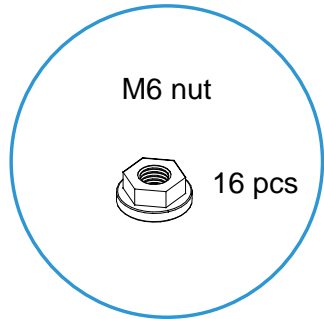
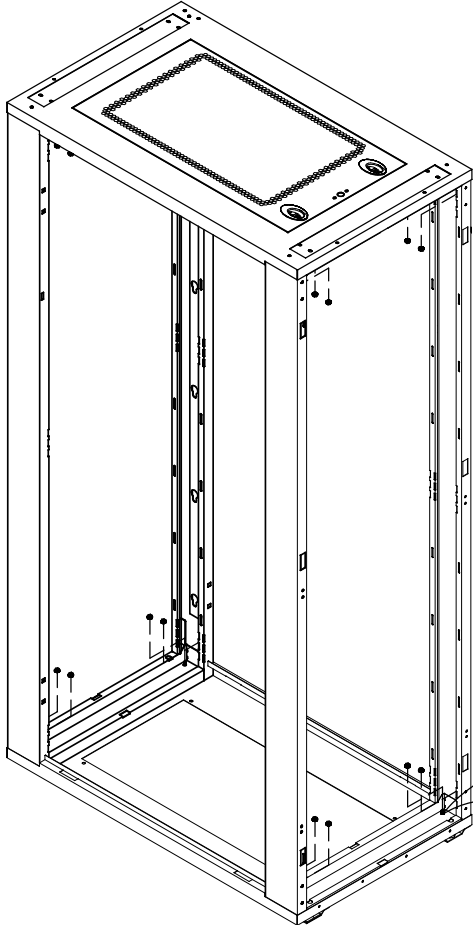
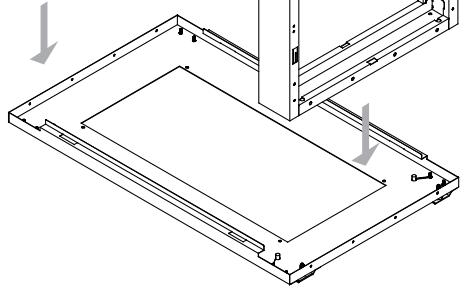
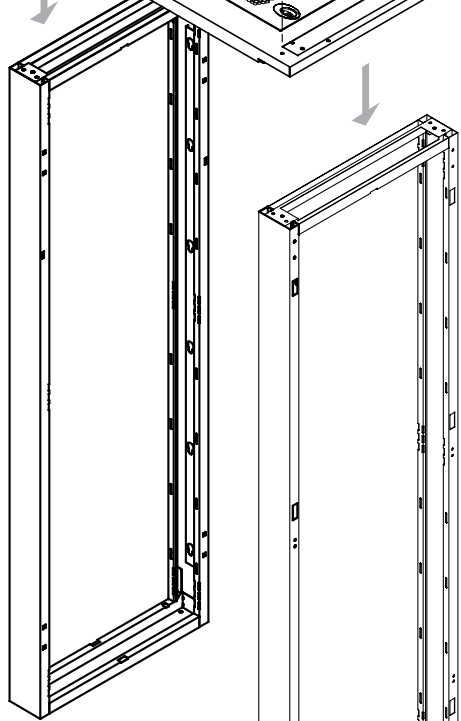
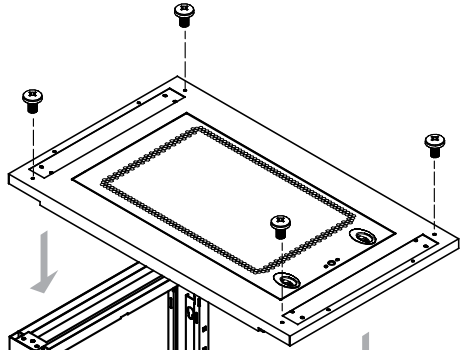
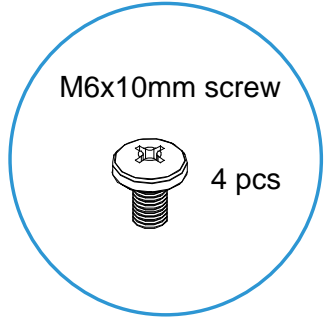
	Medium Duty Castor x 4 Feet x 4		M6 nut x 44
	NSR / NR Door Hinge x 6		M6x12mm screw x 24
	Door Stopper x 2		M6x10mm screw x 4
	Left Clip (Blue) x 12 Right Clip (Yellow) x 12		M5x12.5mm screw x 12
	Earth Kit x 2		M4x10mm screw x 2
	Locking Bar Roller x 6		M4x6mm screw x 10
	Door Key x 2		M6 screw fixings pack of 50 (For Rackmount Device)

Carton B - Package Content

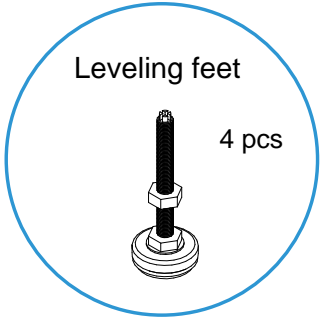
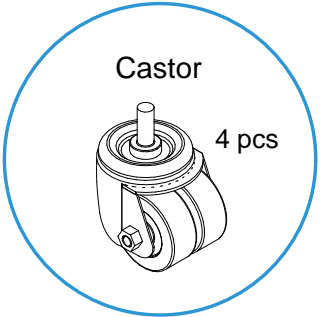
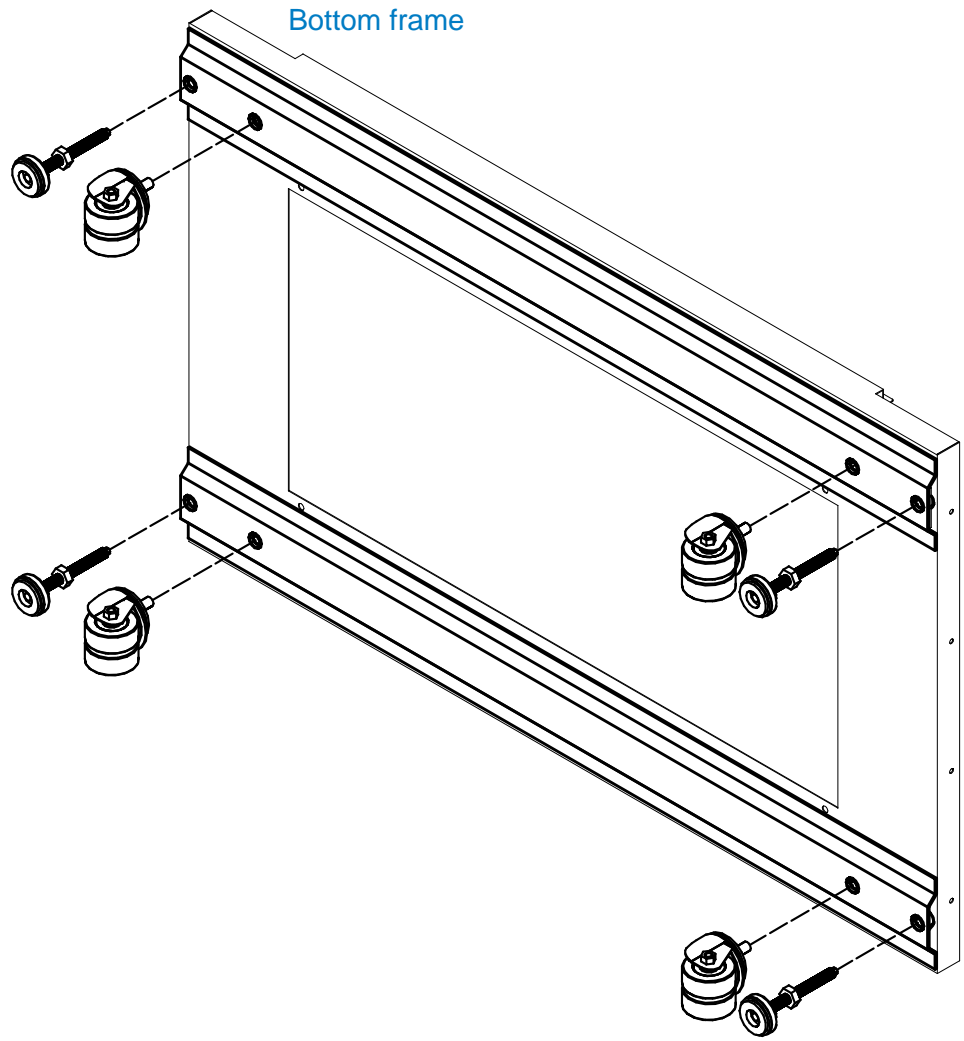


- 1 Side Panel x 1 pair
- 2 Front Door x 1 pc
- 3 Rear Door, Right Section w/ Handle x 1 pc
- 4 Rear Door, Left Section w/ Locking Bar x 1 pc

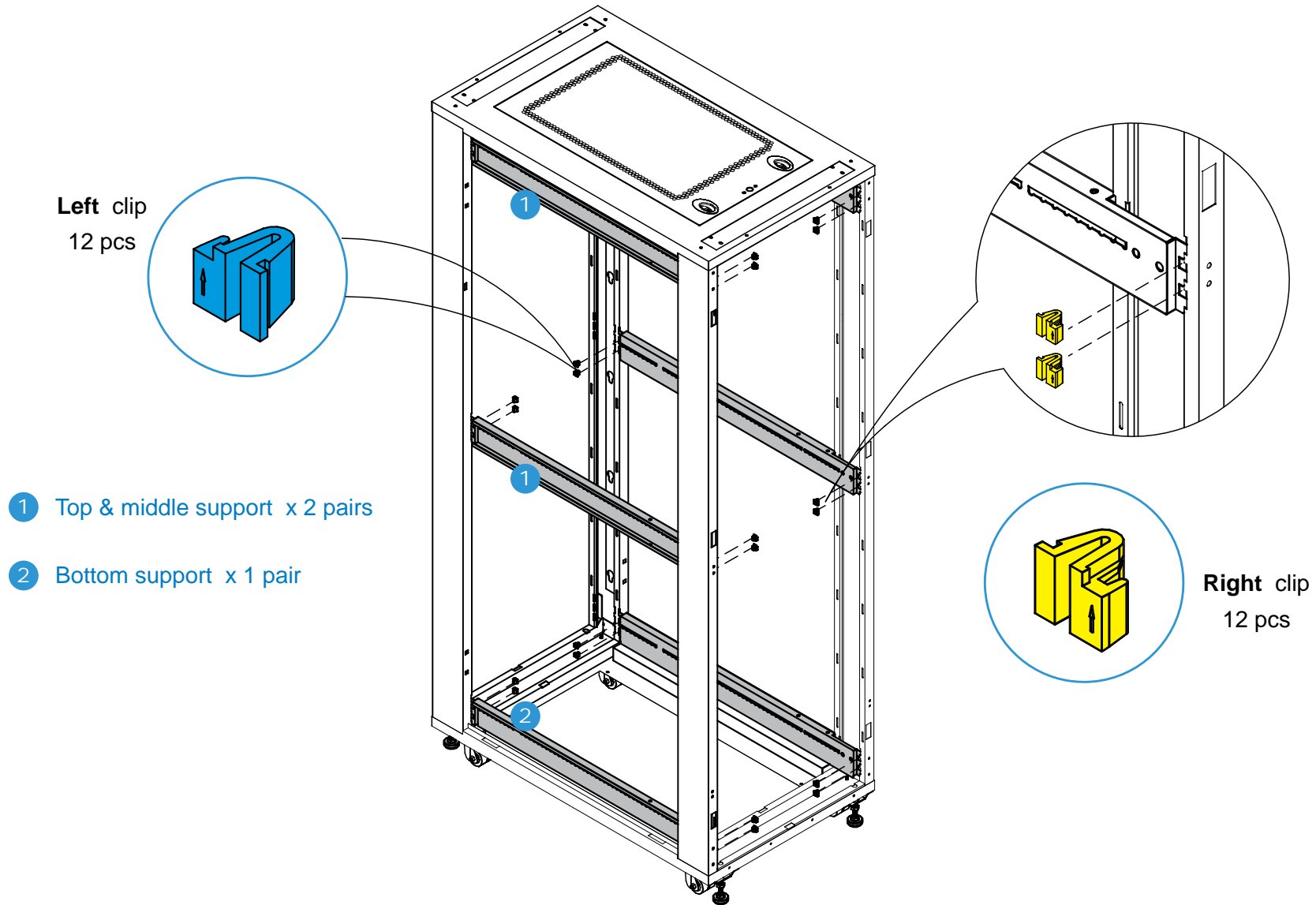
Assembly - Main frame



Assembly - Castors & Feet



Assembly - Horizontal Supports

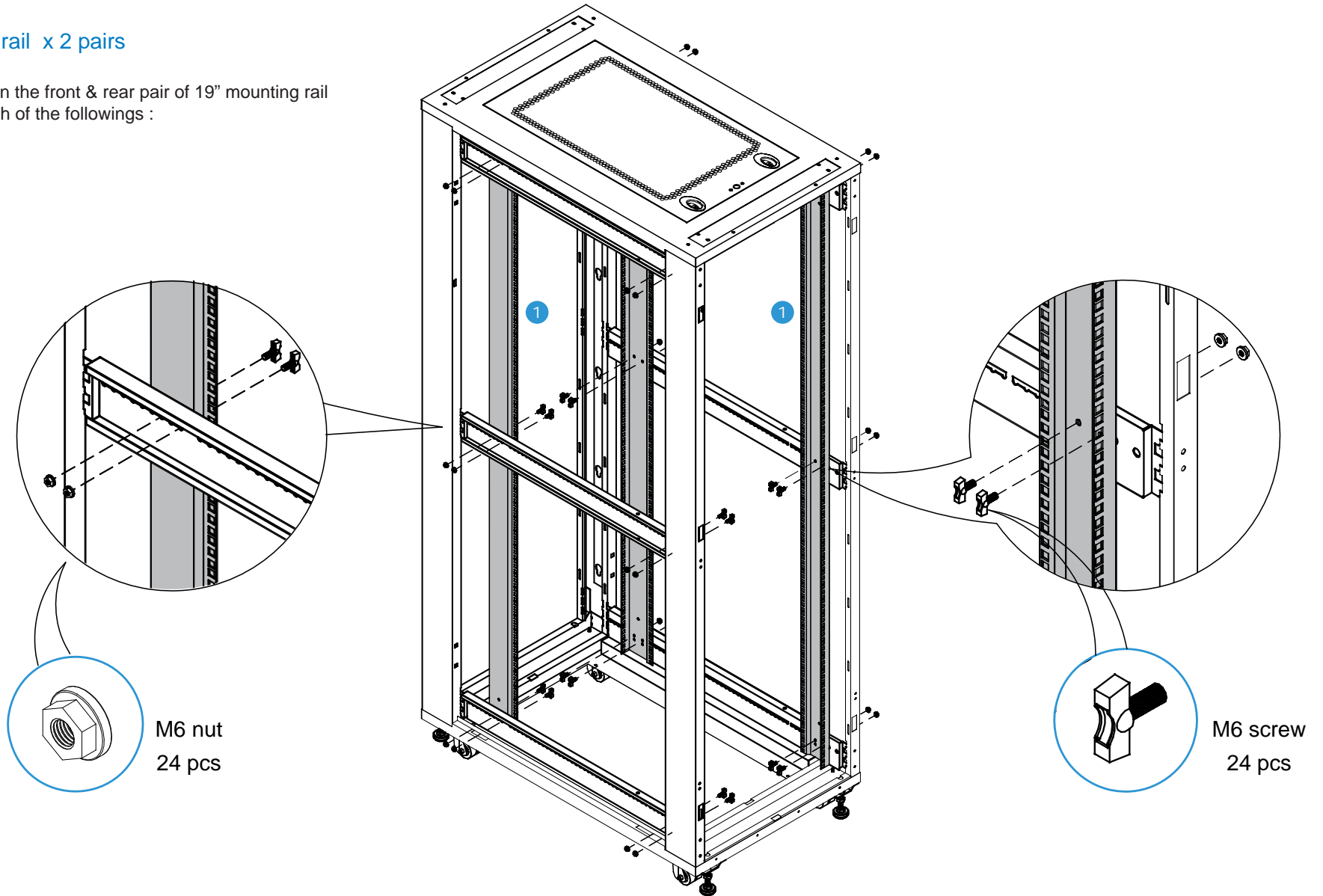


Assembly - 19" Mounting Rails

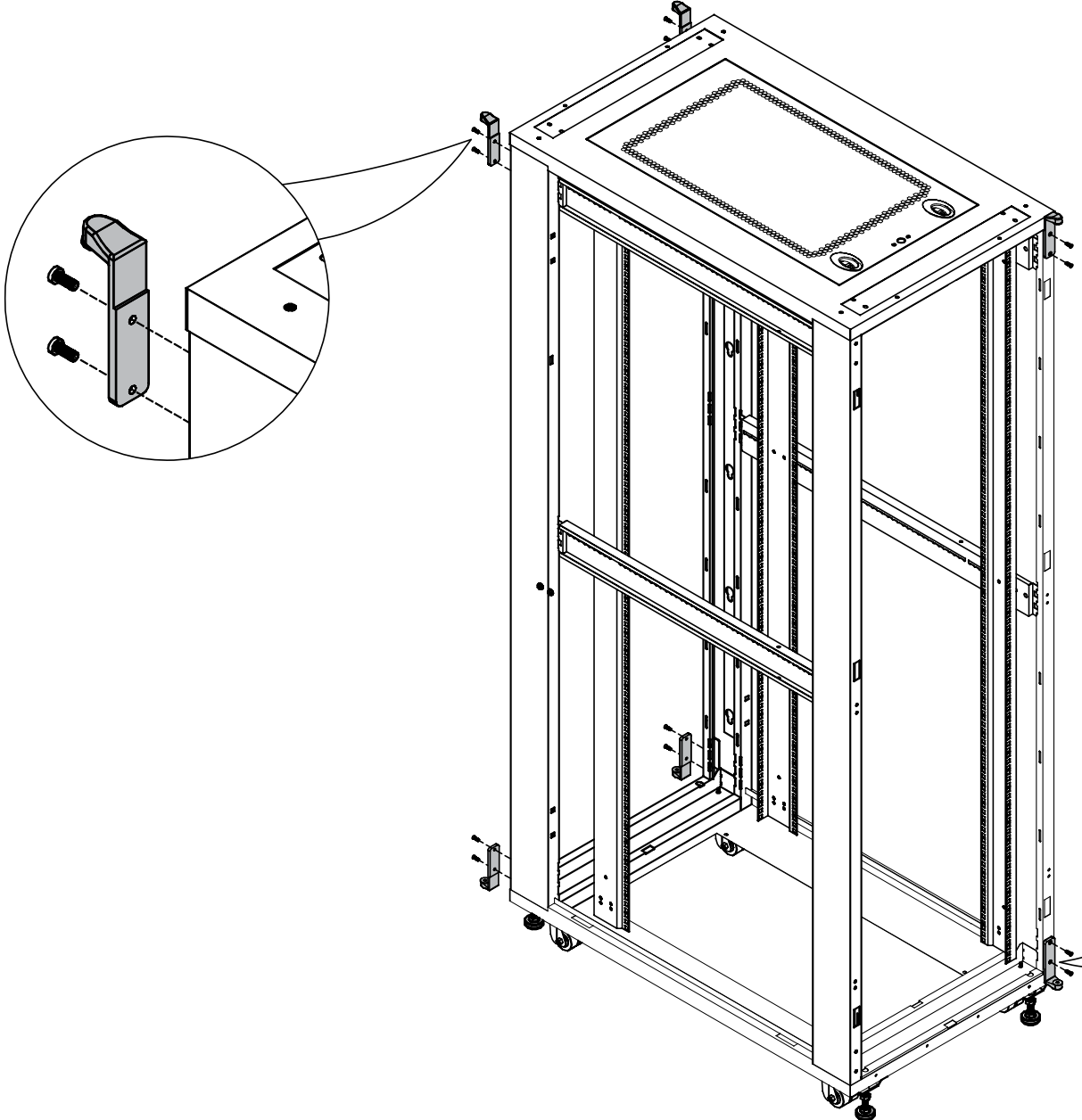
1 19" mounting rail x 2 pairs

** The distance between the front & rear pair of 19" mounting rail is subject to the depth of the followings :

- the rack
- the equipment
- the shelf



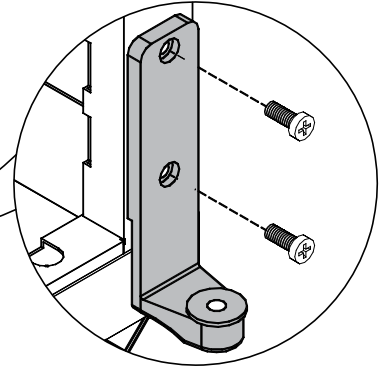
Assembly - Door Hinges



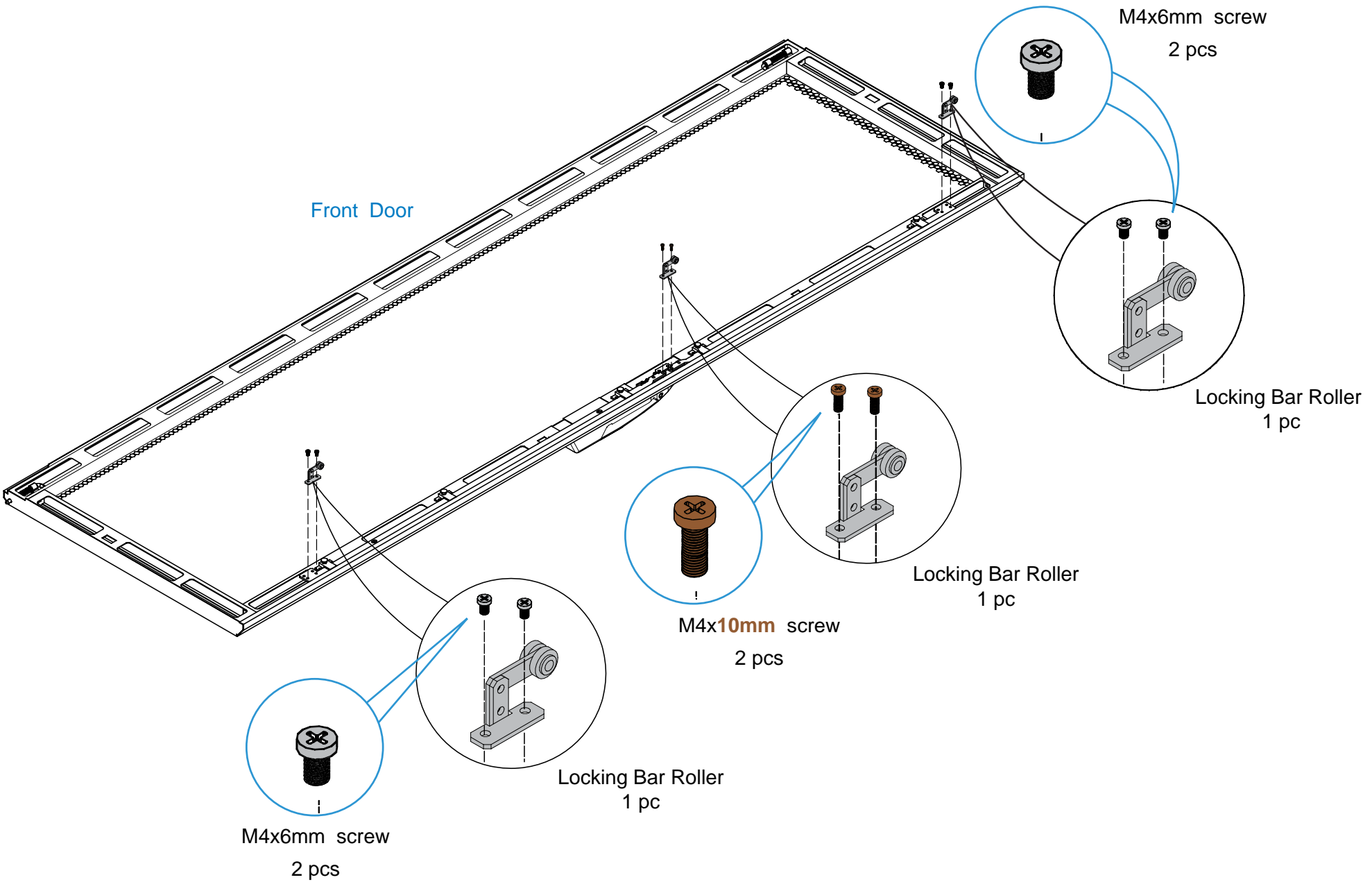
Door Hinges
6 pcs

A circular callout containing a diagram of a door hinge. The hinge is an L-shaped metal bracket with two pre-drilled holes on the vertical leg and one hole on the horizontal leg. The text "Door Hinges" and "6 pcs" is positioned above the diagram.

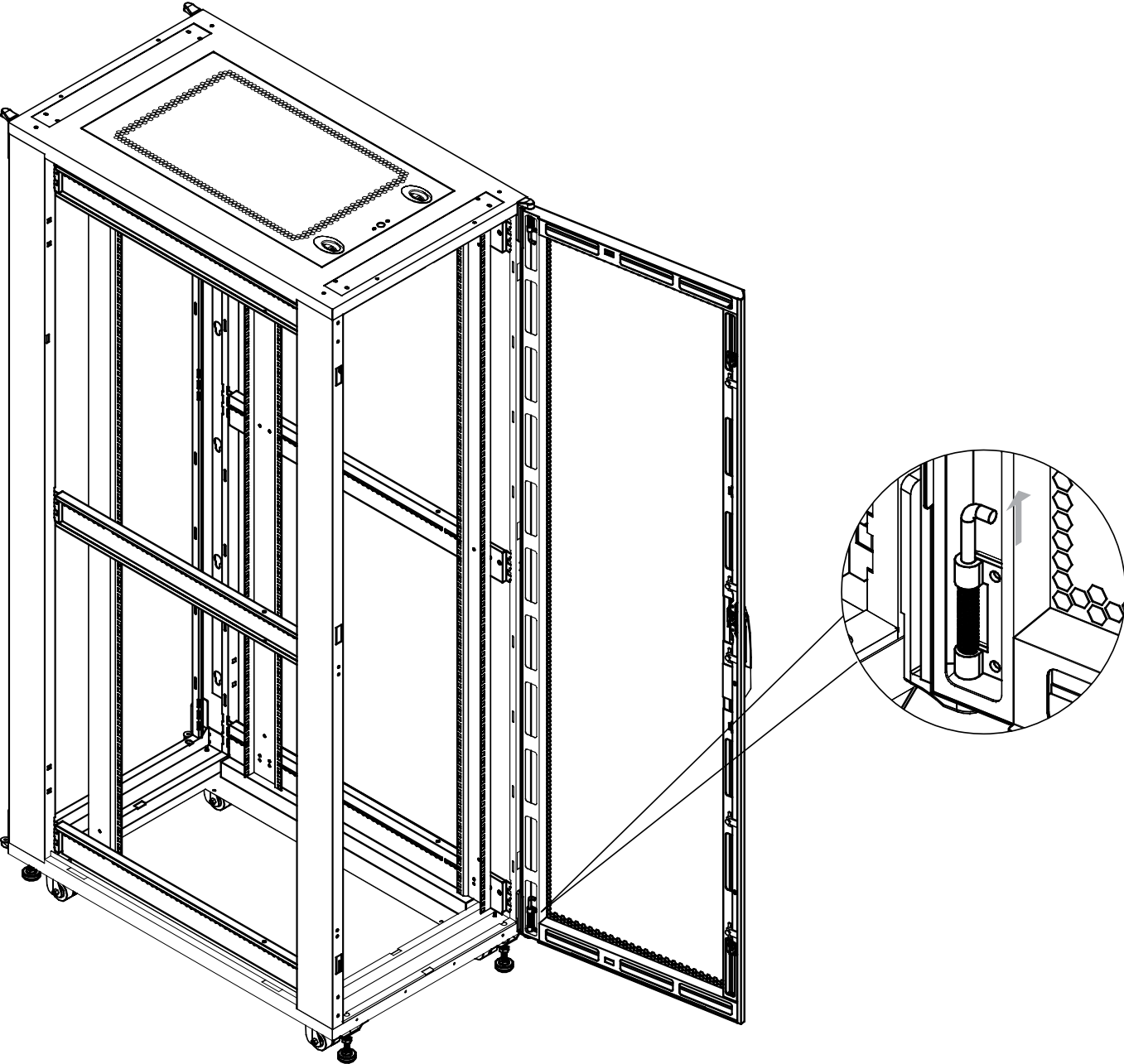
M5x12.5mm
screw
12 pcs

A circular callout containing a diagram of an M5x12.5mm screw. The screw is a standard hex-head screw with a Phillips cross on its head. The text "M5x12.5mm screw" and "12 pcs" is positioned above the diagram.

Assembly - Front Door

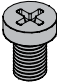


Assembly - Front Door

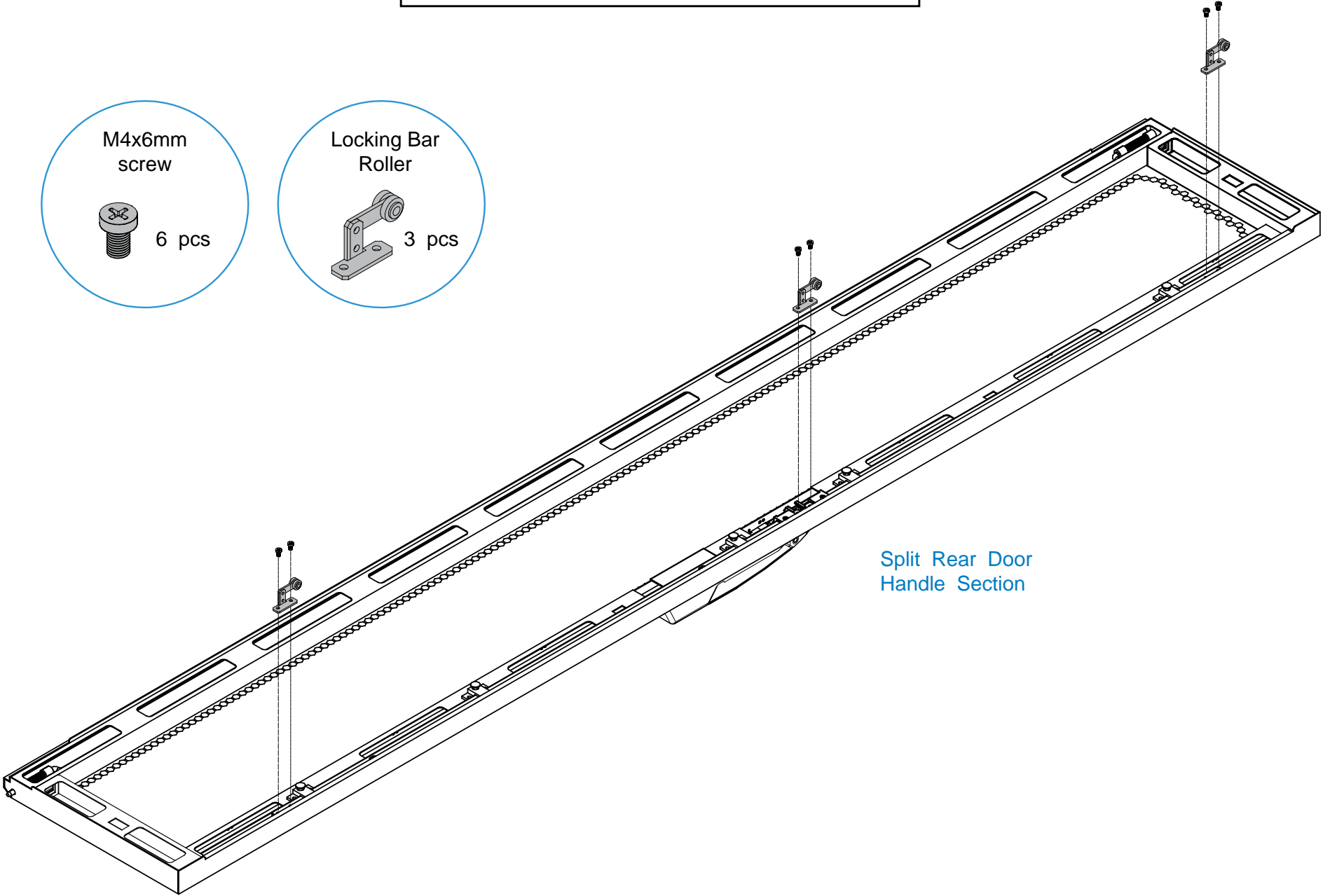
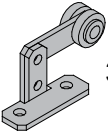


Assembly - Rear Door

M4x6mm screw
6 pcs

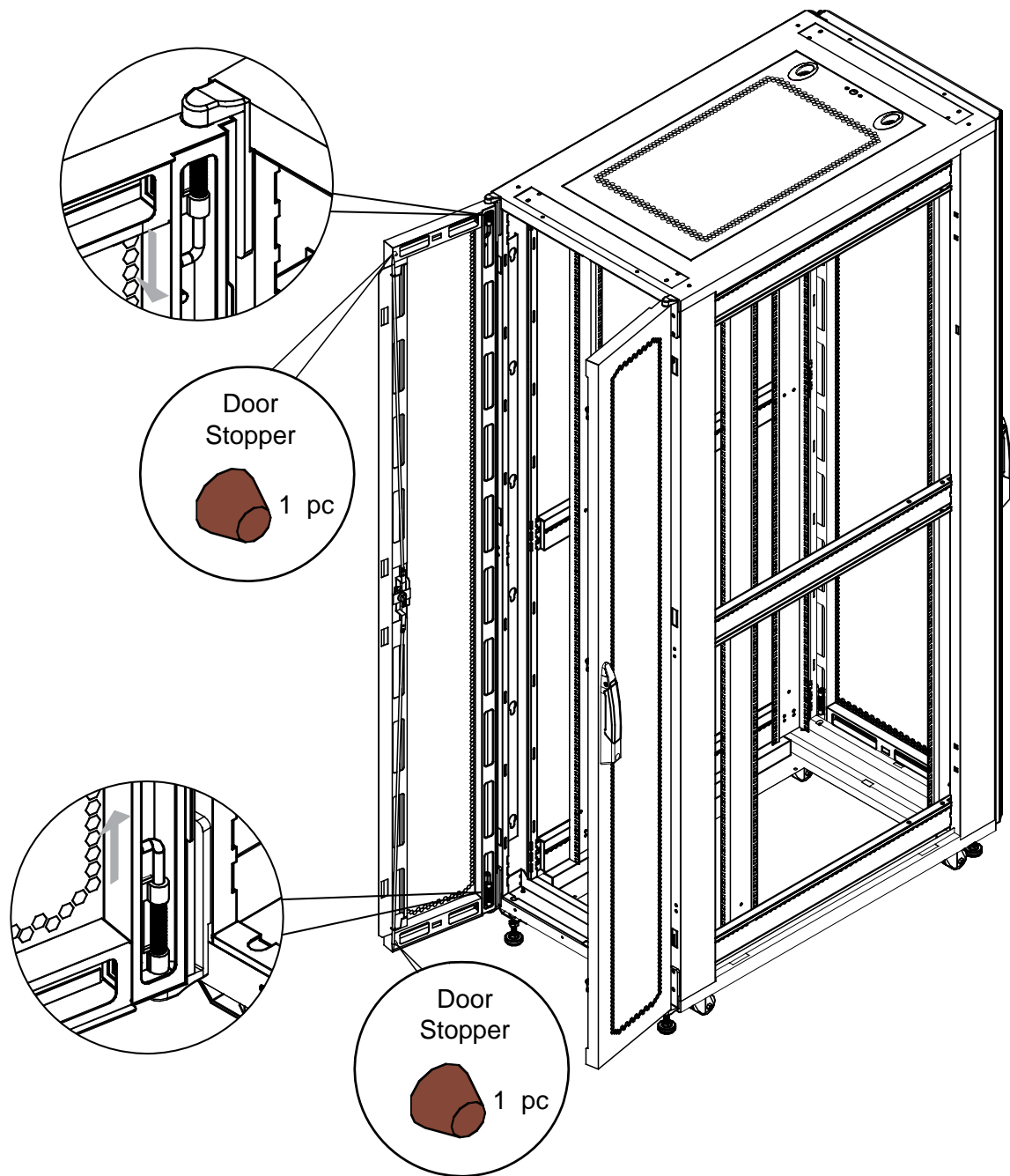


Locking Bar Roller
3 pcs

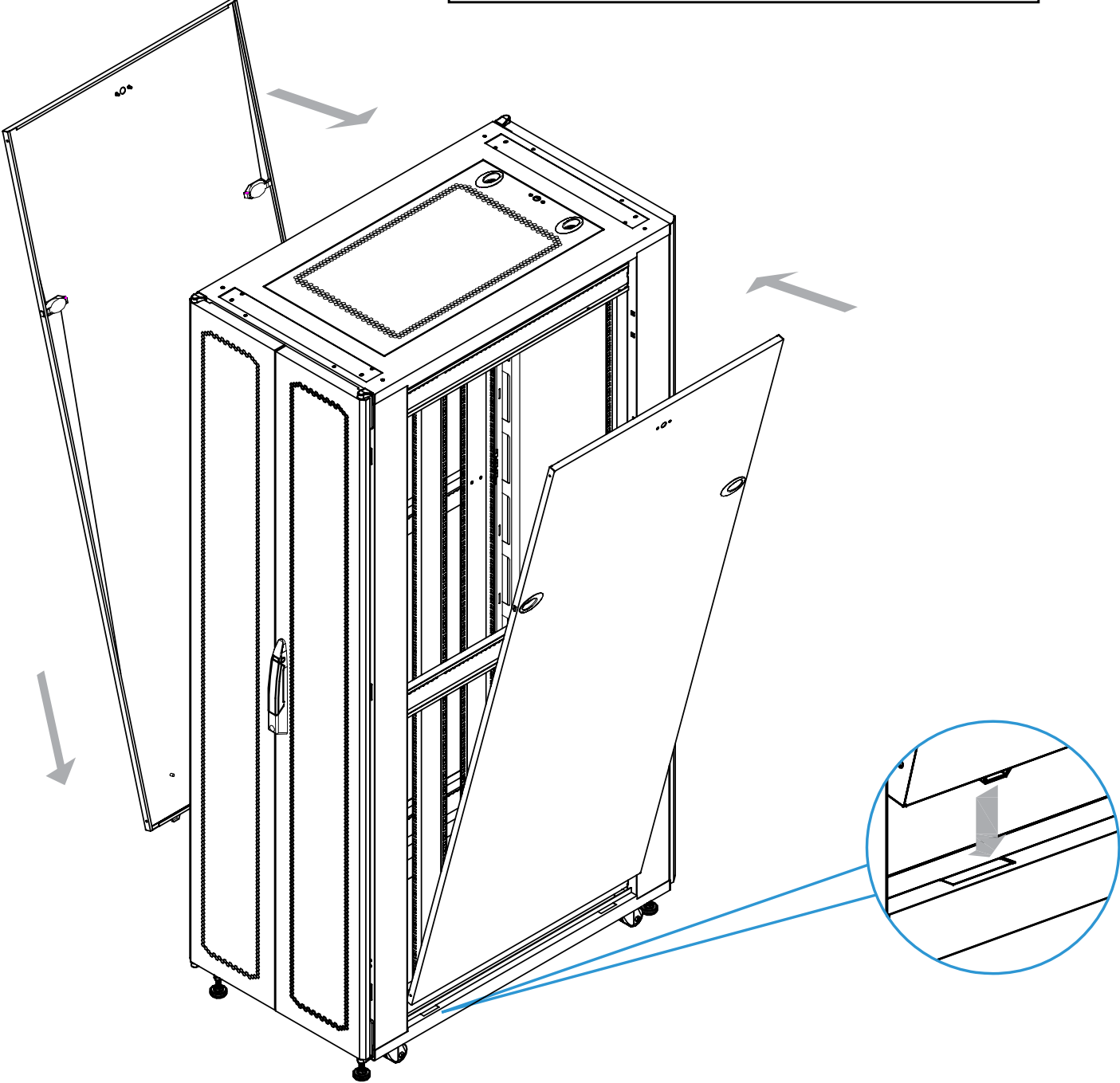


Split Rear Door
Handle Section

Assembly - Rear Door



Assembly - Side Panels



Assembly - Earthing Kits

