

## NSR / NR server rack 800W

### Assembly Guide



ISO-Certified  
9001 14001

Designed and manufactured by Austin Hughes

## **Package Content**

- **Carton A**
- **Carton B**

## **Assembly Steps - Main Frame**

- **Main Frame**
- **Castors & Feets**
- **Horizontal Supports & Mounting Rail Brackets**
- **19” Mounting Rails**

## **Assembly Steps - Claddings**

- **Door Hinges**
- **Front Door**
- **Rear Door**
- **Side Panels**
- **Earthing Kits**

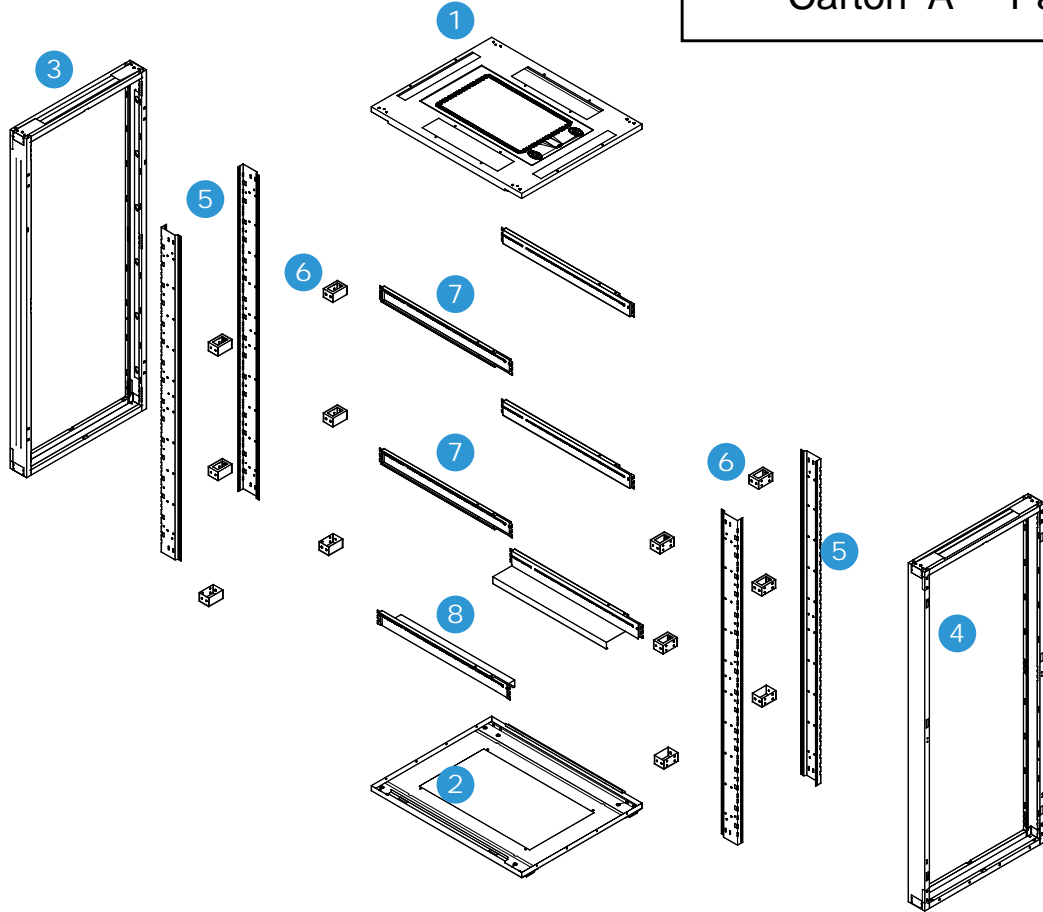
The company reserves the right to modify product specifications without prior notice and assumes no responsibility for any error which may appear in this publication.

All brand names, logo and registered trademarks are properties of their respective owners.

Copyright 2015 Austin Hughes Electronics Ltd.

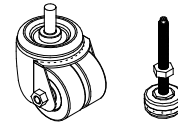
All rights reserved.

# Carton A - Package Content

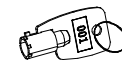
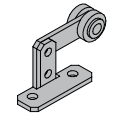
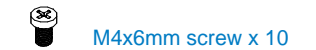
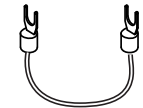
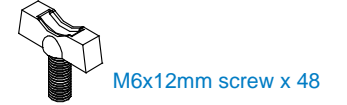
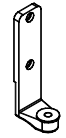


- 1 Top Frame w/ Vented Cover x 1 pc
- 2 Bottom Frame x 1 pc
- 3 Rear Frame w/ PDU Mounting Bracket x 1 pc
- 4 Front Frame x 1 pc
- 5 19" Mounting Rail x 2 pairs
- 6 Mounting Rail Bracket x 12 pcs
- 7 Top & Middle Horizontal Support x 2 pairs
- 8 Bottom Horizontal Support x 1 pair

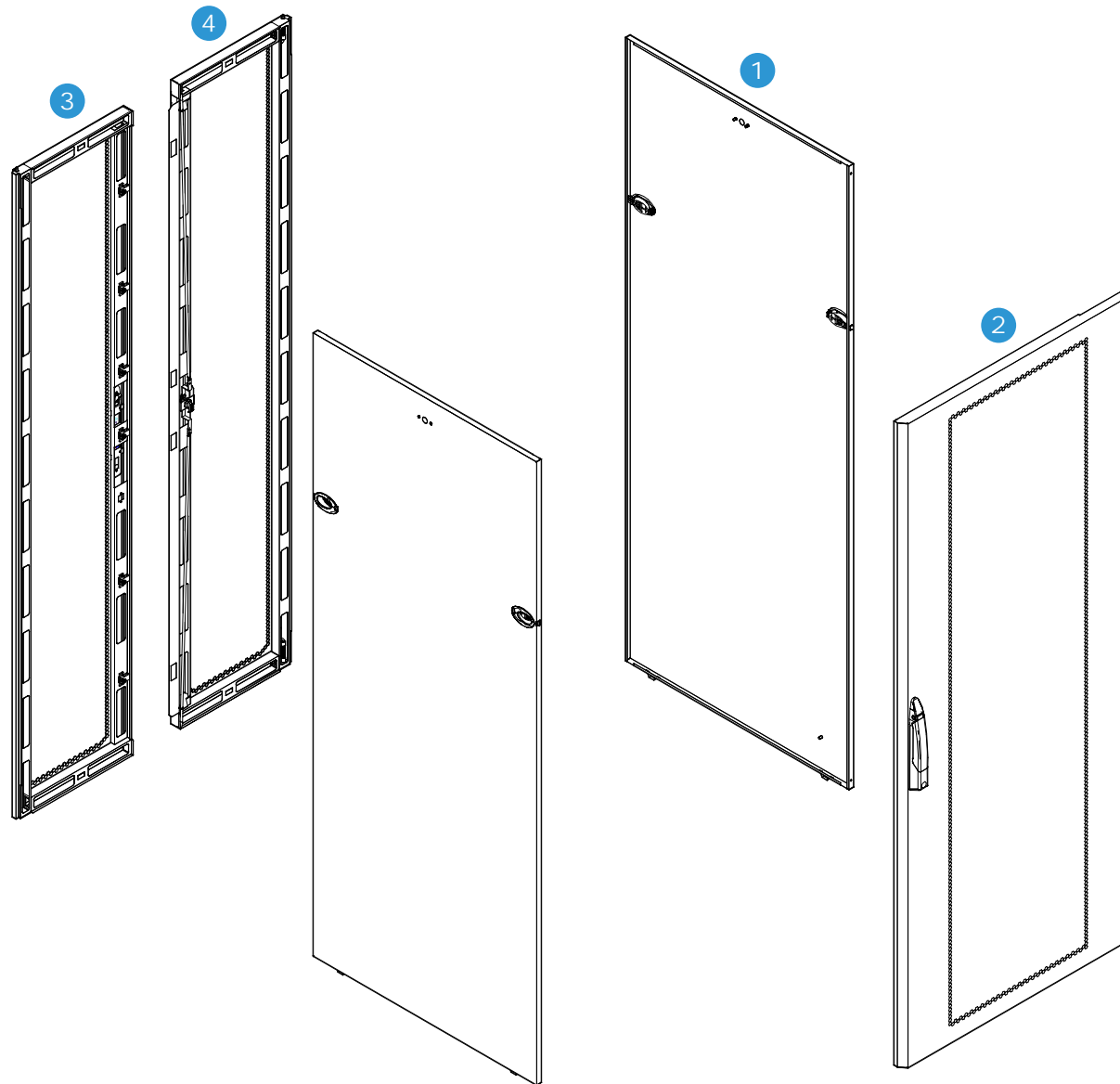
## Assemble Hardware



Medium Duty Castor x 4  
Feet x 4

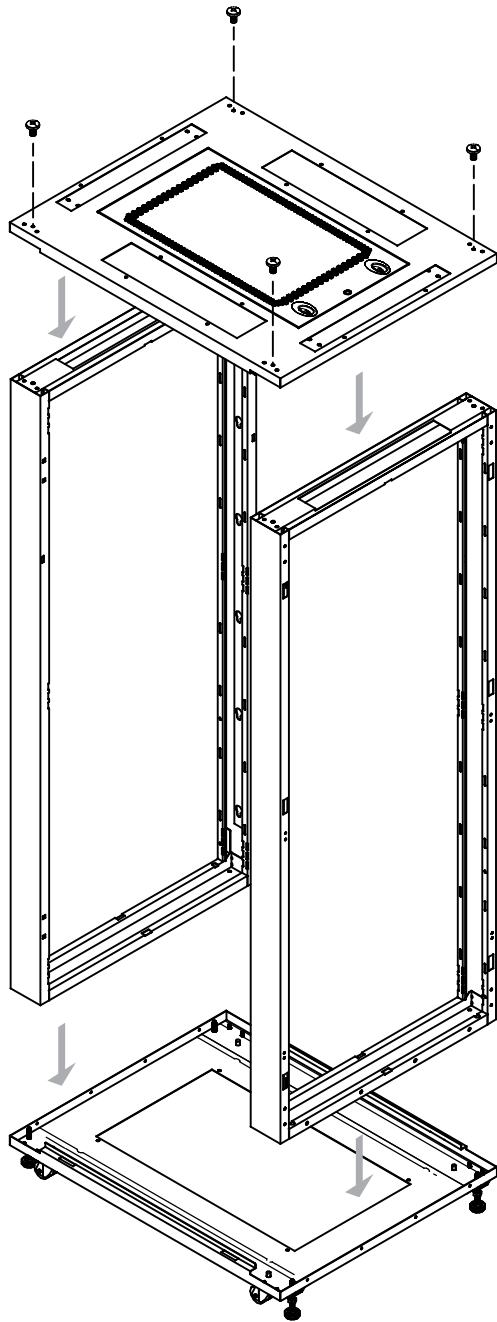
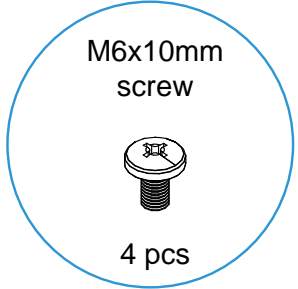


## Carton B - Package Content



- 1 Side Panel x 1 pair
- 2 Front Door x 1 pc
- 3 Rear Door, Right Section w/ Handle x 1 pc
- 4 Rear Door, Left Section w/ Locking Bar x 1 pc

# Assembly - Main frame

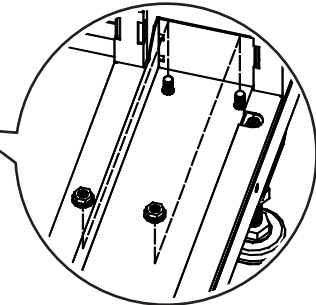
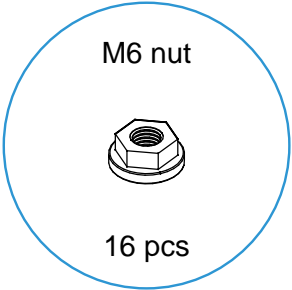
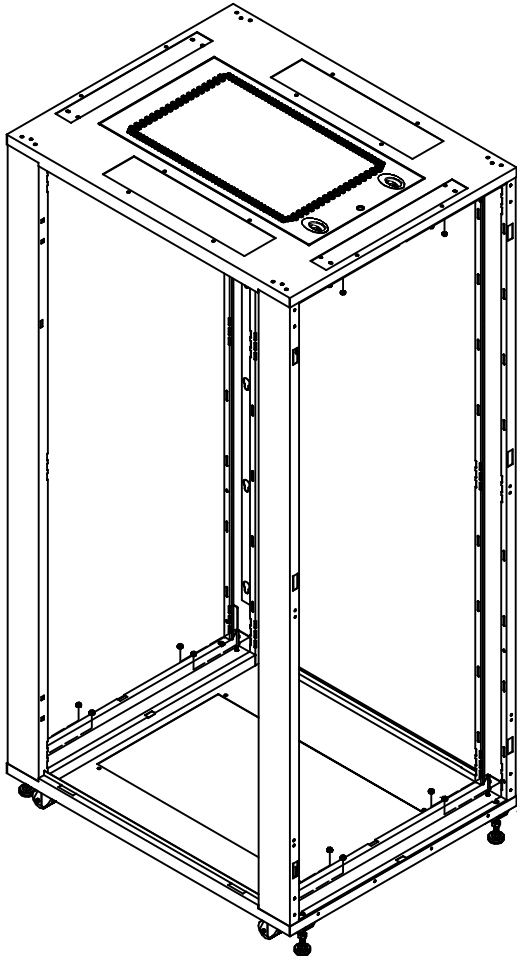


1 Top frame  
w/ vented cover

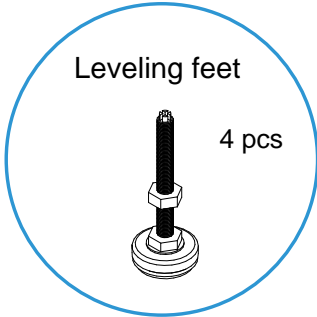
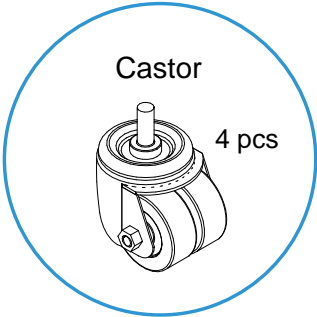
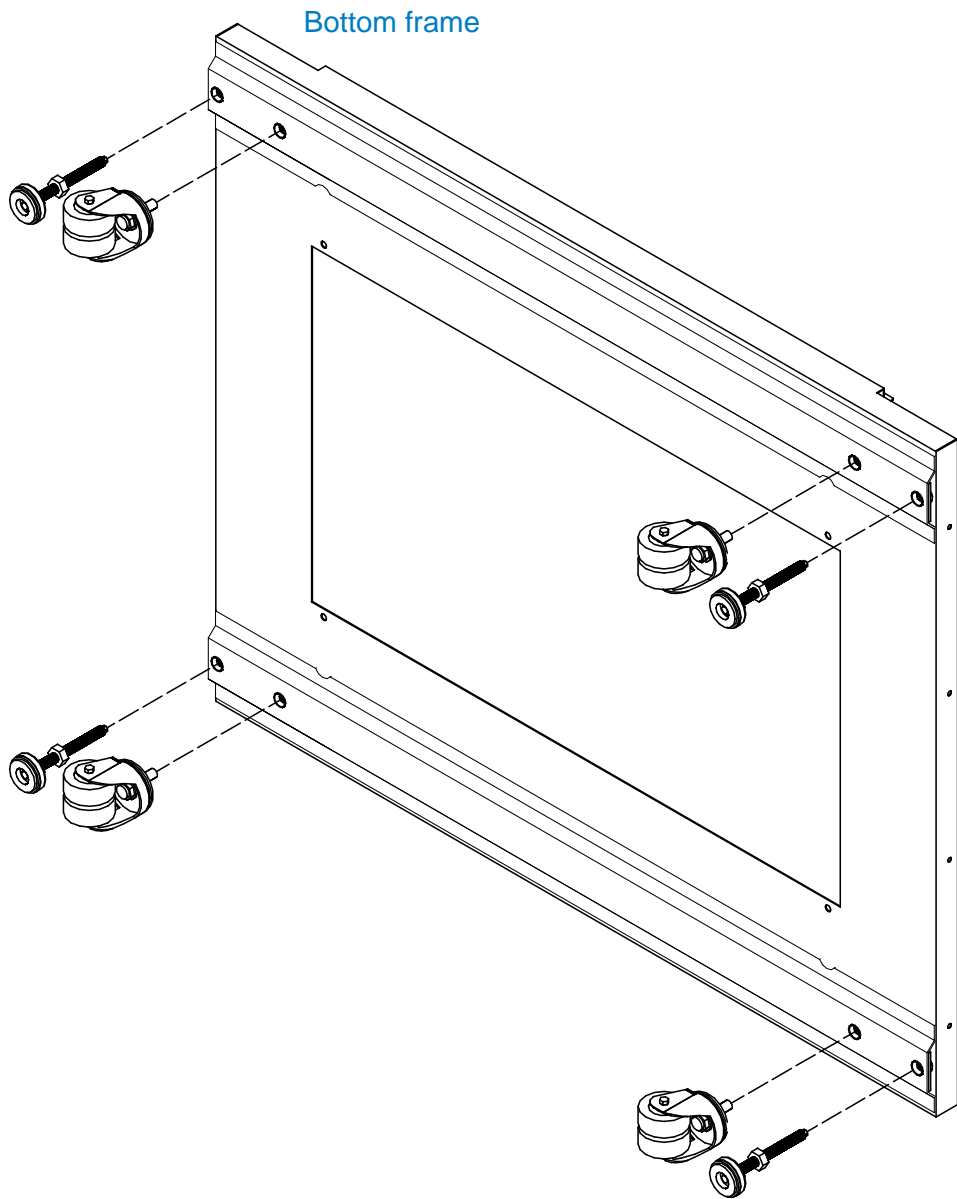
4 Front frame

2 Bottom frame

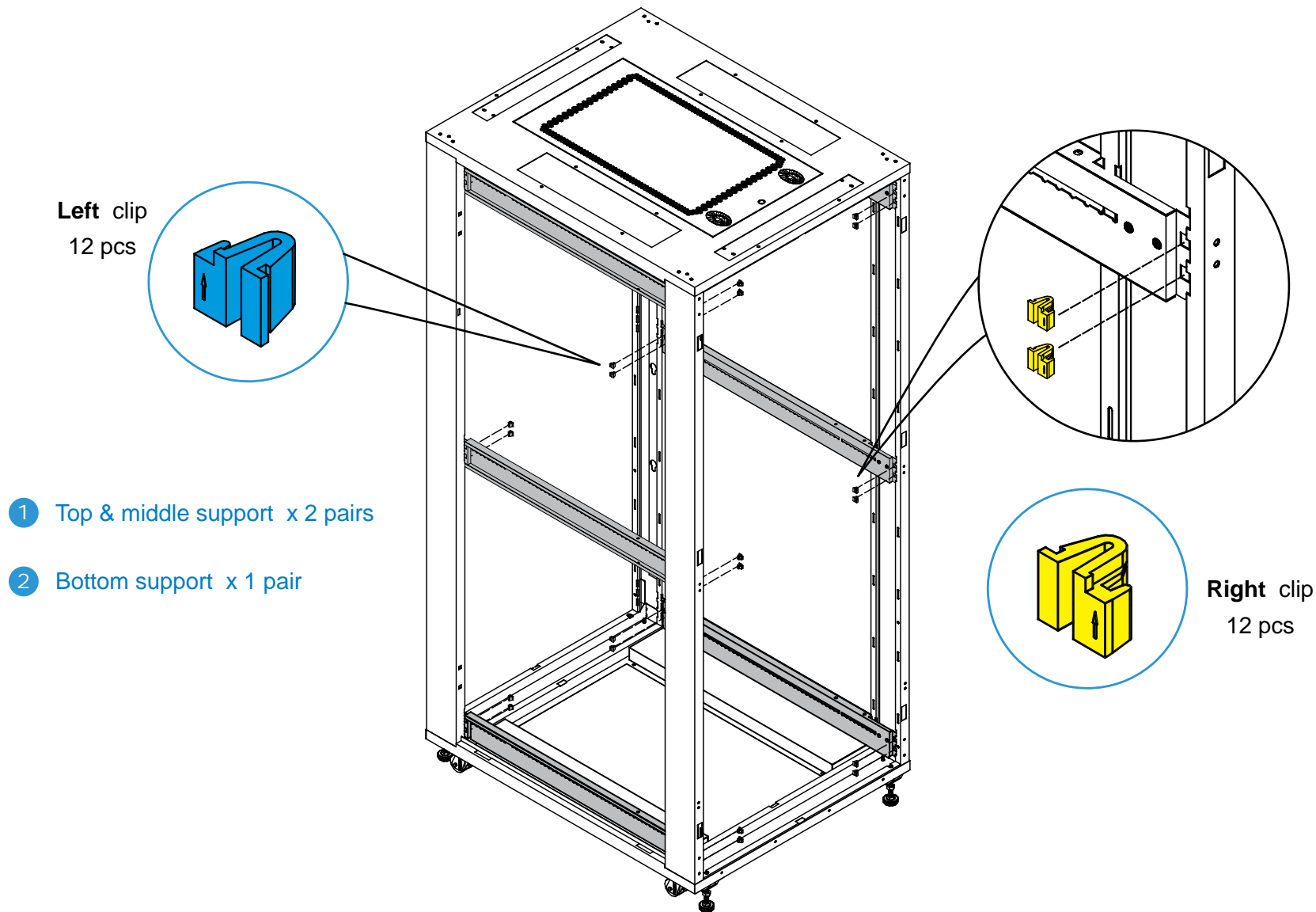
3  
Rear frame  
w/ PDU mounting bracket



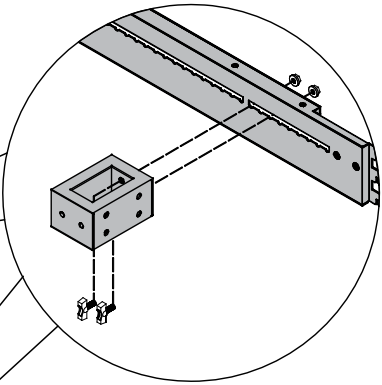
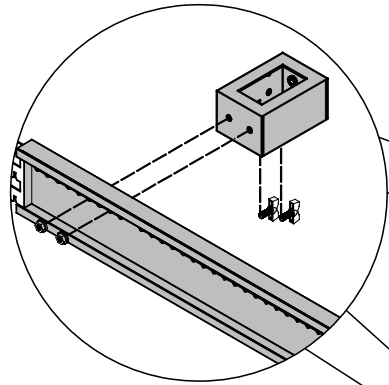
# Assembly - Castors & Feet



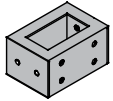
# Assembly - Horizontal Supports



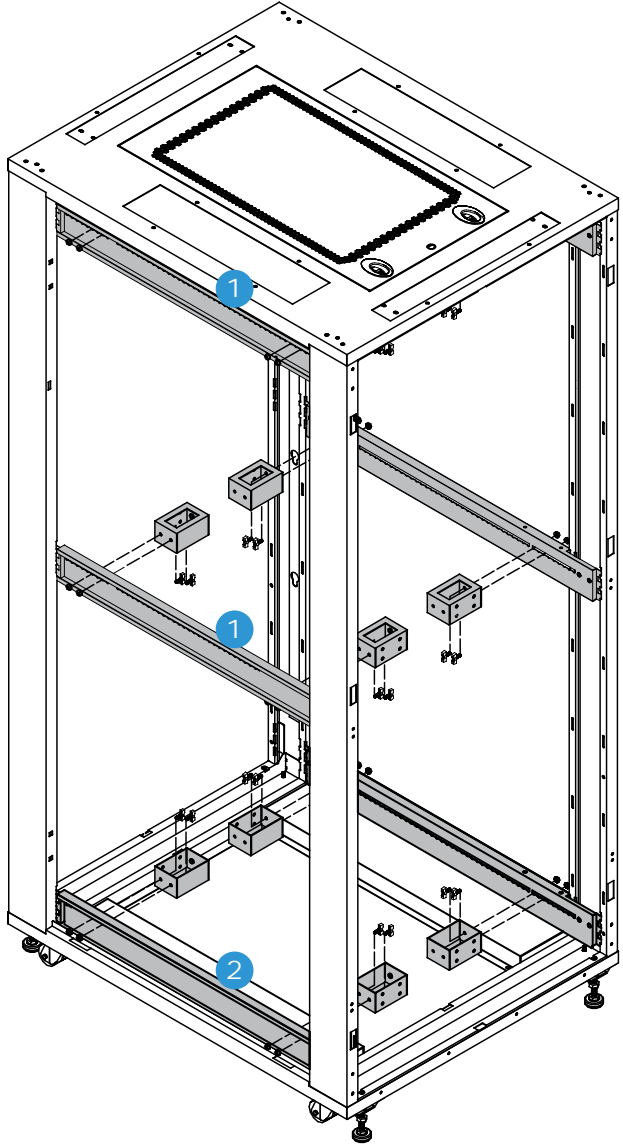
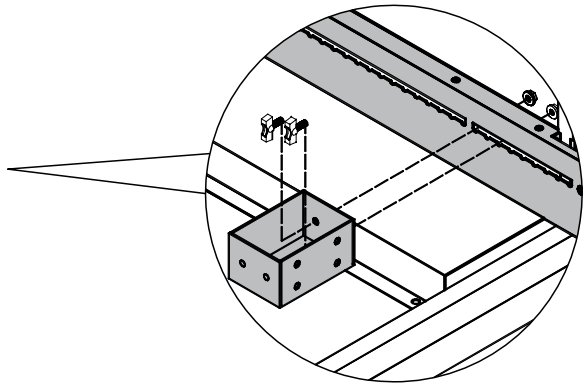
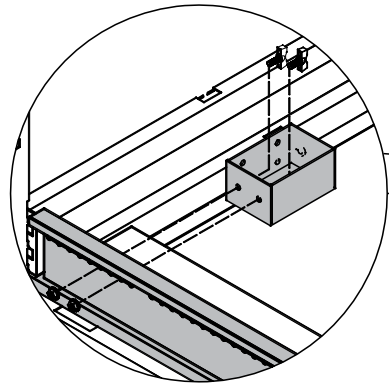
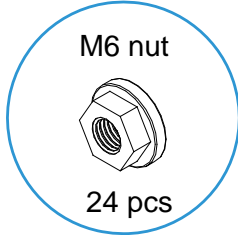
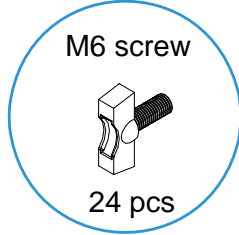
# Assembly - Horizontal Supports & Mounting Rail Bracket



- 1 Top & middle support x 2 pairs
- 2 Bottom support x 1 pair



Mounting Rail Bracket x 12 pcs



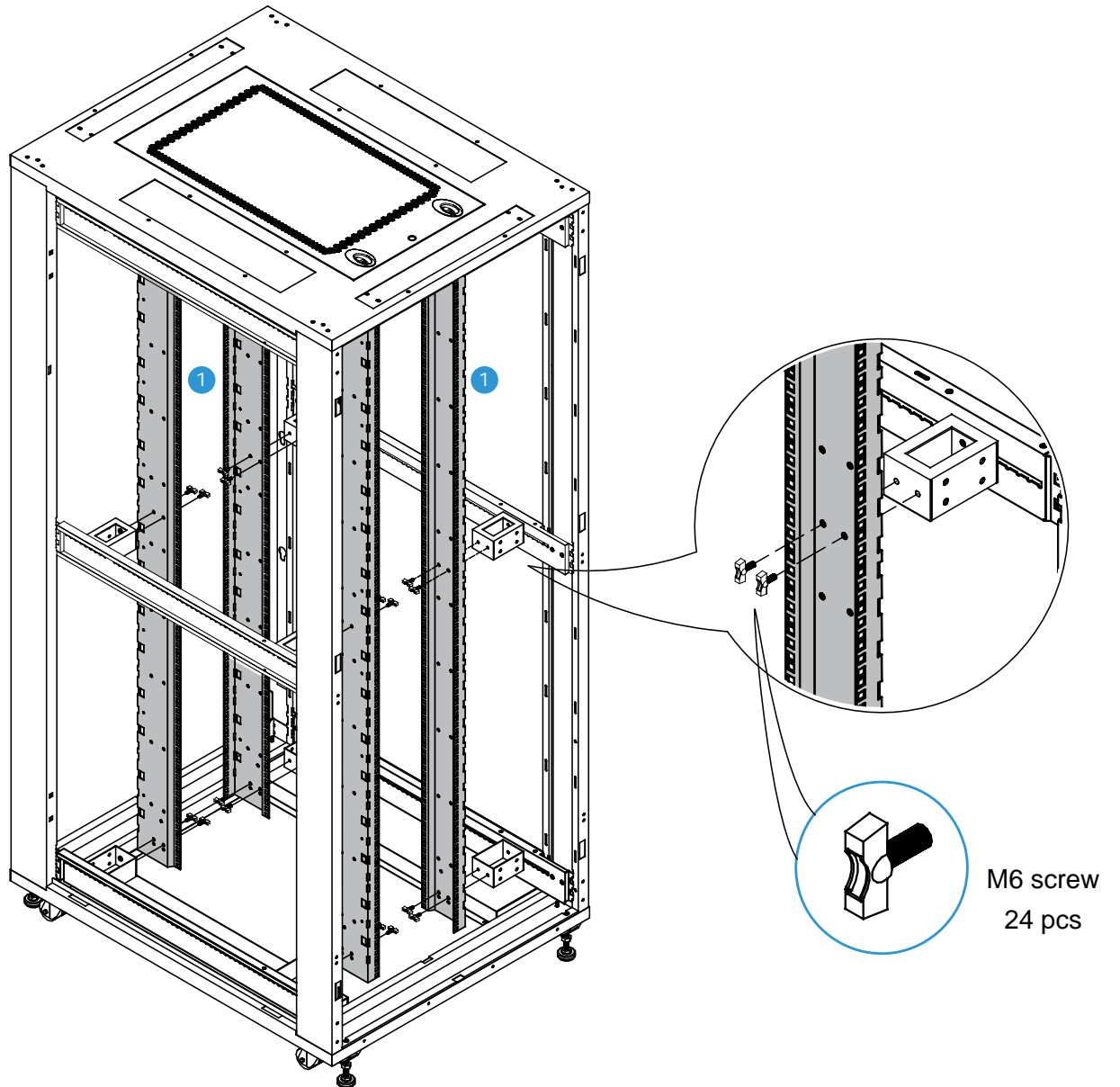


# Assembly - 19" Mounting Rails

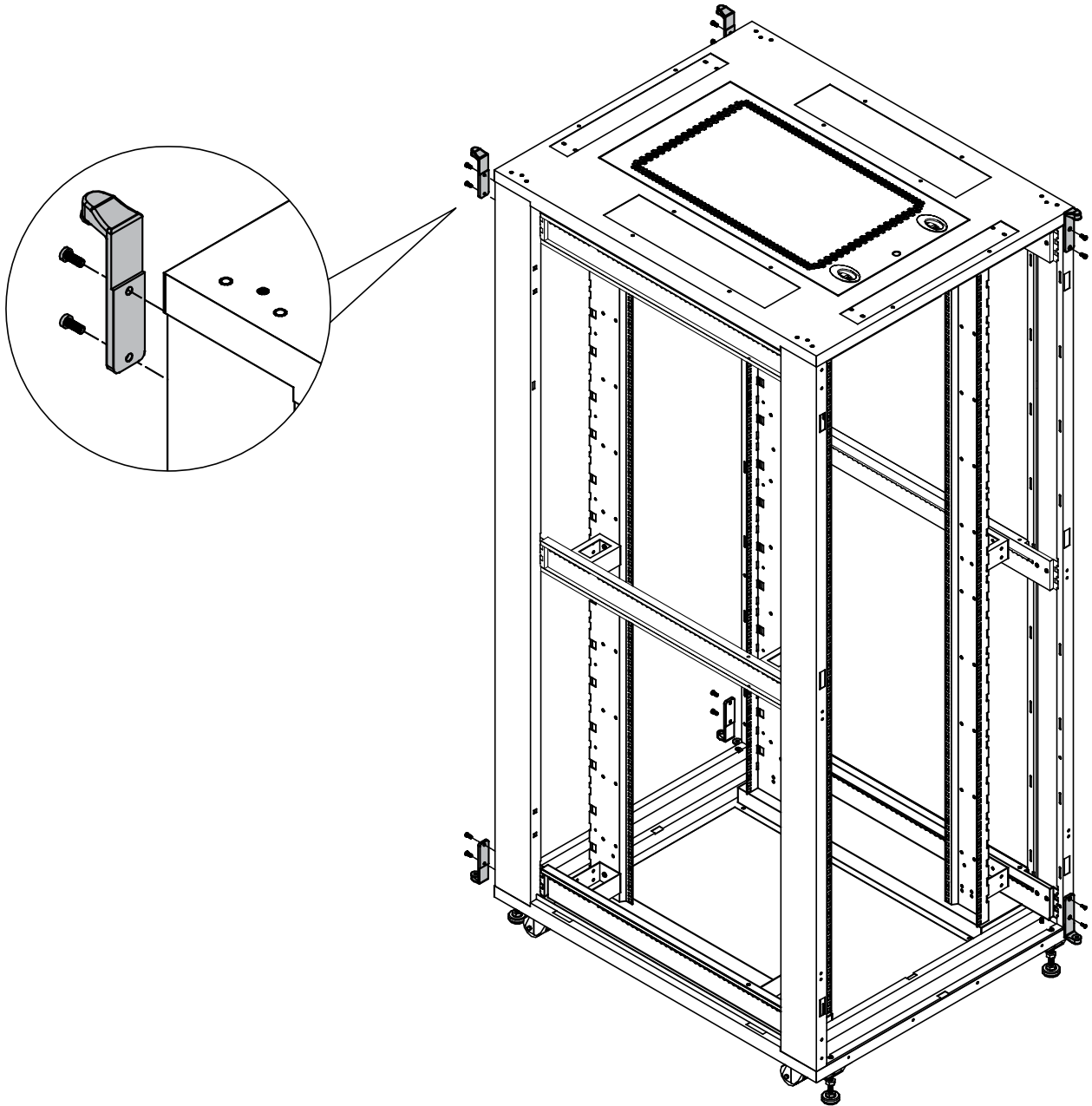
## 1 19" mounting rail x 2 pairs

\*\* The distance between the front & rear pair of 19" mounting rail is subject to the depth of the followings :

- the rack
- the equipment
- the shelf



Assembly - Door Hinges

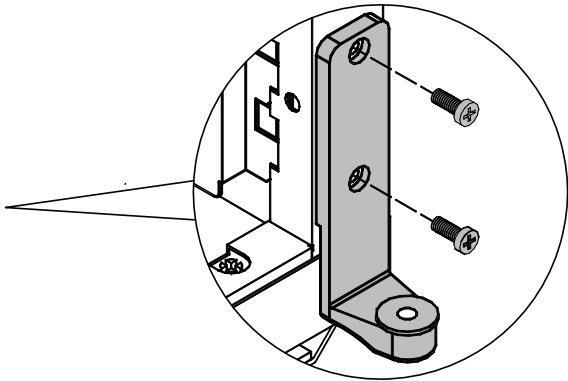


Door Hinges  
6 pcs

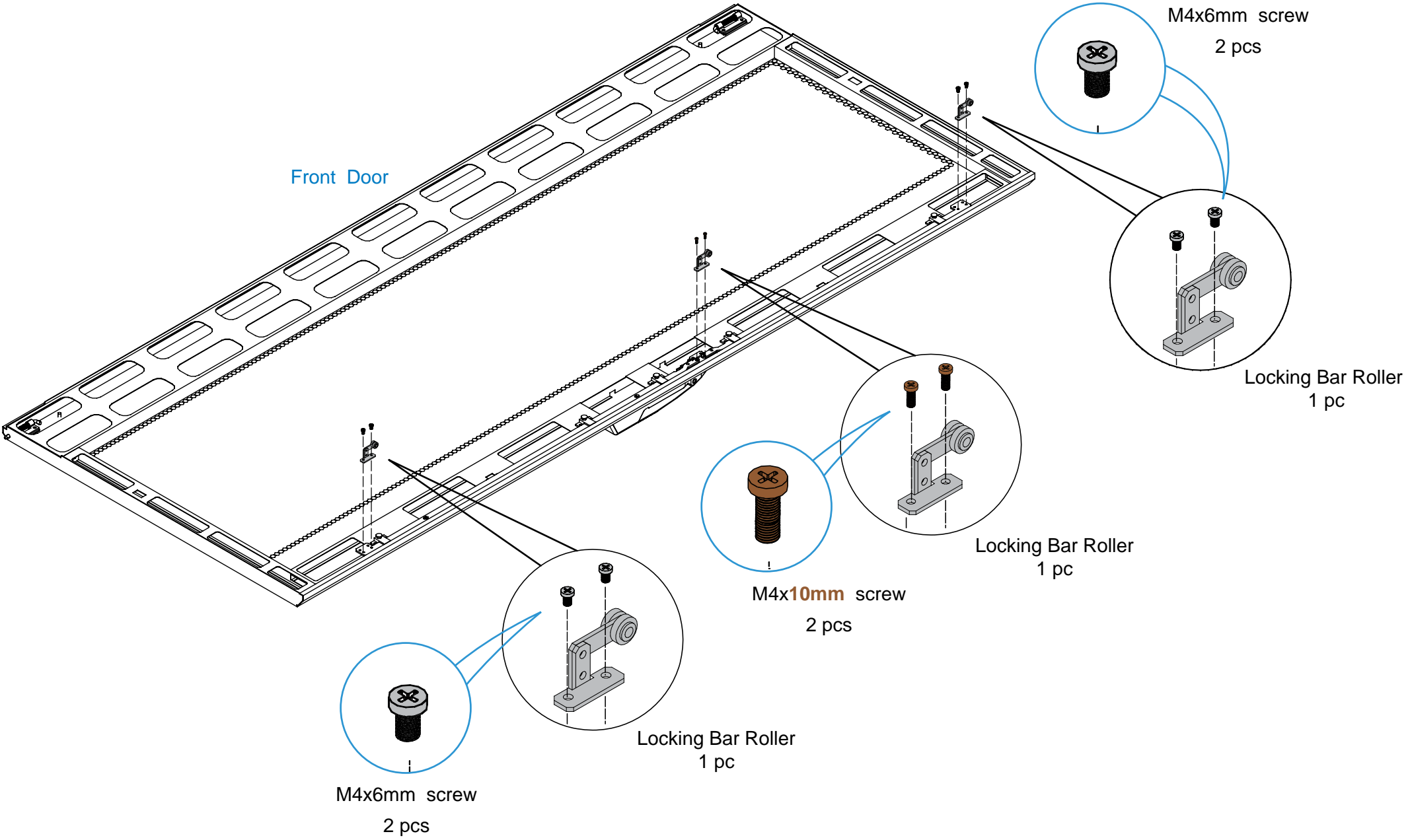
A circular callout showing a single door hinge component, which is an L-shaped metal bracket with two pre-drilled holes on the long arm and a circular mounting hole on the short arm.

M5x12.5mm  
screw  
12 pcs

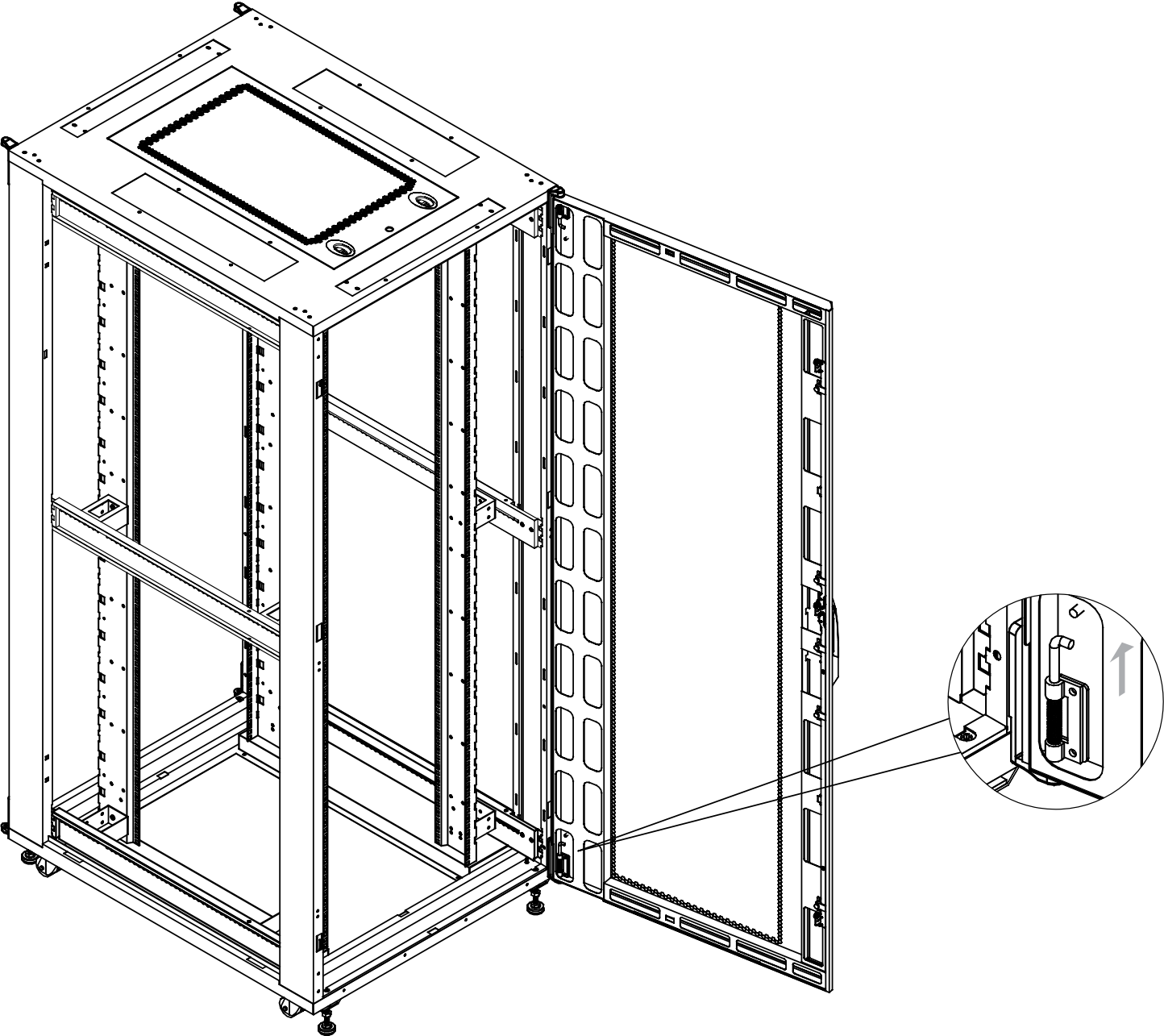
A circular callout showing a single M5x12.5mm screw, which is a standard hex-head screw with a Phillips drive.



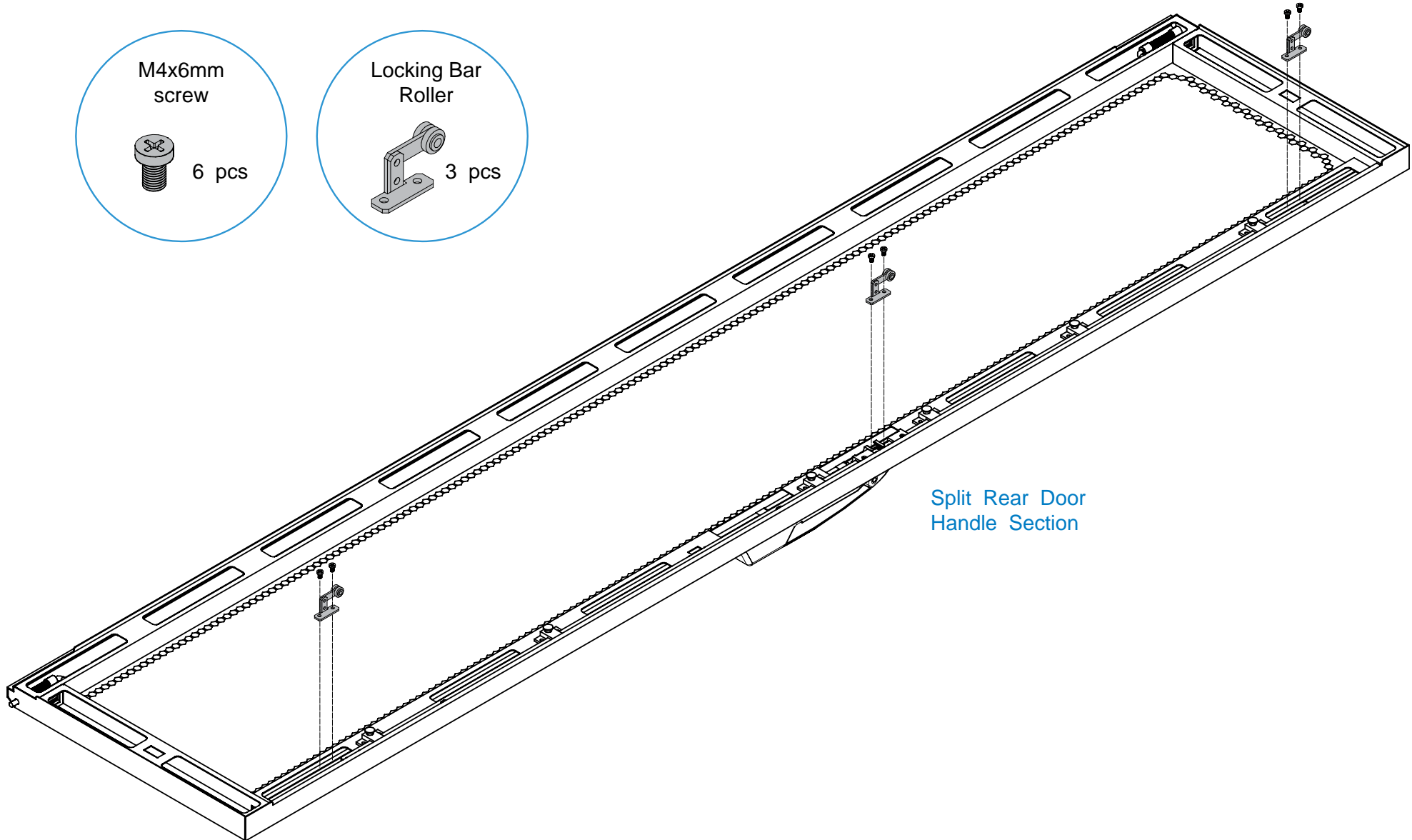
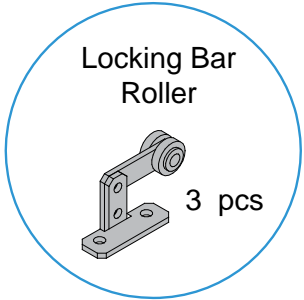
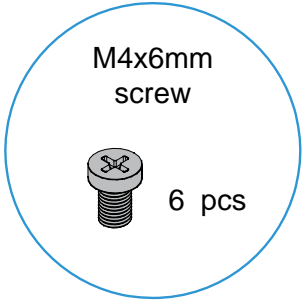
Assembly - Front Door



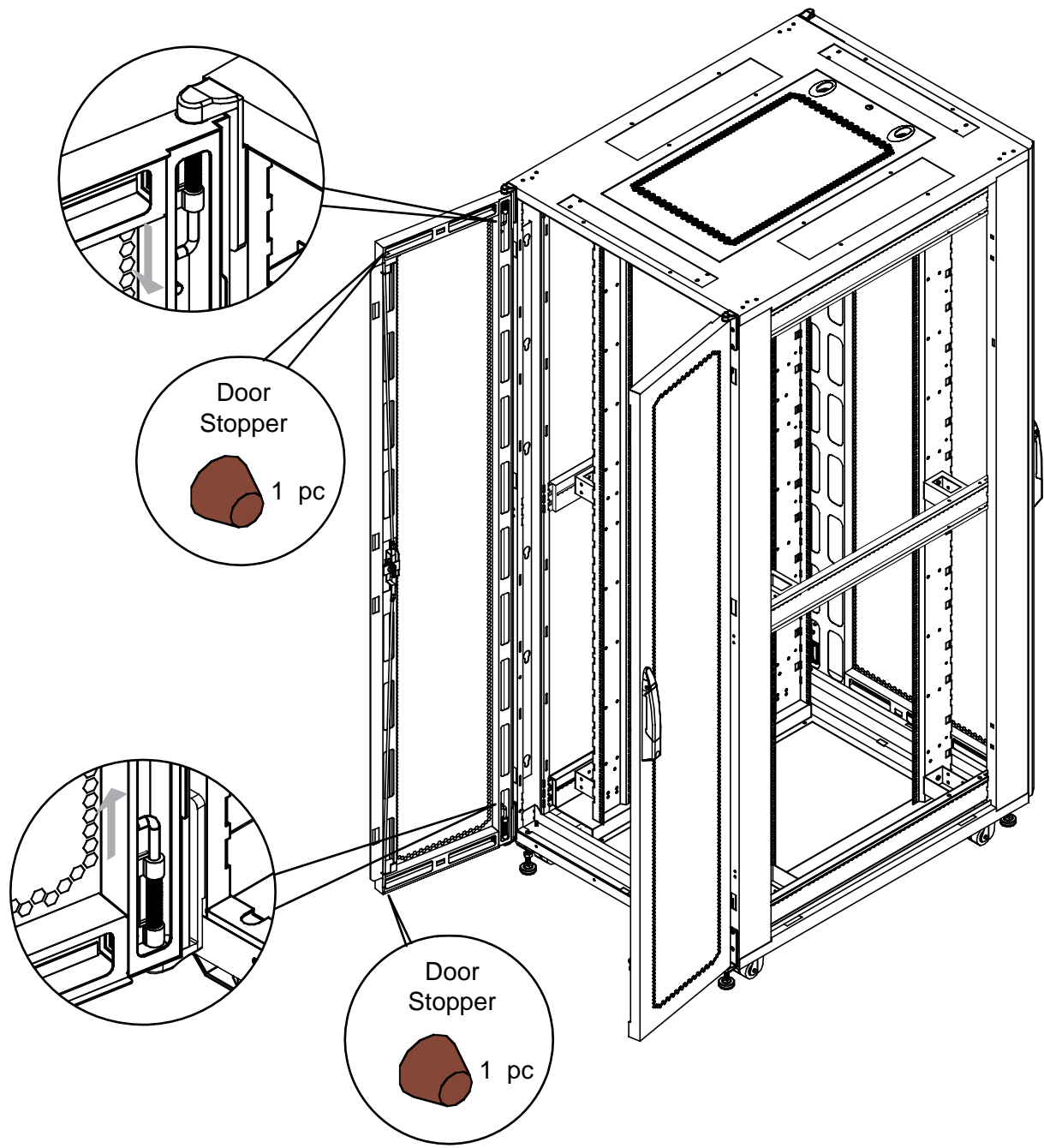
Assembly - Front Door



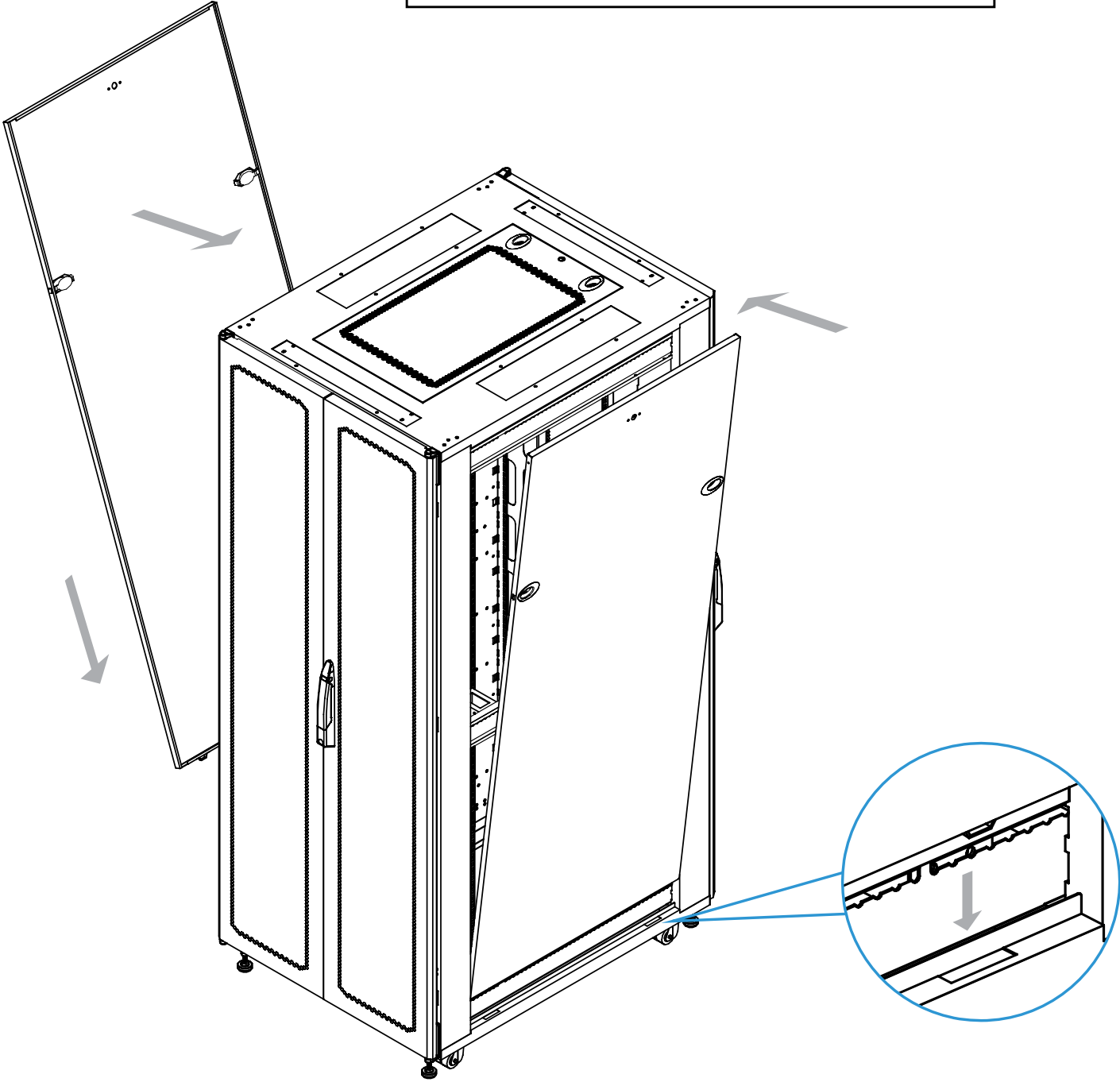
# Assembly - Rear Door



Assembly - Rear Door



Assembly - Side Panels



# Assembly - Earthing Kits

