

SR server rack 600W

Assembly Guide



ISO-Certified
9001 14001

Designed and manufactured by Austin Hughes

Package Content

- **Carton A**
- **Carton B**

Assembly Steps - Main Frame

- **Main Frame**
- **Castors & Feets**
- **Horizontal Supports (clip version)**
- **19” Mounting Rails**

Assembly Steps - Claddings

- **Front Door**
- **Rear Door**
- **Door Hinges**
- **Door Stopper**
- **Side Panels**
- **Earthing Kits**

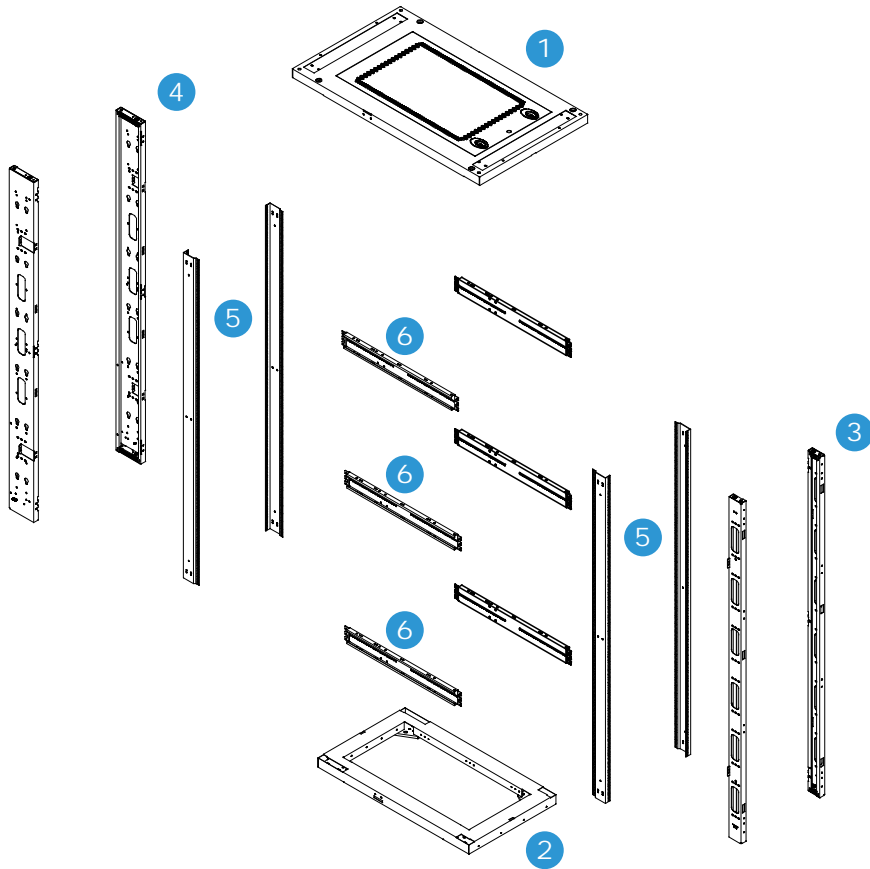
The company reserves the right to modify product specifications without prior notice and assumes no responsibility for any error which may appear in this publication.

All brand names, logo and registered trademarks are properties of their respective owners.

Copyright 2015 Austin Hughes Electronics Ltd.

All rights reserved.

Carton A - Package Content

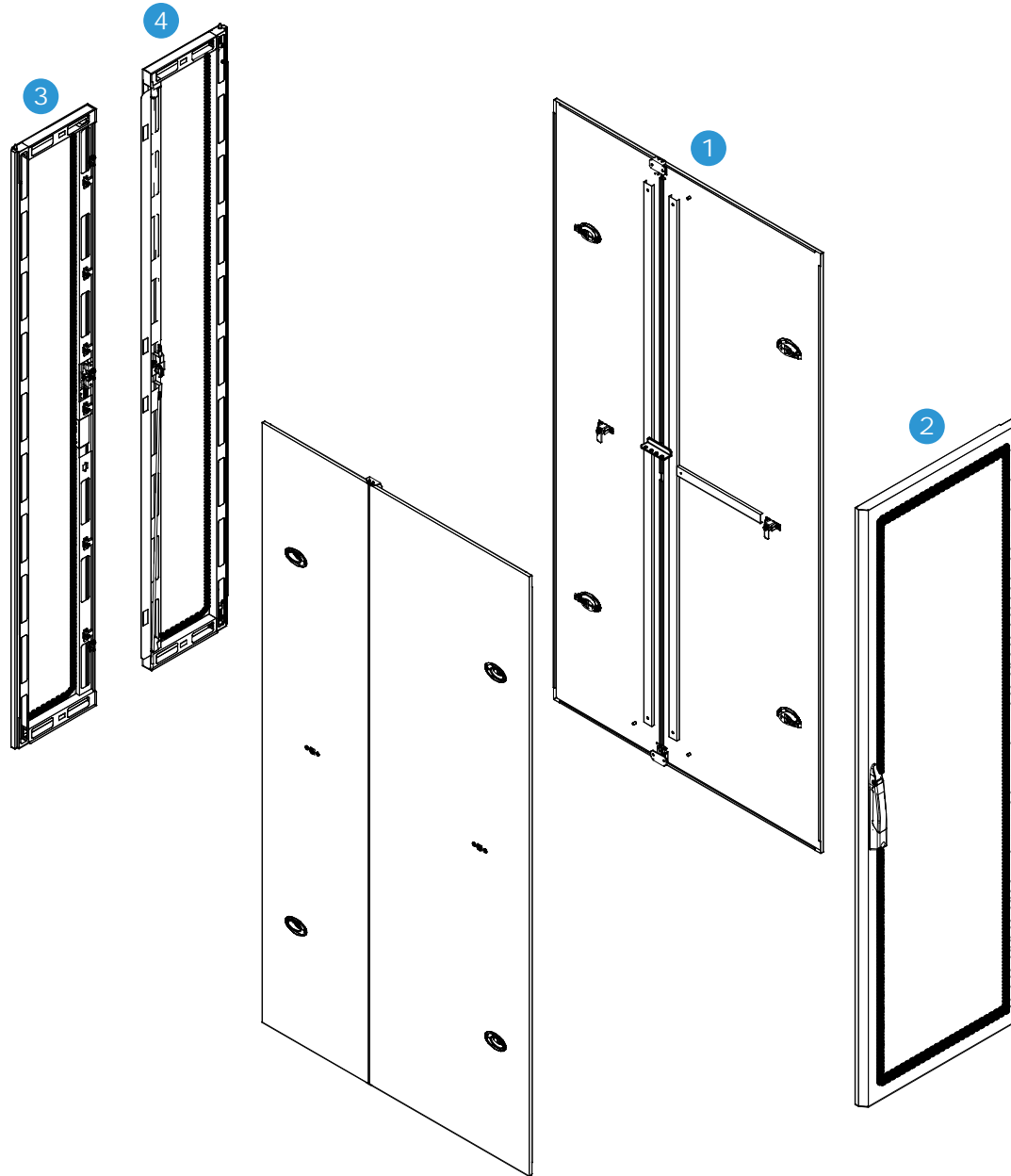


- 1 Top Frame w/ Vented Top Cover x 1 pc
- 2 Bottom Frame x 1 pc
- 3 Front Vertical, left & right
- 4 Rear Vertical, left & right
- 5 19" Mounting Rail x 2 pairs
- 6 Horizontal Support x 3 pairs

Assemble Hardware

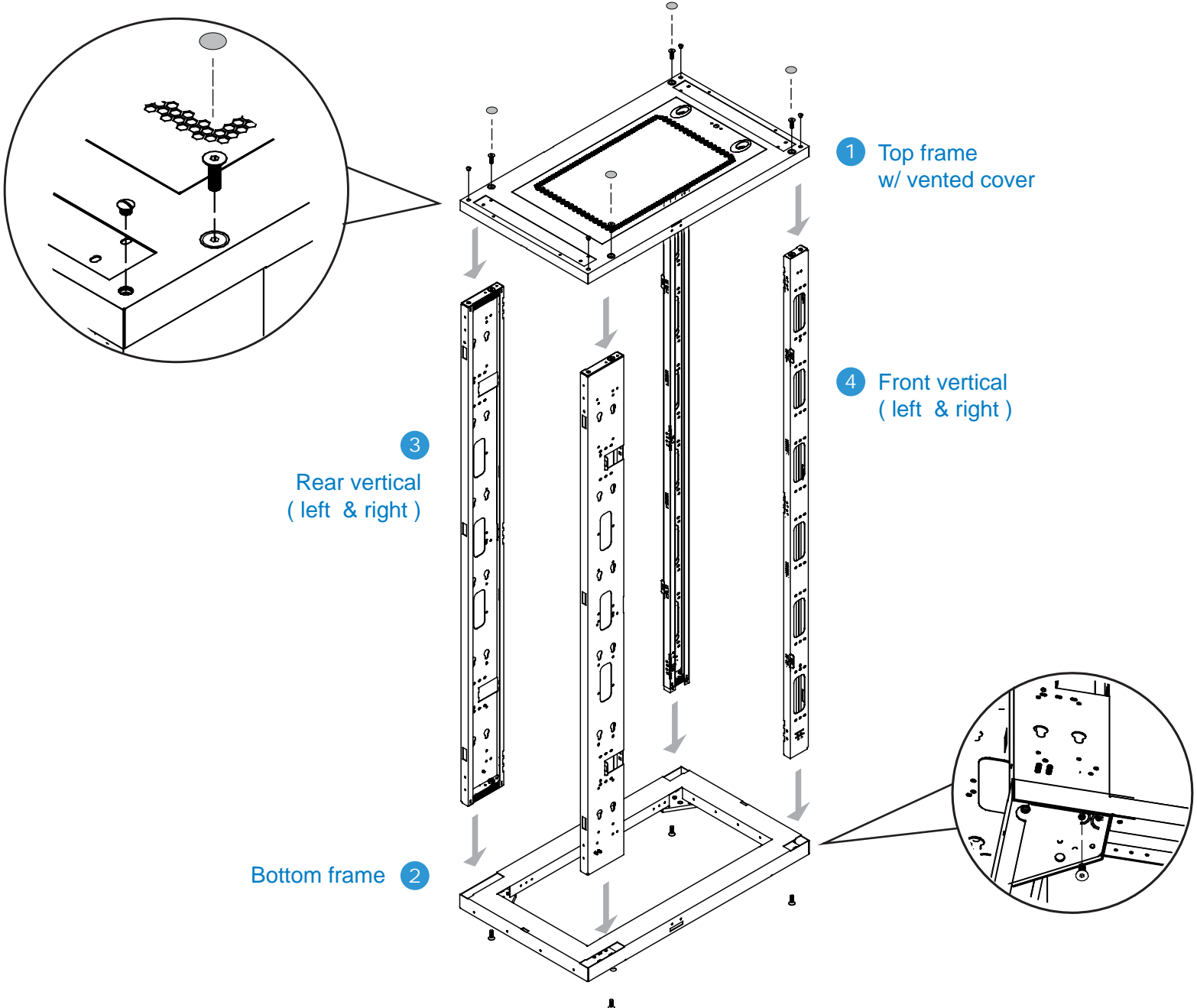


Carton B - Package Content



- ① Side Panel x 1 pair
- ② Front Door x 1 pc
- ③ Rear Door, Right Section w/ Handle x 1 pc
- ④ Rear Door, Left Section w/ Locking Bar x 1 pc

Assembly - Main frame

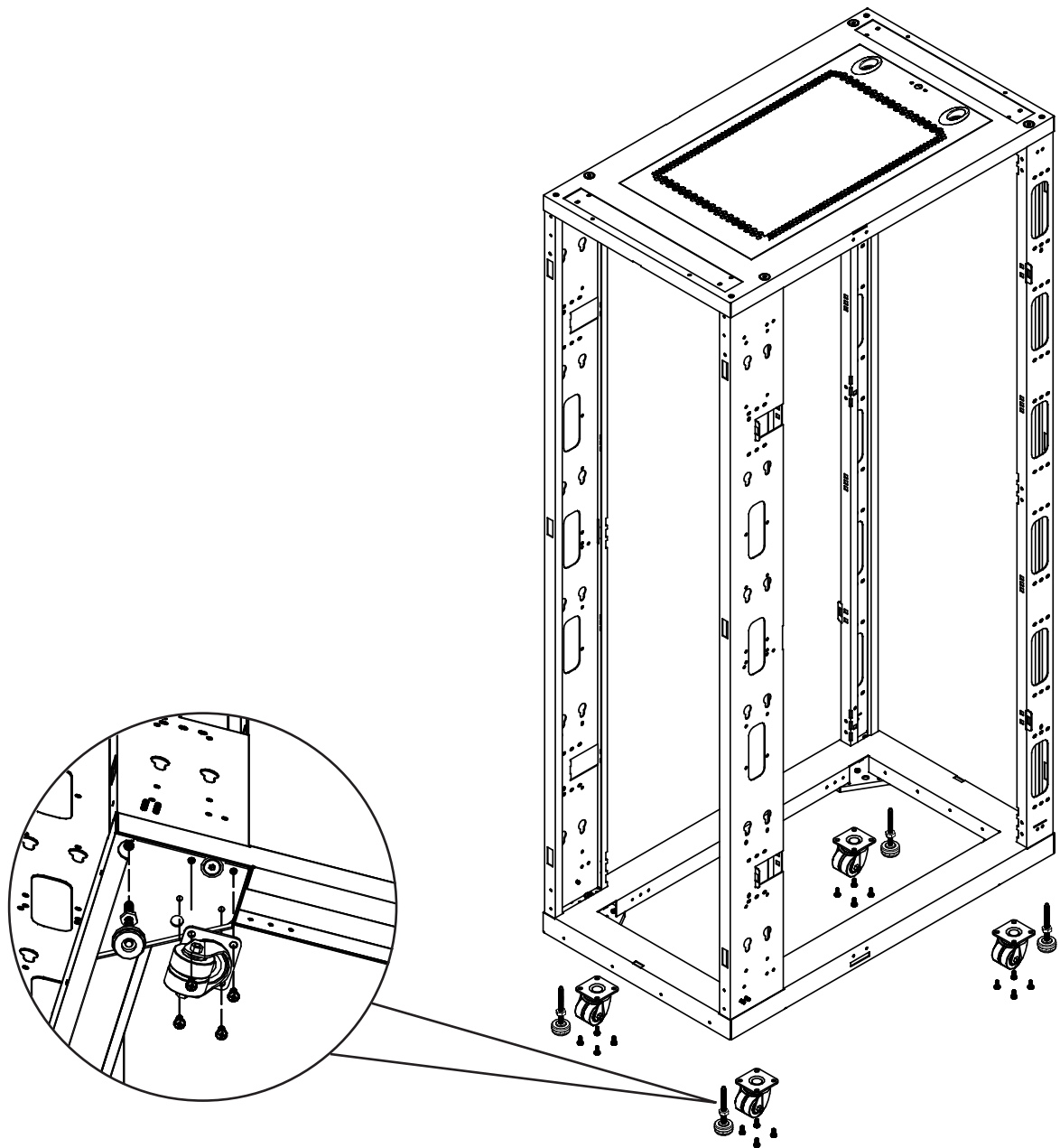


M10x40mm screw
8 pcs

M10Ø15x15mm screw
4 pcs
Top only

M10 PVC Cover
4 pcs
Top only

Assembly - Castors & Feet



Castor
4 pcs

A circular callout containing the text 'Castor' and '4 pcs' above a technical drawing of a castor wheel with a square mounting plate and a central screw hole.

Leveling feet
4 pcs

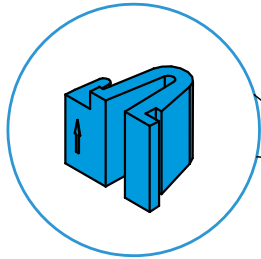
A circular callout containing the text 'Leveling feet' and '4 pcs' above a technical drawing of a leveling foot, which consists of a threaded rod with a conical base and a flat top.

M6x15mm
screw
16 pcs

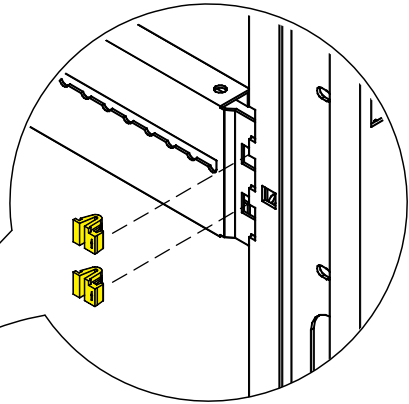
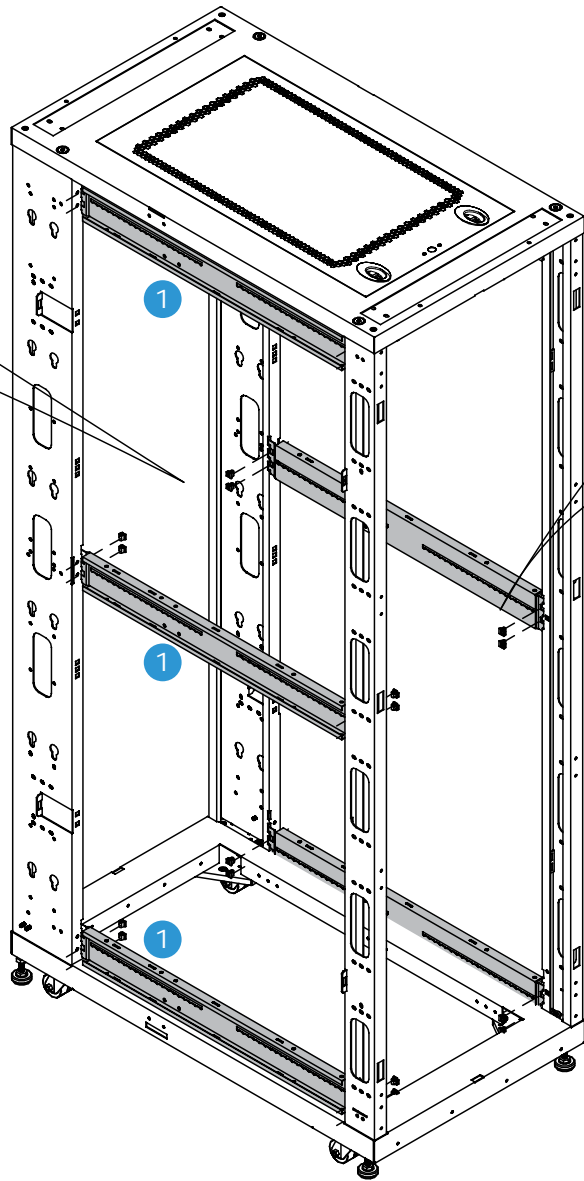
A circular callout containing the text 'M6x15mm screw' and '16 pcs' above a technical drawing of an M6x15mm screw with a hexagonal head.

Horizontal Supports - clip version

Left clip x 12 pcs

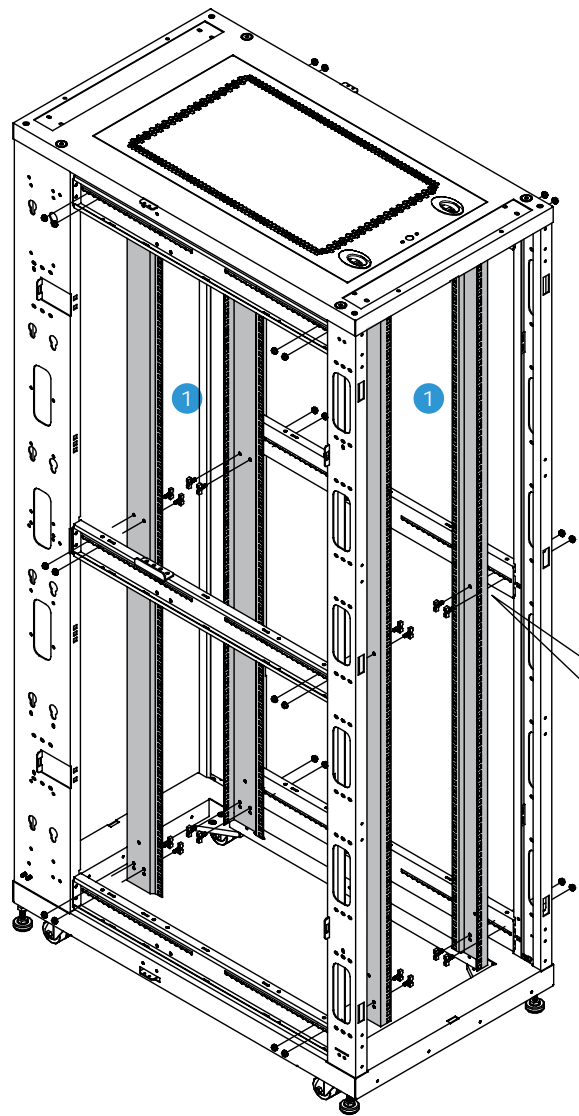


1 Horizontal support x 3 pairs



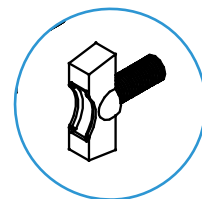
Right clip x 12 pcs

Assembly - 19" Mounting Rails

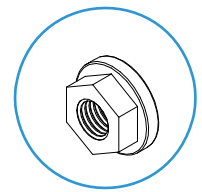


1 19" mounting rail x 2 pairs

** The distance between the front & rear pair of 19" mounting rail is subject to the depth of the followings :
- the rack
- the equipment
- the shelf

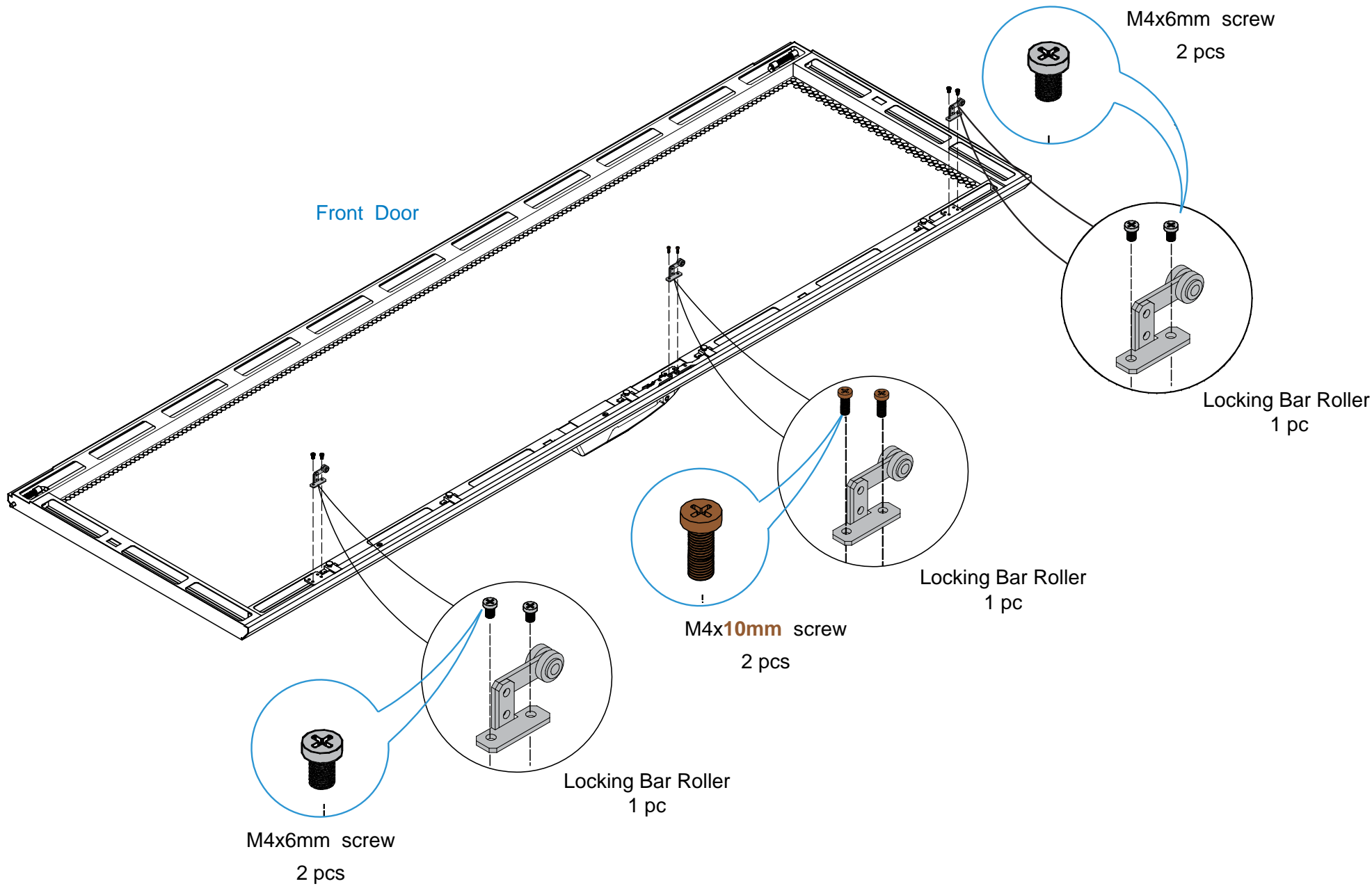


M6 screw
24 pcs




M6 nut
24 pcs

Assembly - Front Door

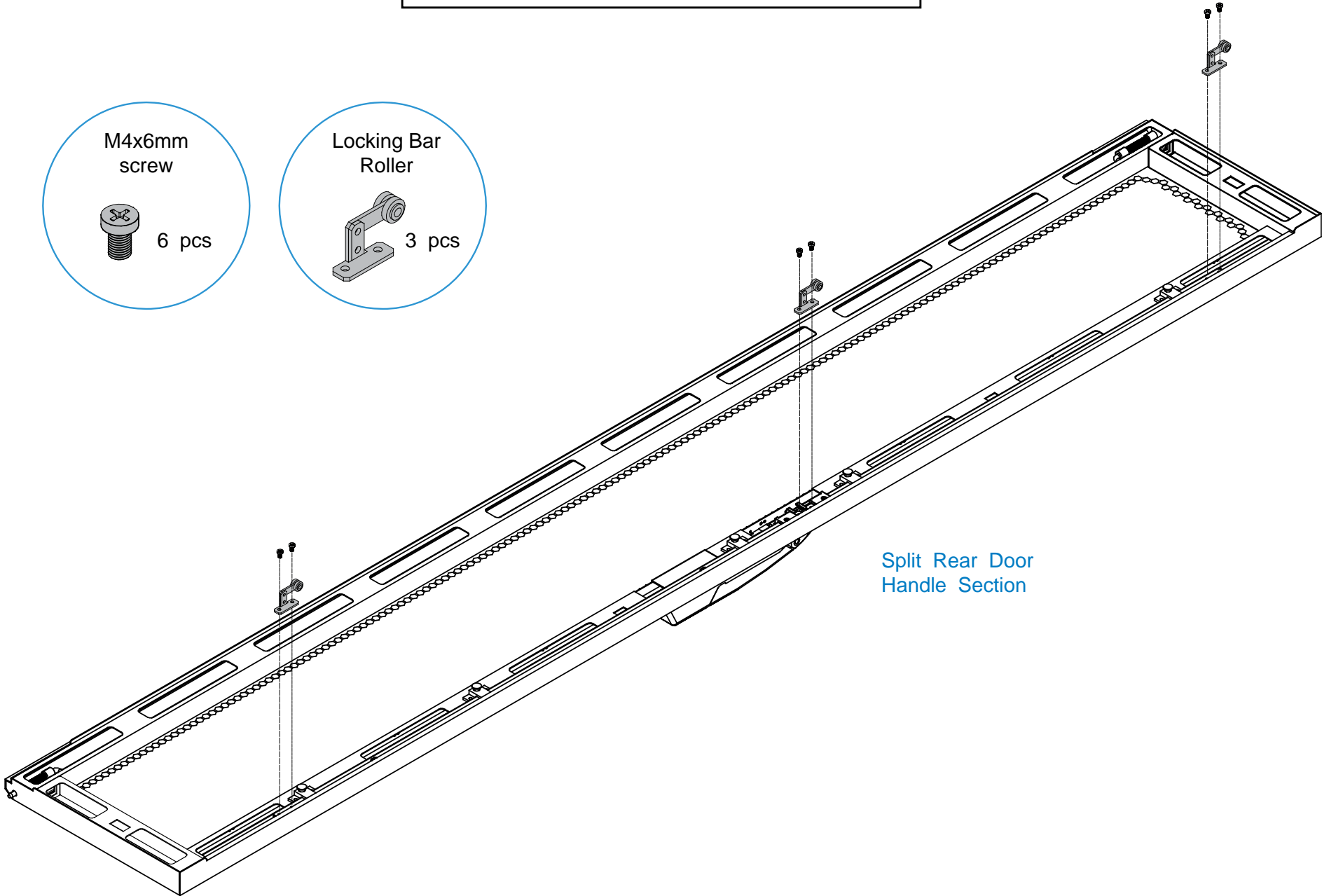
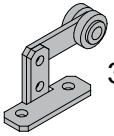


Assembly - Rear Door

M4x6mm screw
6 pcs

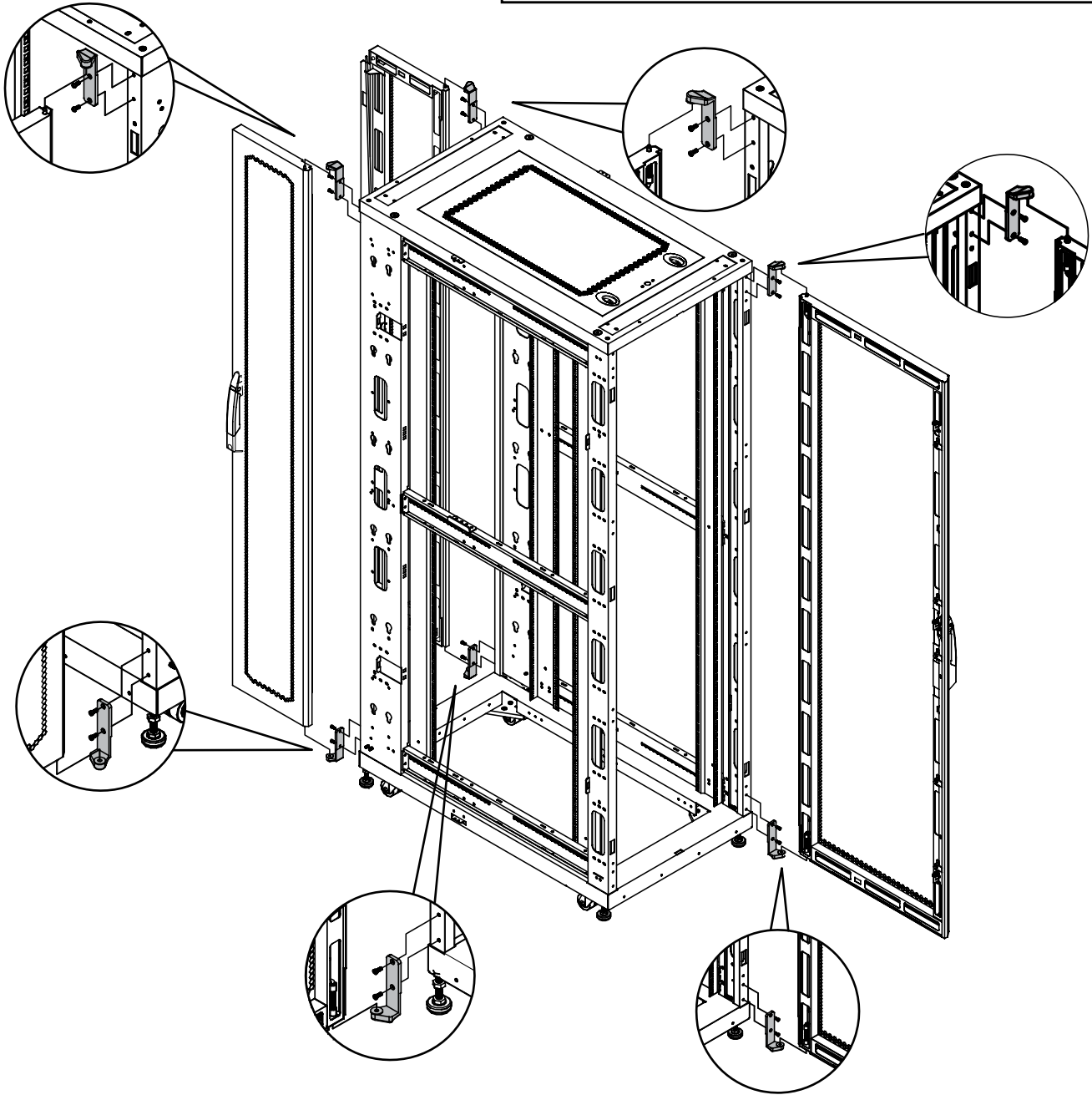


Locking Bar Roller
3 pcs

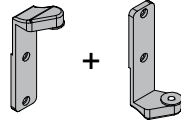


Split Rear Door
Handle Section

Assembly - Door Hinges



SR
Door Hinge




+

3 pairs

This block contains a circular callout showing the two parts of an SR Door Hinge. The first part is a vertical L-shaped bracket with a hole at the top and a notch at the bottom. The second part is a horizontal L-shaped bracket with a hole at the end and a notch at the top. A plus sign is placed between the two parts. Below the callout, the text '3 pairs' indicates the quantity of these hinges required for the assembly.

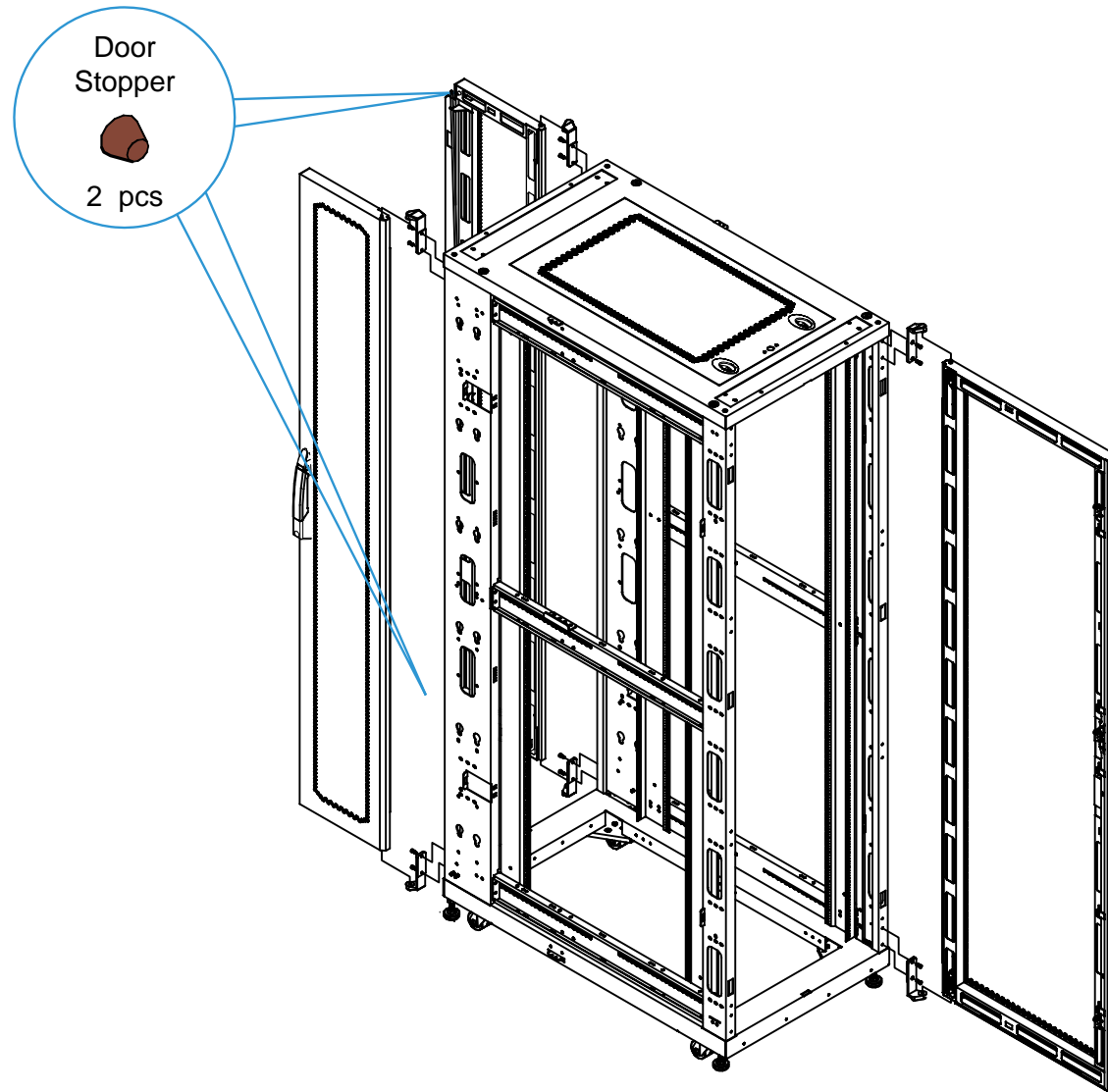
M5x12.5mm
screw



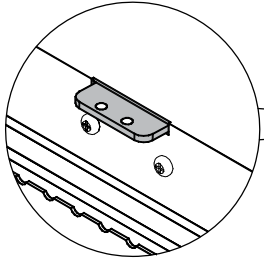
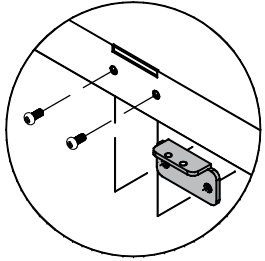
12 pcs

This block contains a circular callout showing a single M5x12.5mm screw. The screw has a hexagonal head with a Phillips cross pattern and a threaded shaft. Below the callout, the text '12 pcs' indicates the quantity of screws required for the assembly.

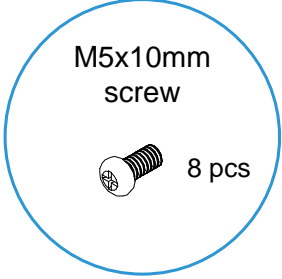
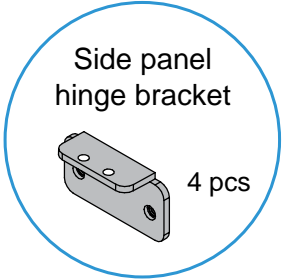
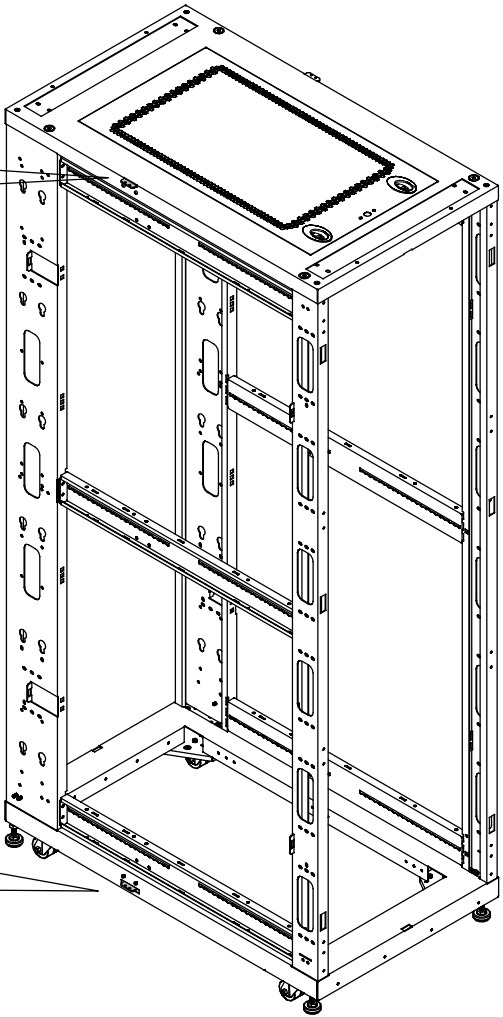
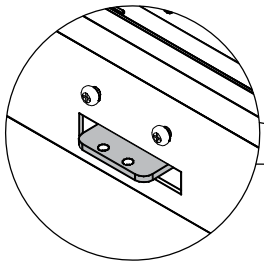
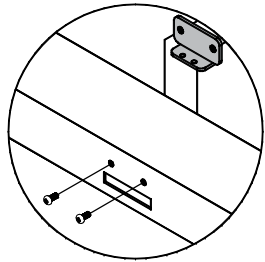
Assembly - Door Stoppers



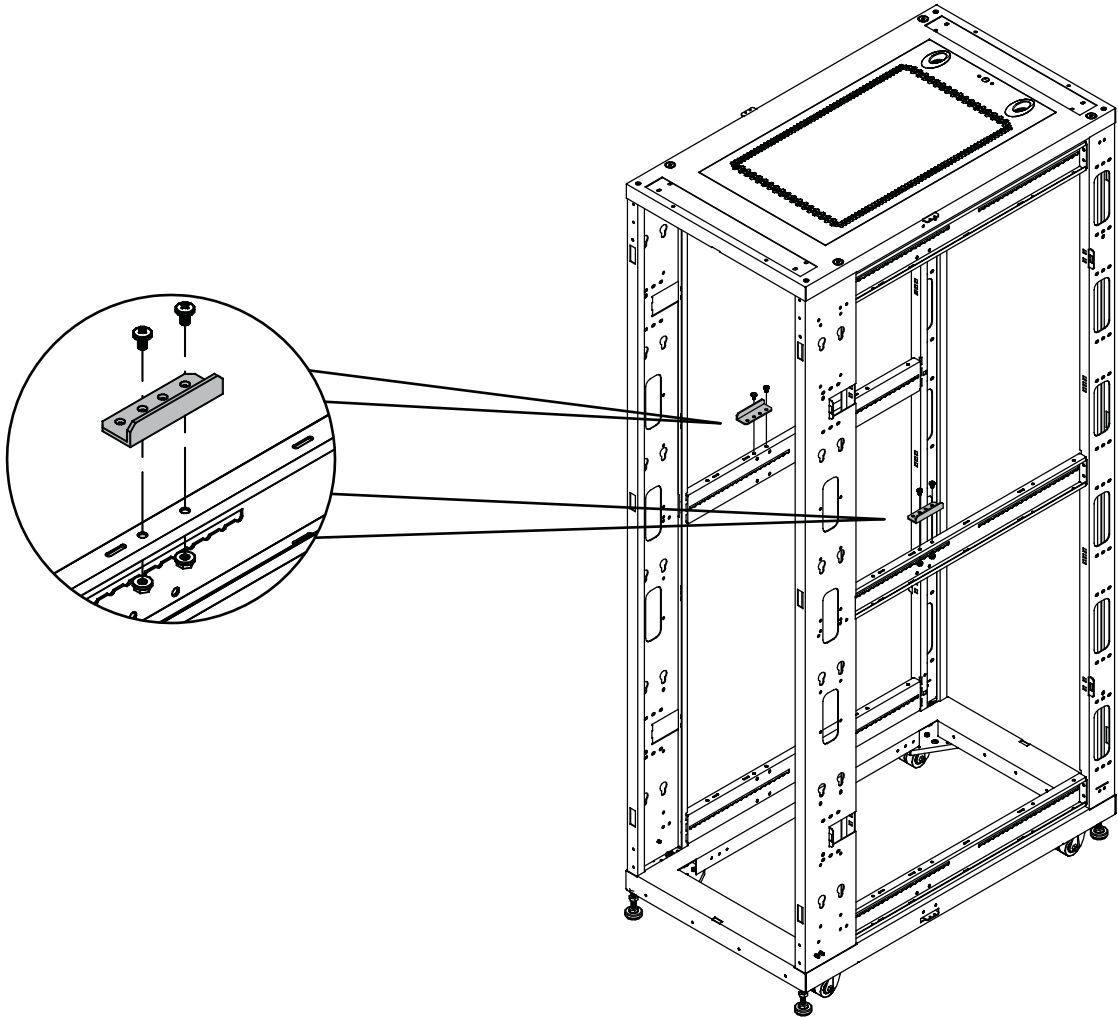
Assembly - Side Panels



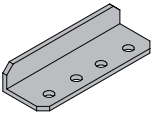
** Repeat for another side



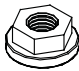
Assembly - Side Panels




Side panel bracket
2 pcs



M6 nut
4 pcs



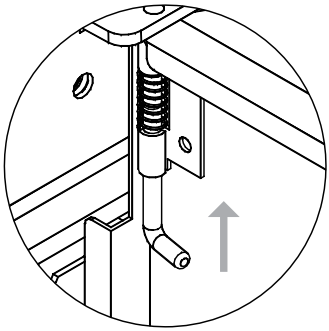
M6x10mm Screw
4 pcs



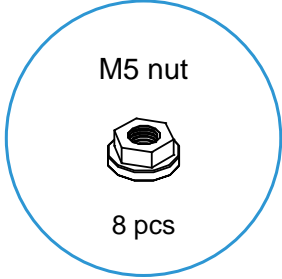
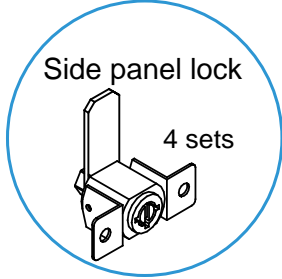
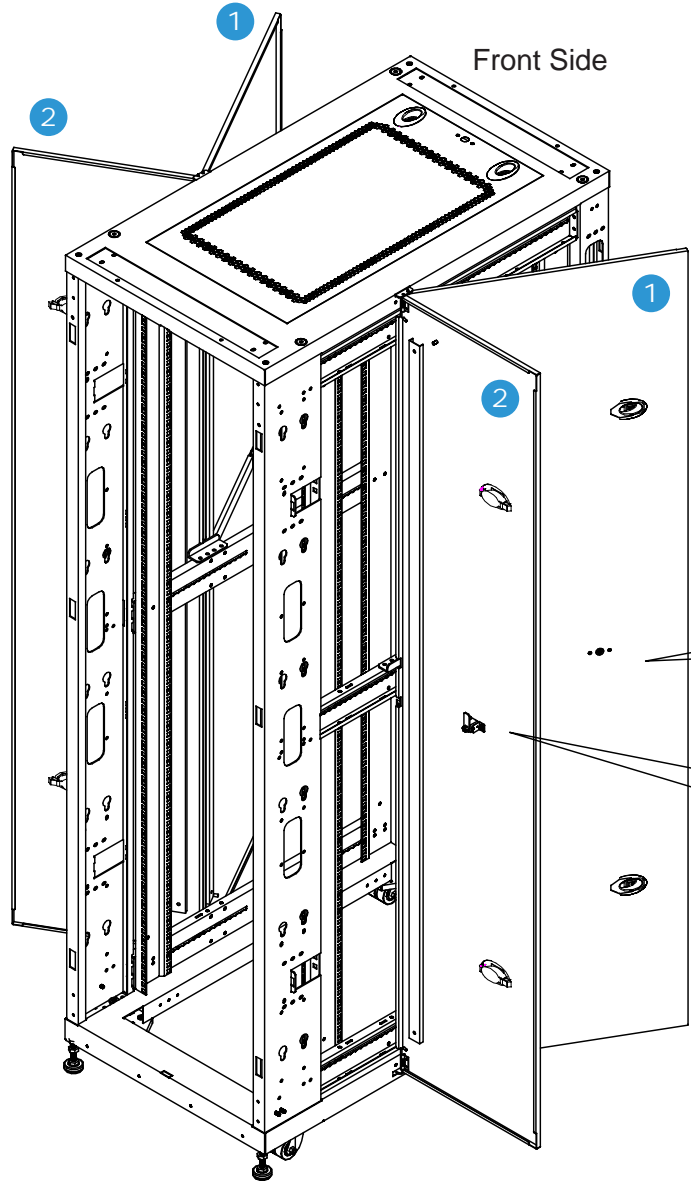
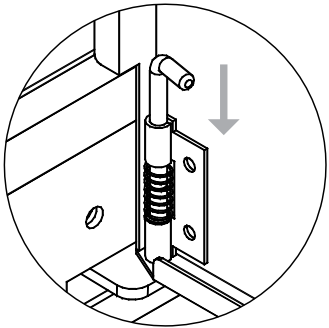
Assembly - Side Panels

1 600mm Split Side Panel

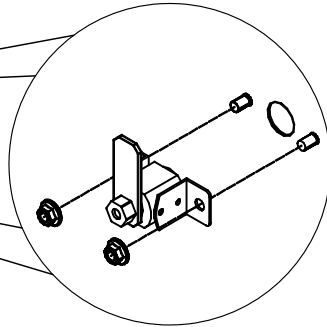
2 400mm Split Side Panel



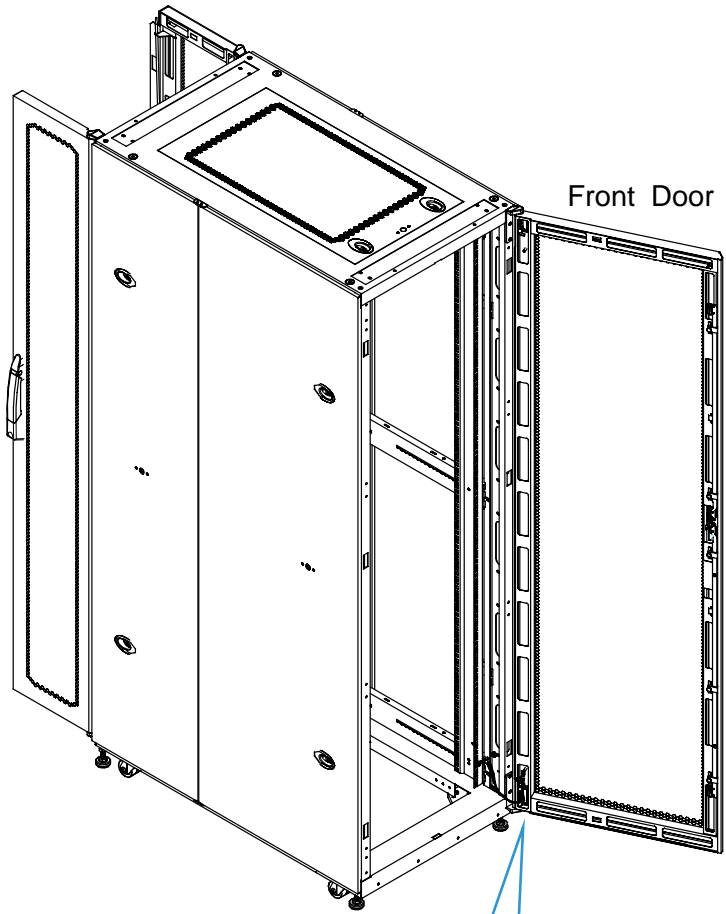
** Repeat for another side




** Repeat for another side



Assembly - Earthing Kits




M6 nut




2 pcs

Earthing Kits

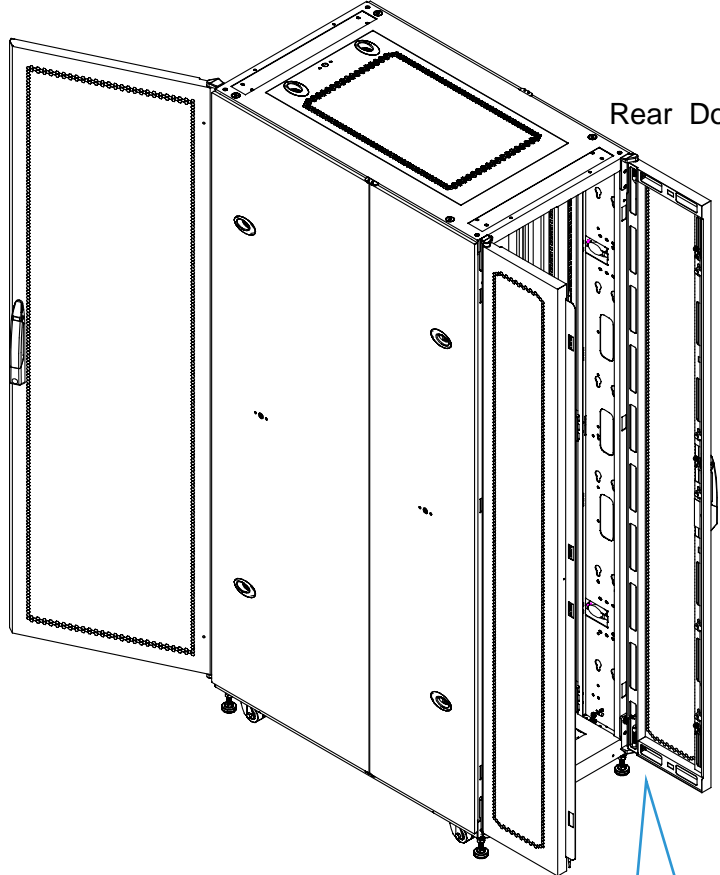
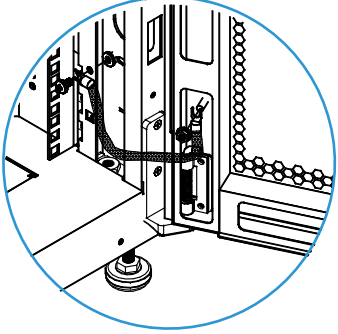


1 pc


M6x10 screw



1 pc




M6 nut



2 pcs

Earthing Kits



1 pc

