

SR server rack 800W

Assembly Guide



ISO-Certified
9001 14001

Designed and manufactured by Austin Hughes

Package Content

- **Carton A**
- **Carton B**

Assembly Steps - Main Frame

- **Main Frame**
- **Castors & Feets**
- **Horizontal Supports & Mounting Rail Brackets**
- **19” Mounting Rails**

Assembly Steps - Claddings

- **Front Door**
- **Rear Door**
- **Door Hinges**
- **Door Stopper**
- **Side Panels**
- **Earthing Kits**

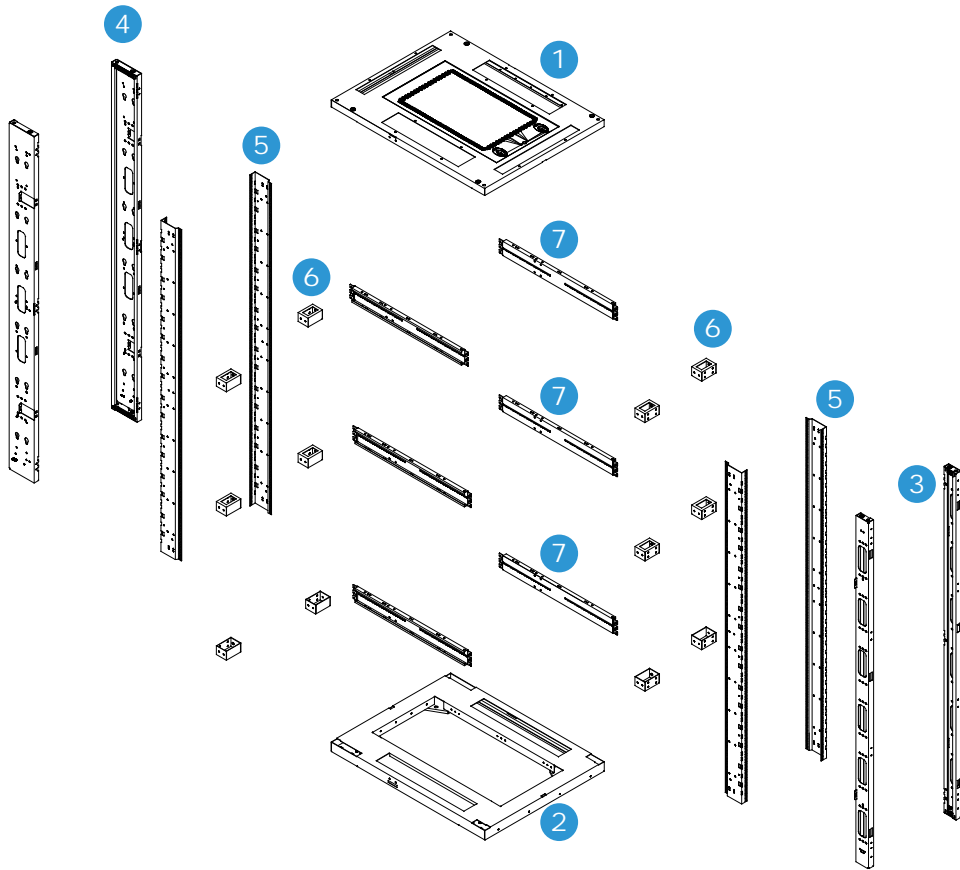
The company reserves the right to modify product specifications without prior notice and assumes no responsibility for any error which may appear in this publication.

All brand names, logo and registered trademarks are properties of their respective owners.

Copyright 2014 Austin Hughes Electronics Ltd.

All rights reserved.

Carton A - Package Content

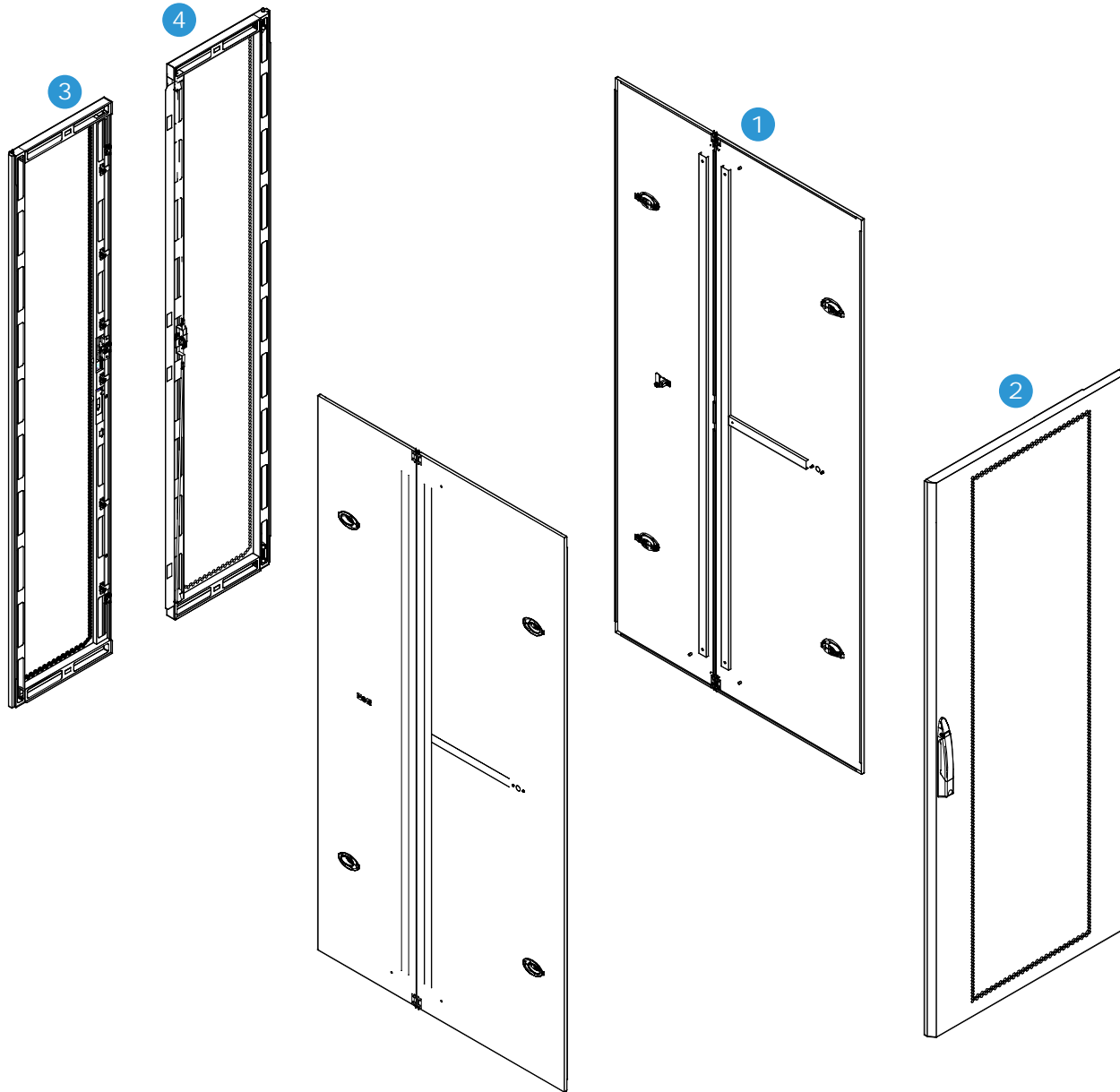


- 1 Top Frame w/ Vented Top Cover x 1 pc
- 2 Bottom Frame x 1 pc
- 3 Front Vertical, left & right
- 4 Rear Vertical, left & right
- 5 19" Mounting Rail x 2 pairs
- 6 Mounting Rail Bracket x 12 pcs
- 7 Horizontal Support x 3 pairs

Assemble Hardware

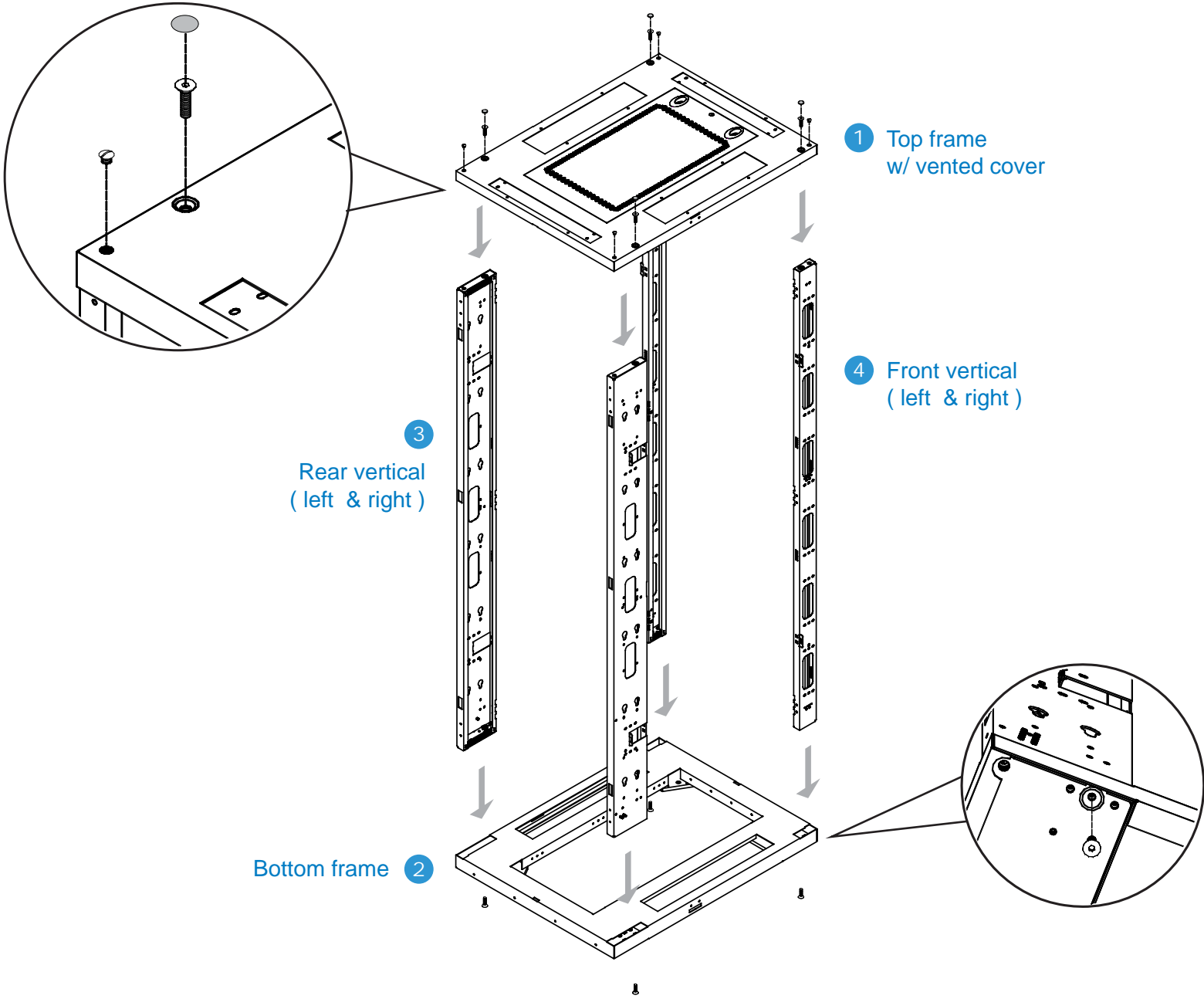


Carton B - Package Content



- 1 Side Panel x 1 pair
- 2 Front Door x 1 pc
- 3 Rear Door, Right Section w/ Handle x 1 pc
- 4 Rear Door, Left Section w/ Locking Bar x 1 pc

Assembly - Main frame

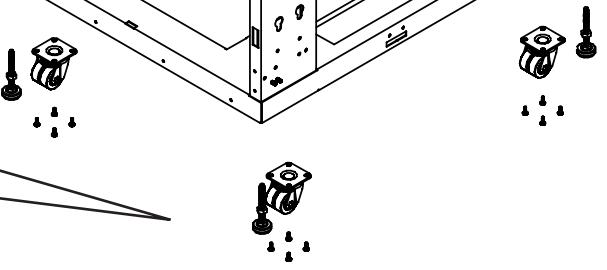
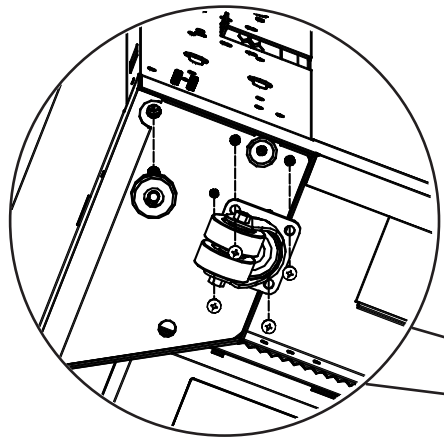
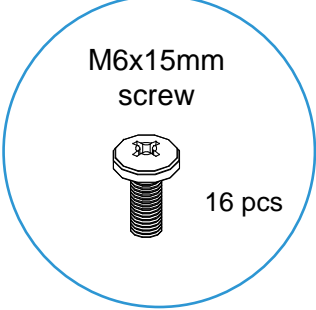
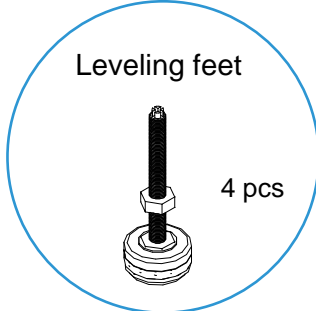
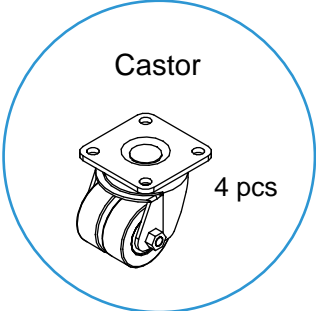
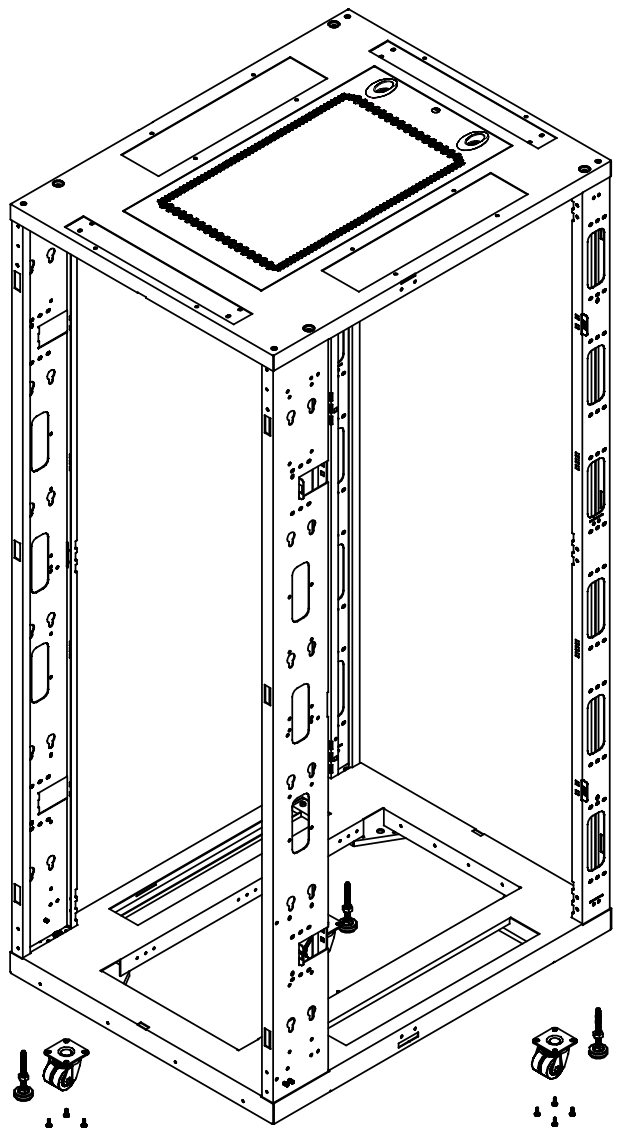


M10x40mm screw
8 pcs

M10Ø15x15mm screw
4 pcs
Top only

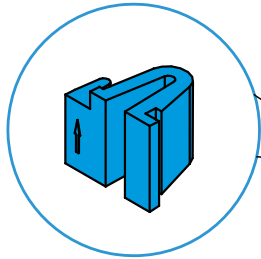
M10 PVC Cover
4 pcs
Top only

Assembly - Castors & Feet

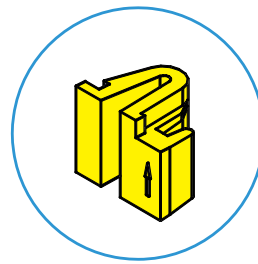
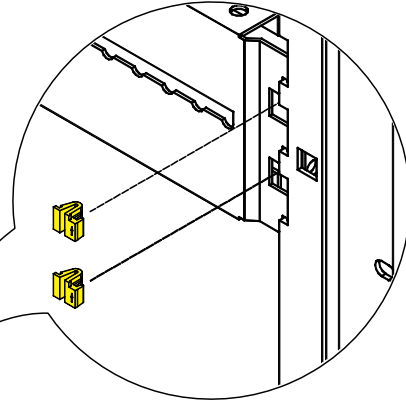
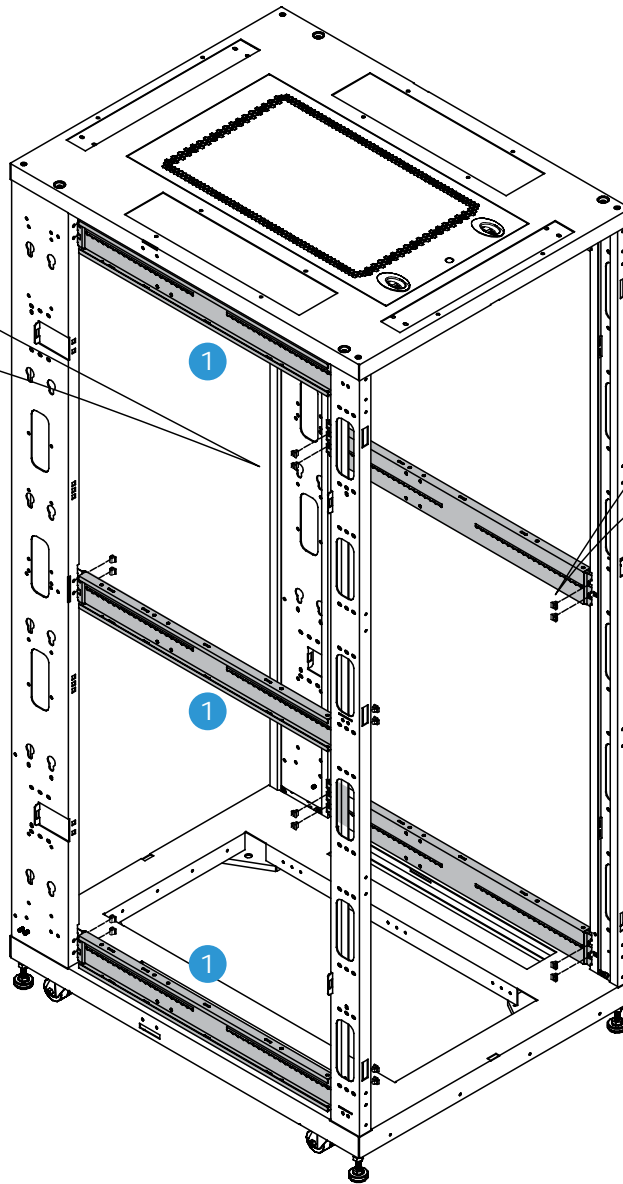


Horizontal Supports - clip version

Left clip x 12 pcs

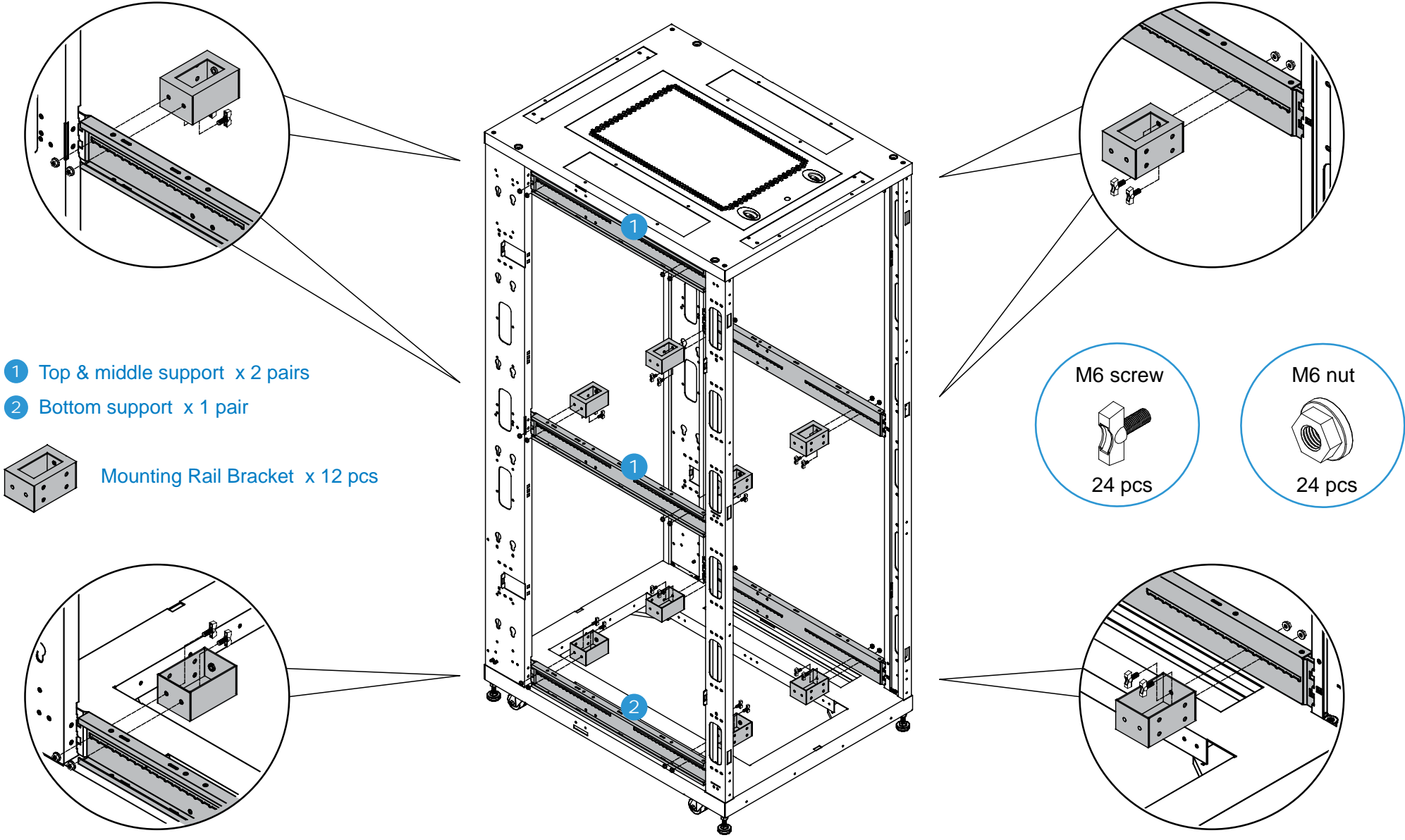


1 Horizontal support x 3 pairs



Right clip x 12 pcs

Assembly - Horizontal Supports & Mounting Rail Bracket

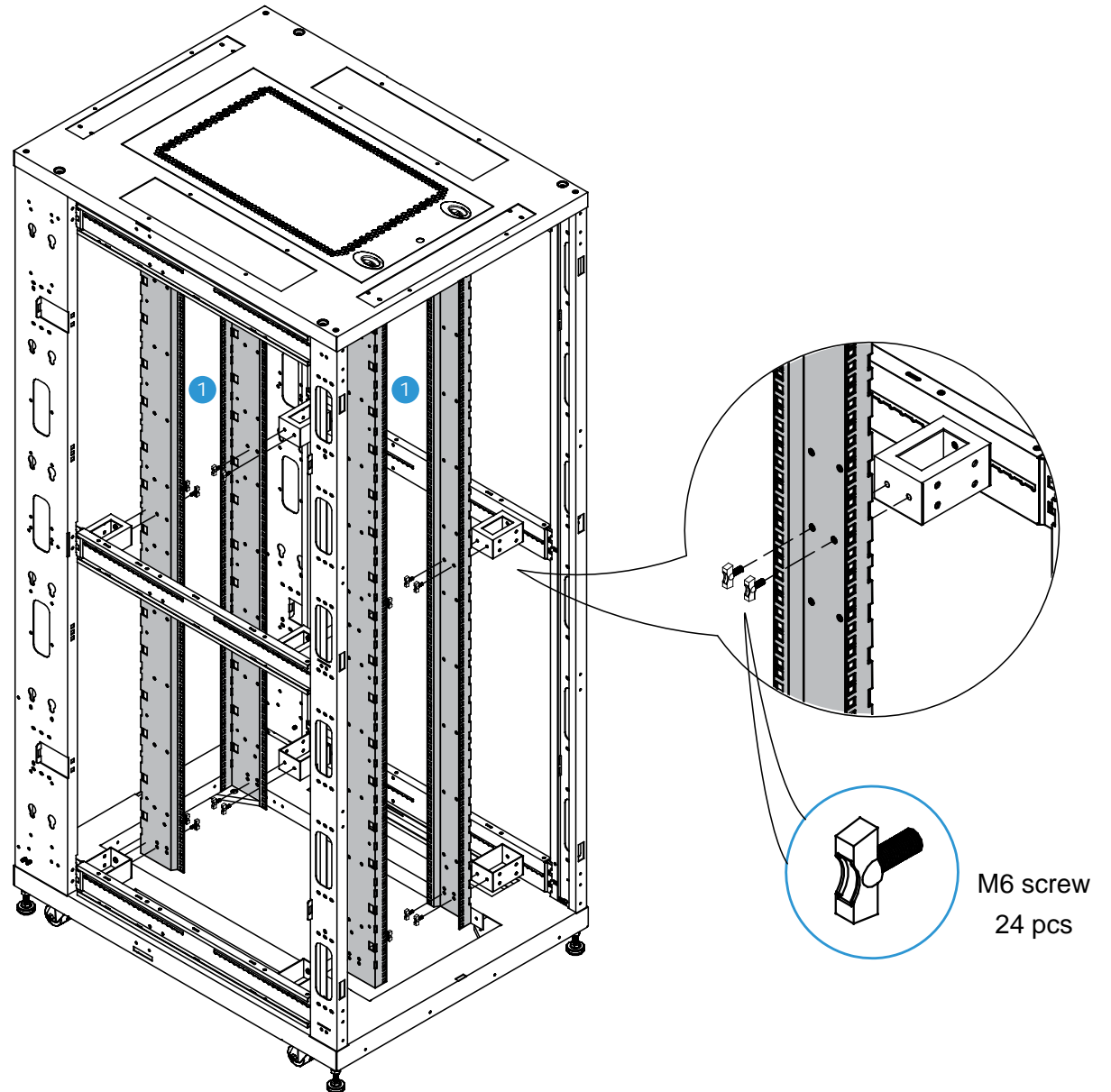


Assembly - 19" Mounting Rails

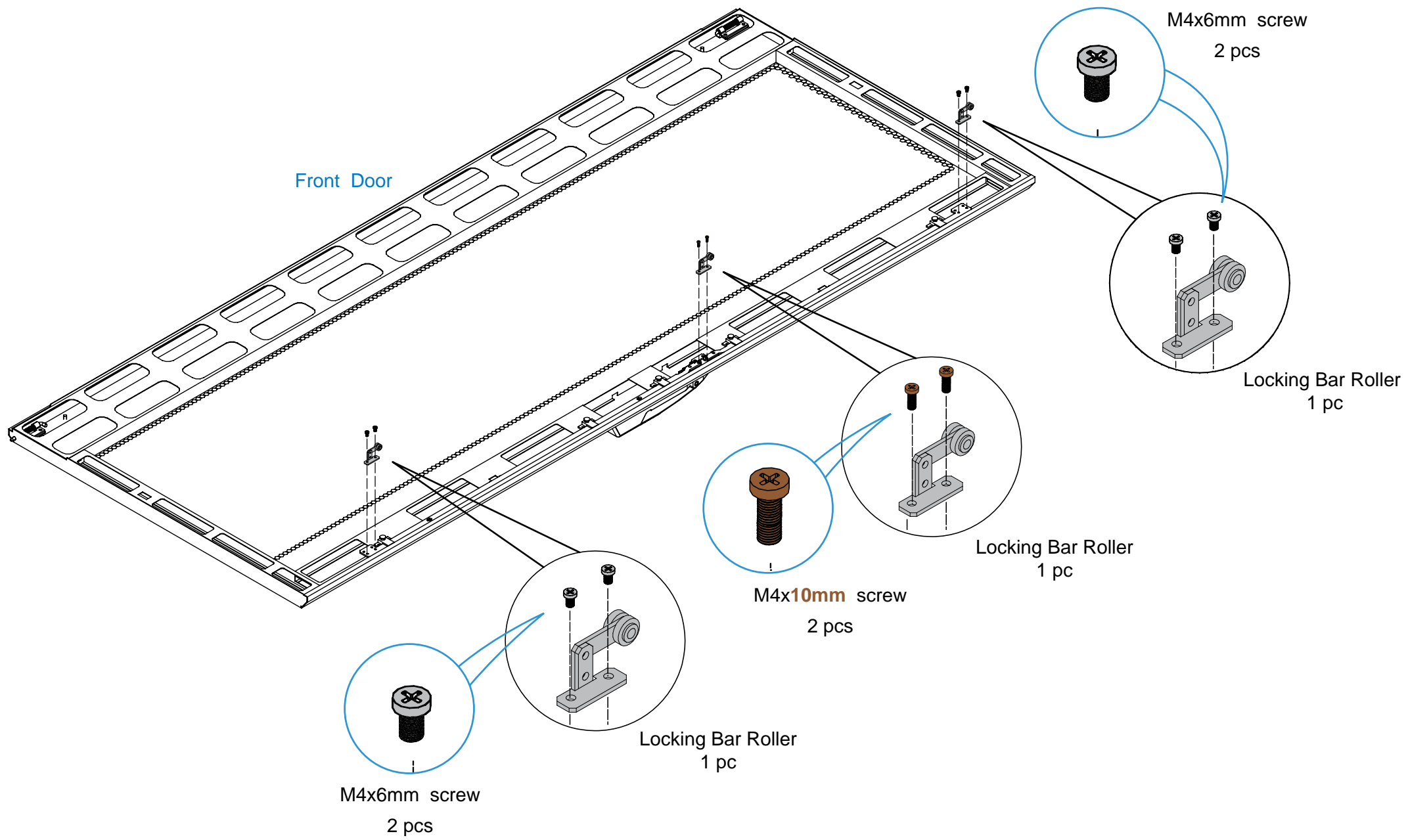
1 19" mounting rail x 2 pairs

** The distance between the front & rear pair of 19" mounting rail is subject to the depth of the followings :

- the rack
- the equipment
- the shelf




Assembly - Front Door

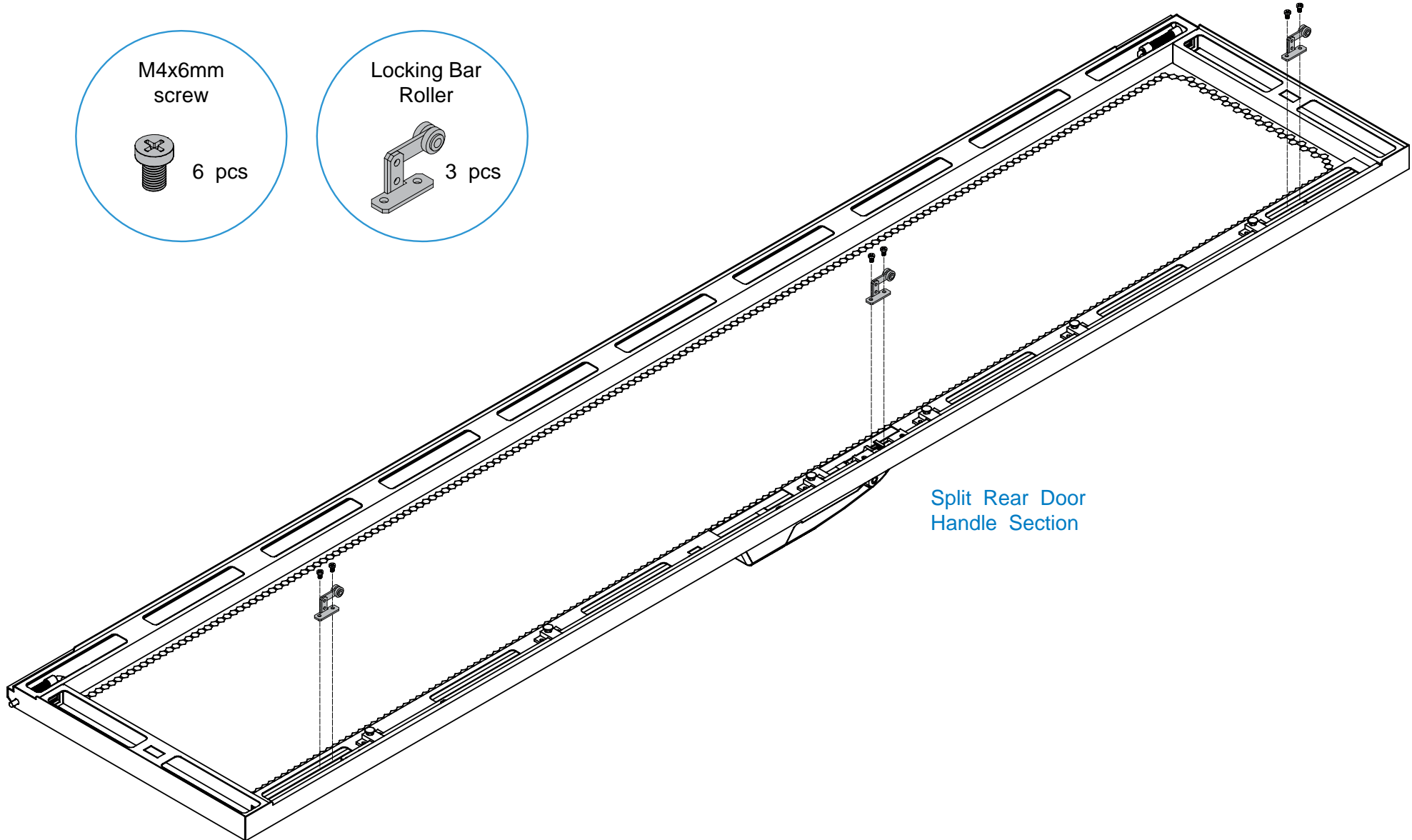
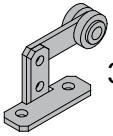


Assembly - Rear Door

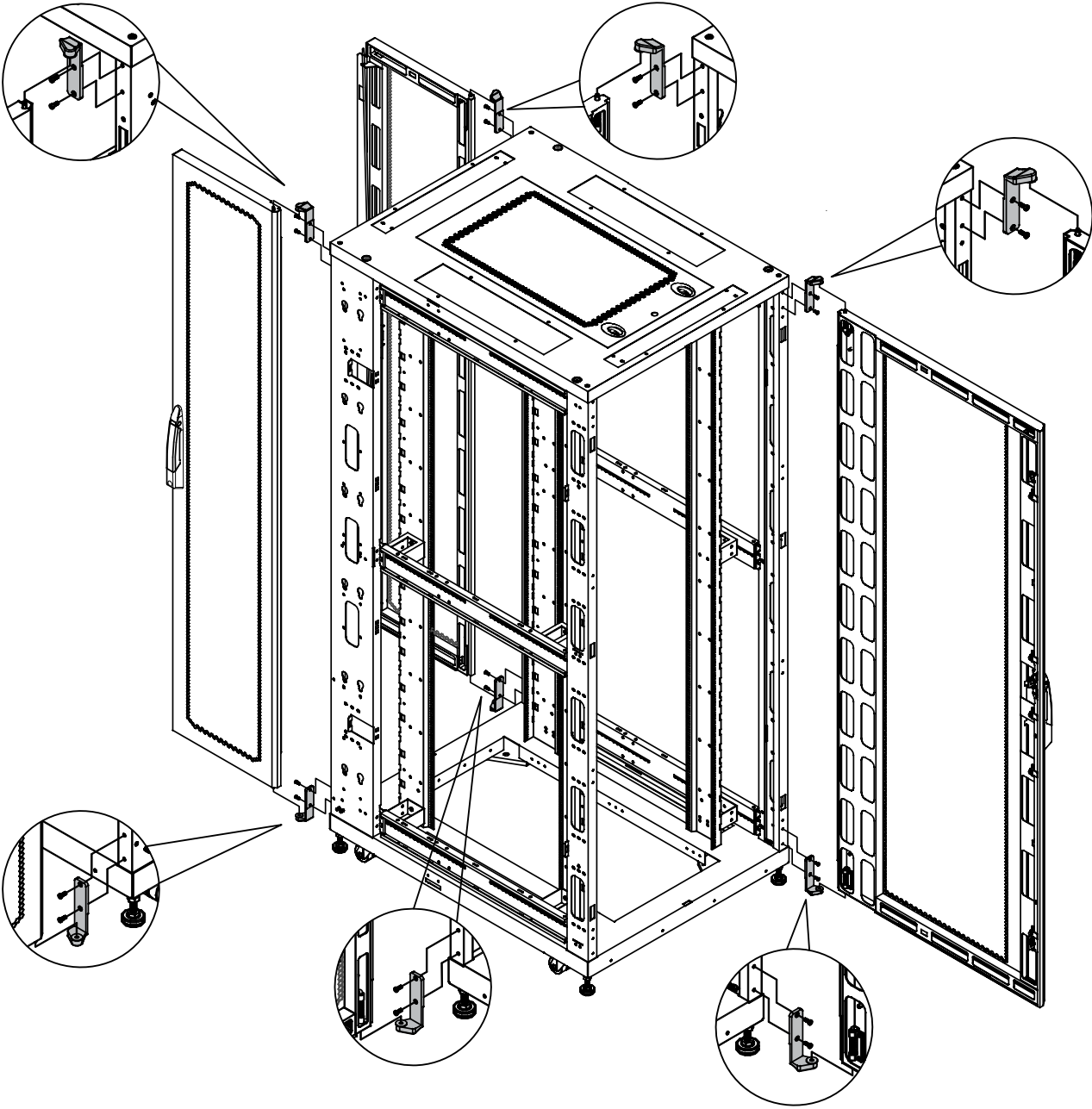
M4x6mm screw
6 pcs



Locking Bar Roller
3 pcs



Assembly - Door Hinges



SR
Door Hinge

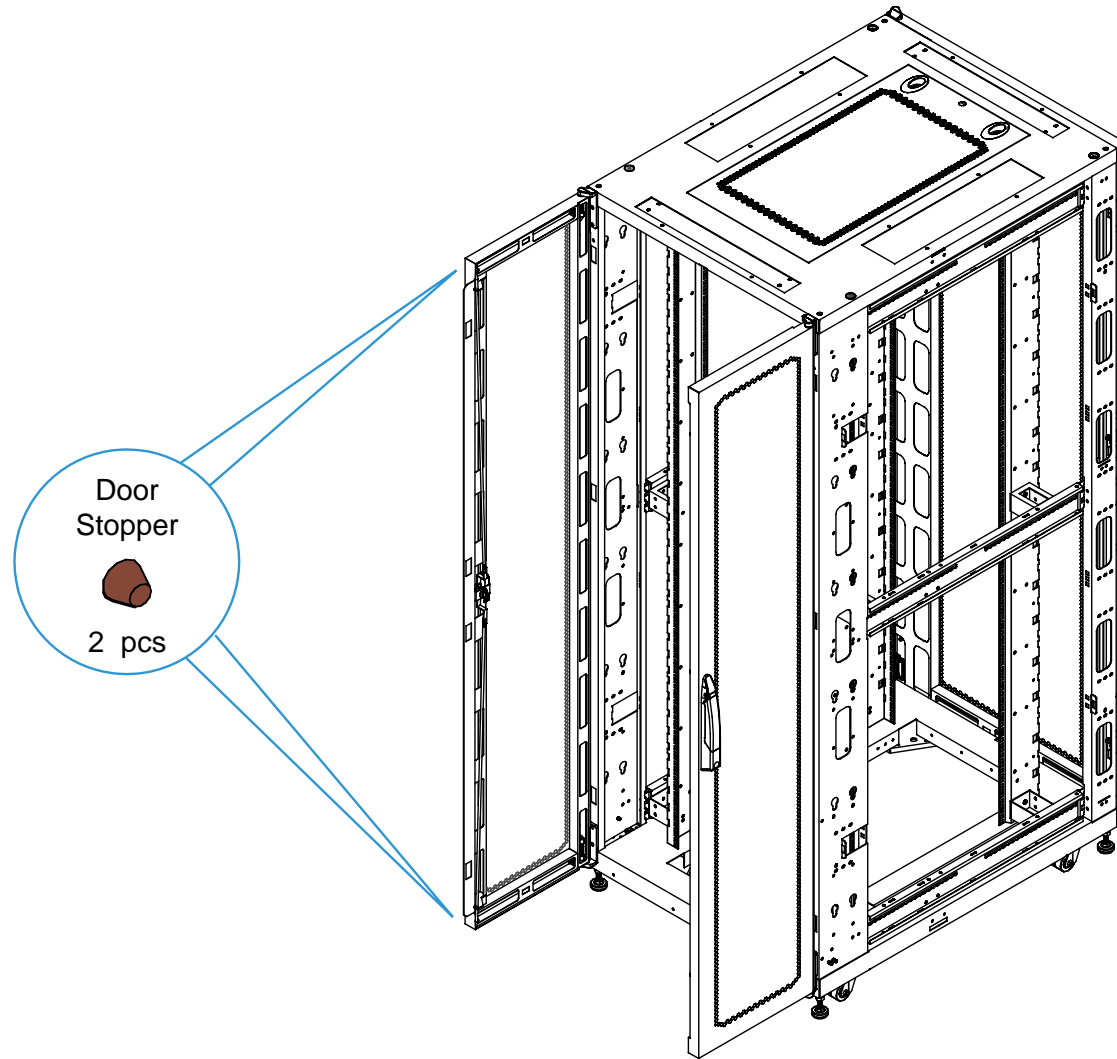
+

3 pairs

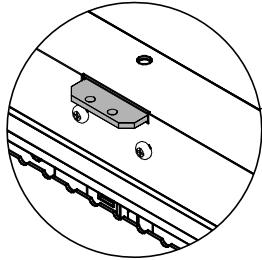
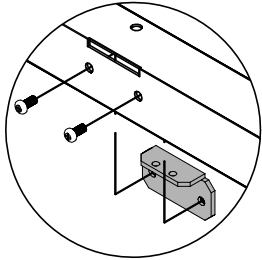
M5x12.5mm
screw

12 pcs

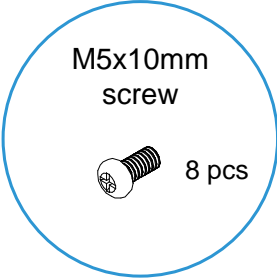
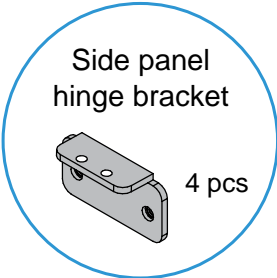
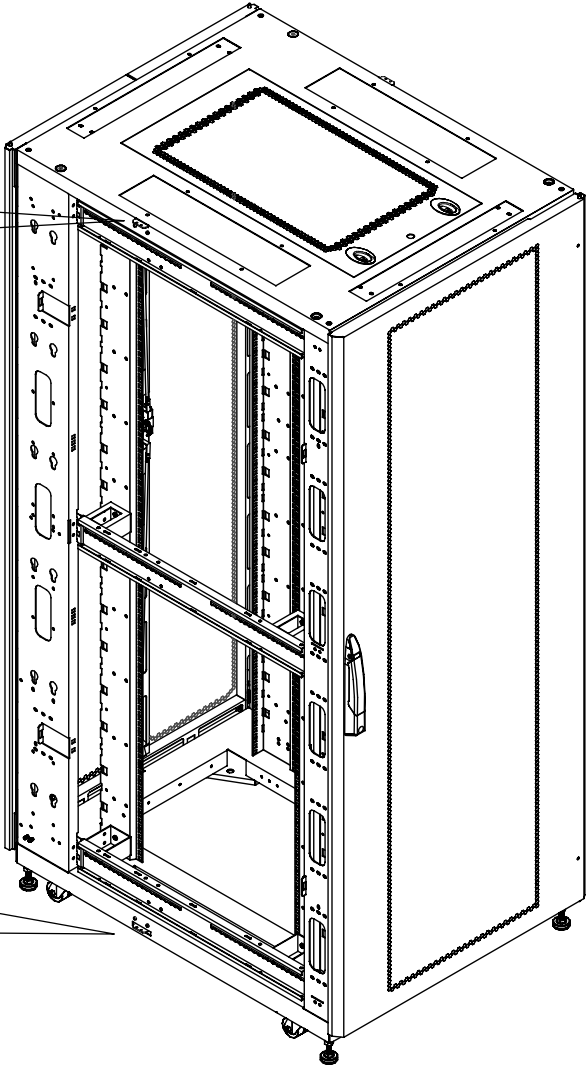
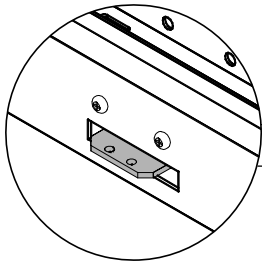
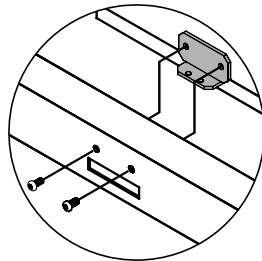
Assembly - Door Stoppers



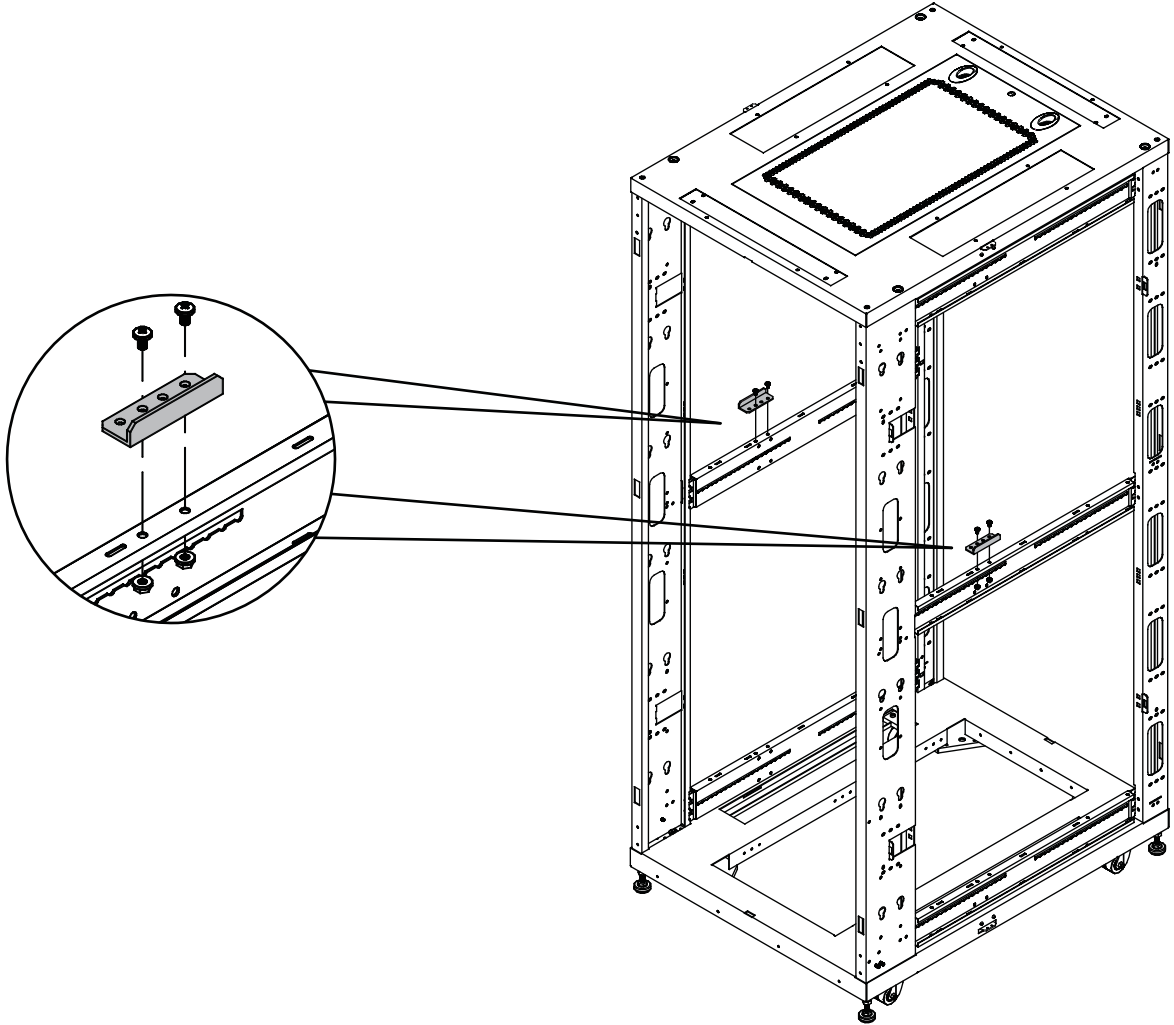
Assembly - Side Panels

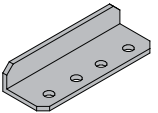


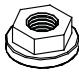
** Repeat for another side




Assembly - Side Panels



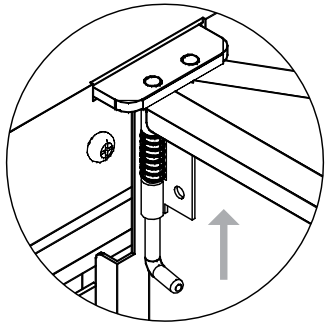
Side panel bracket

2 pcs

M6 nut

4 pcs

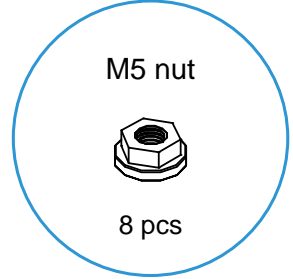
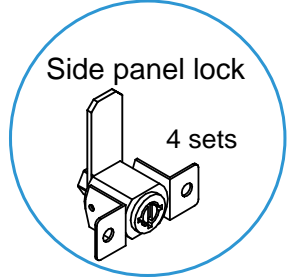
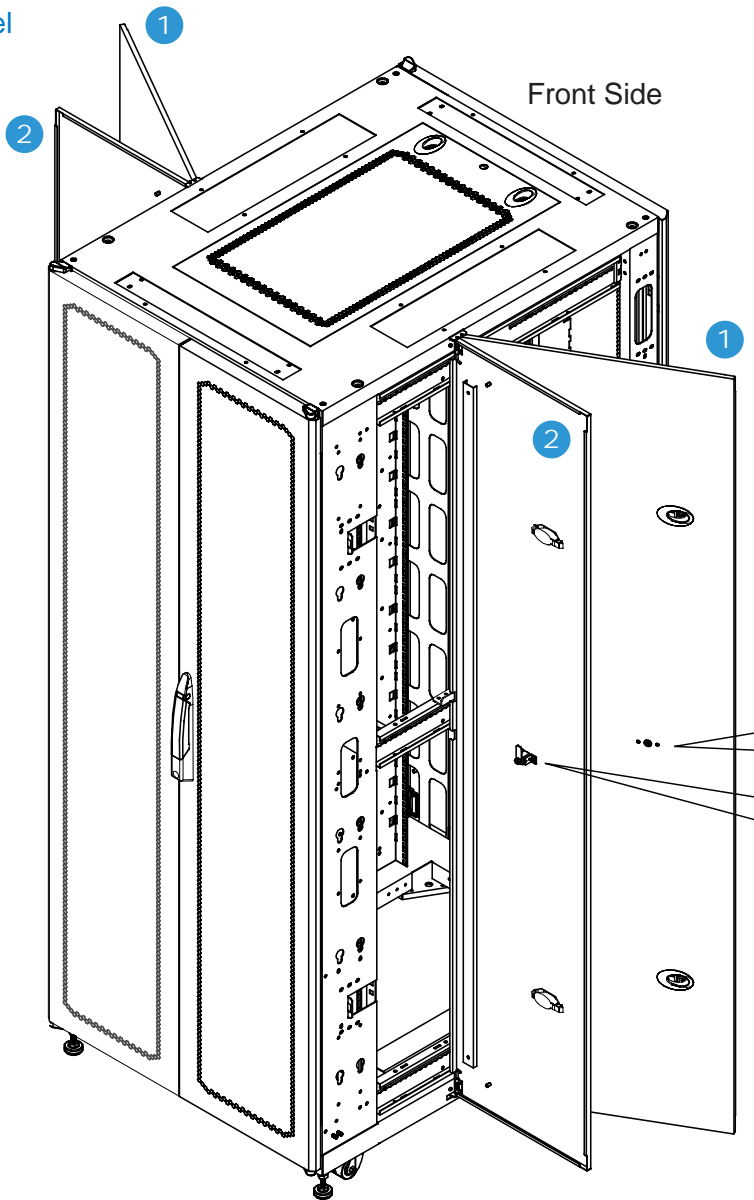
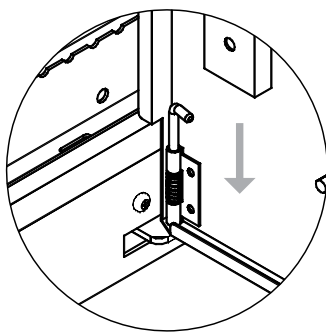
M6x10mm Screw

4 pcs

Assembly - Side Panels

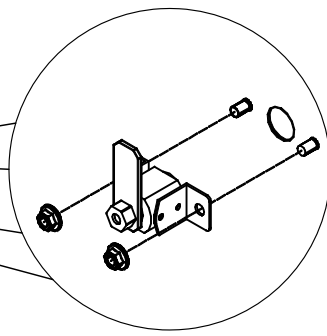
- 1 600mm Split Side Panel
- 2 400mm Split Side Panel



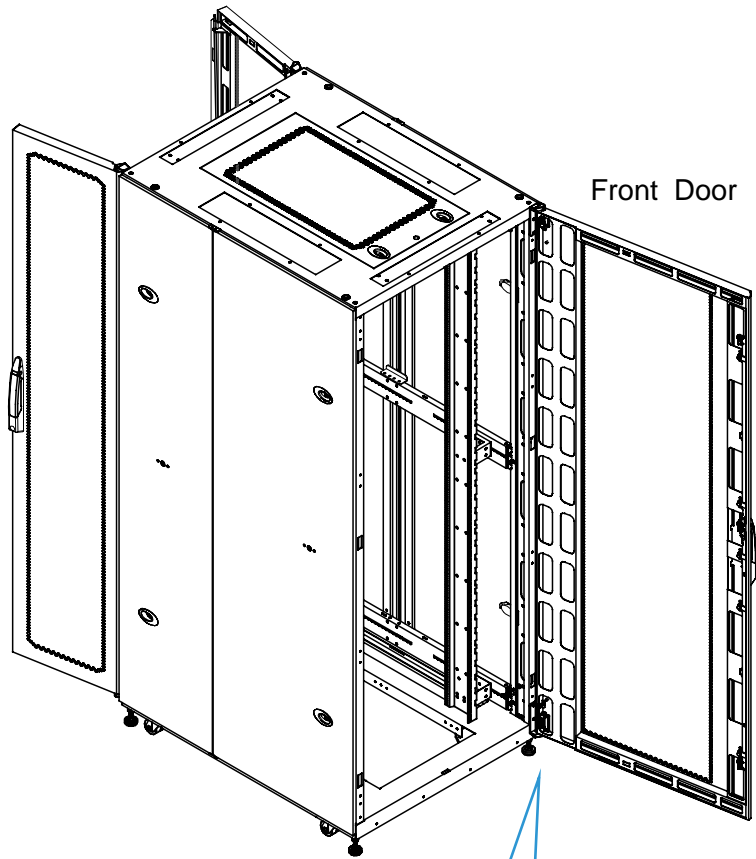
** Repeat for another side





** Repeat for another side




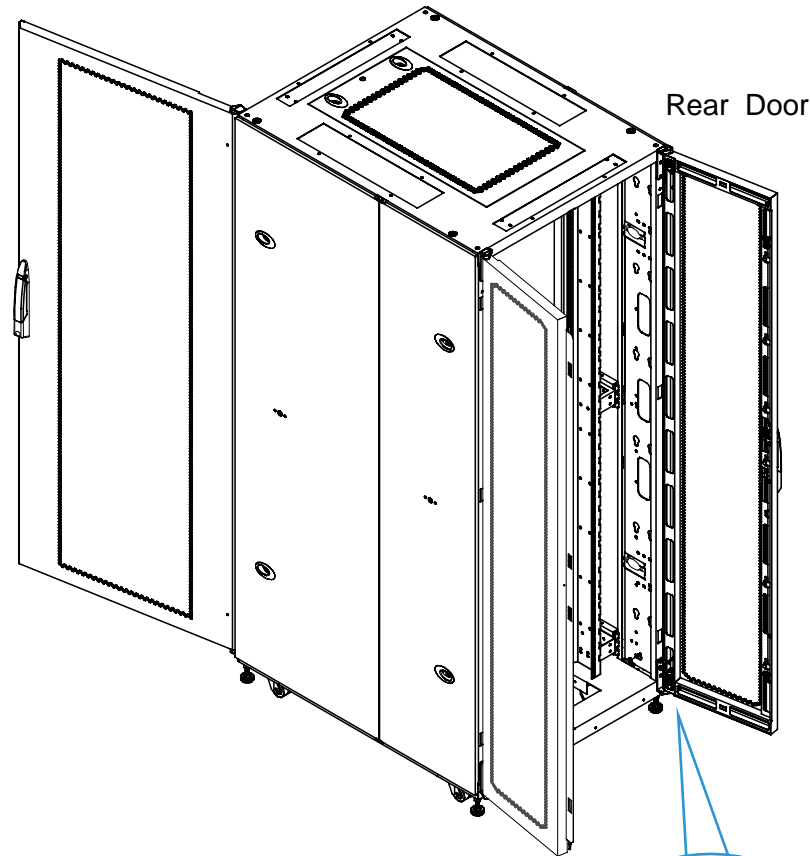
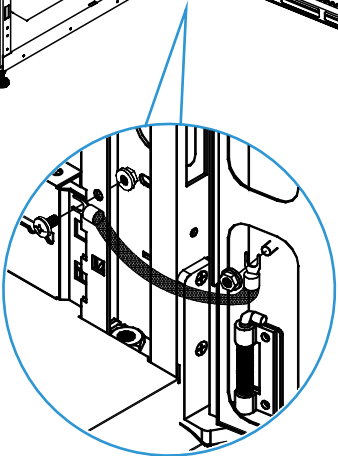
Assembly - Earthing Kits





M6 nut

2 pcs

Earthing Kits

1 pc

M6x10 screw

1 pc



M6 nut

2 pcs

Earthing Kits

1 pc

