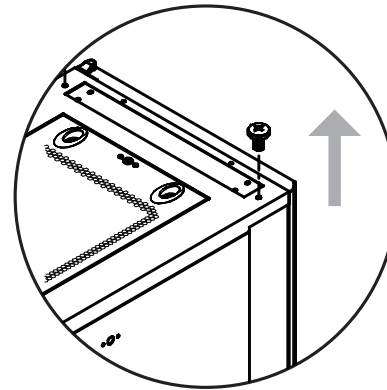
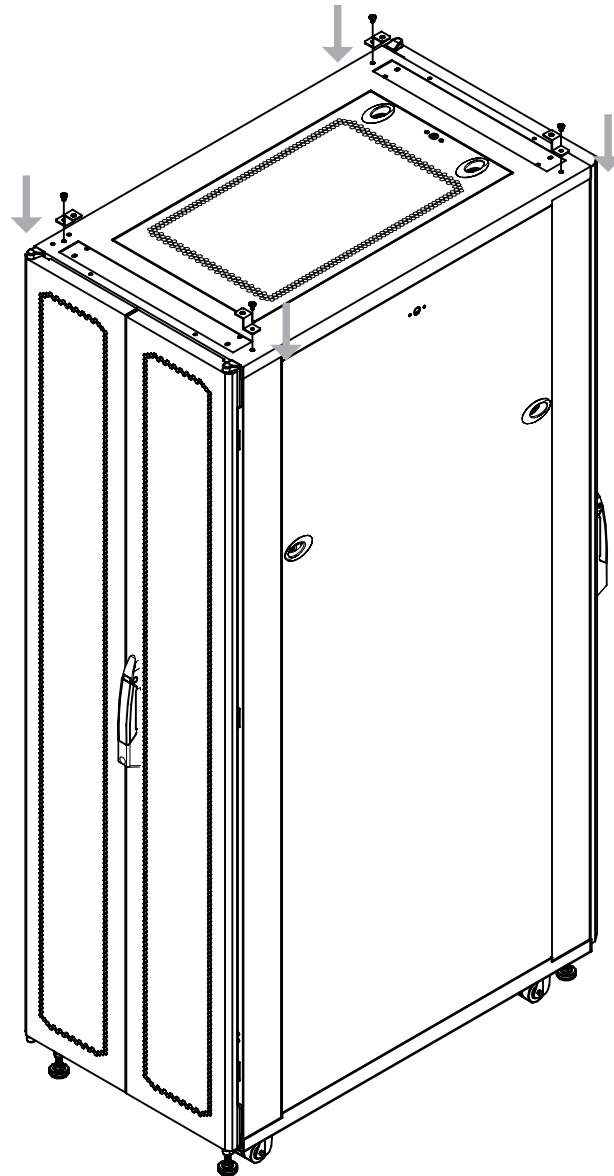


**Step 1**

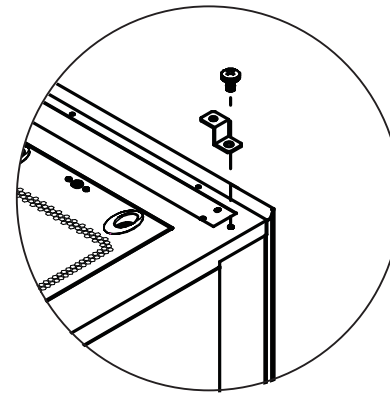
Release 4 screws for next step



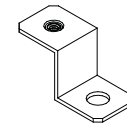


#### Step 2

Place 4 raised brackets with M6 x 10mm screws



Z bracket

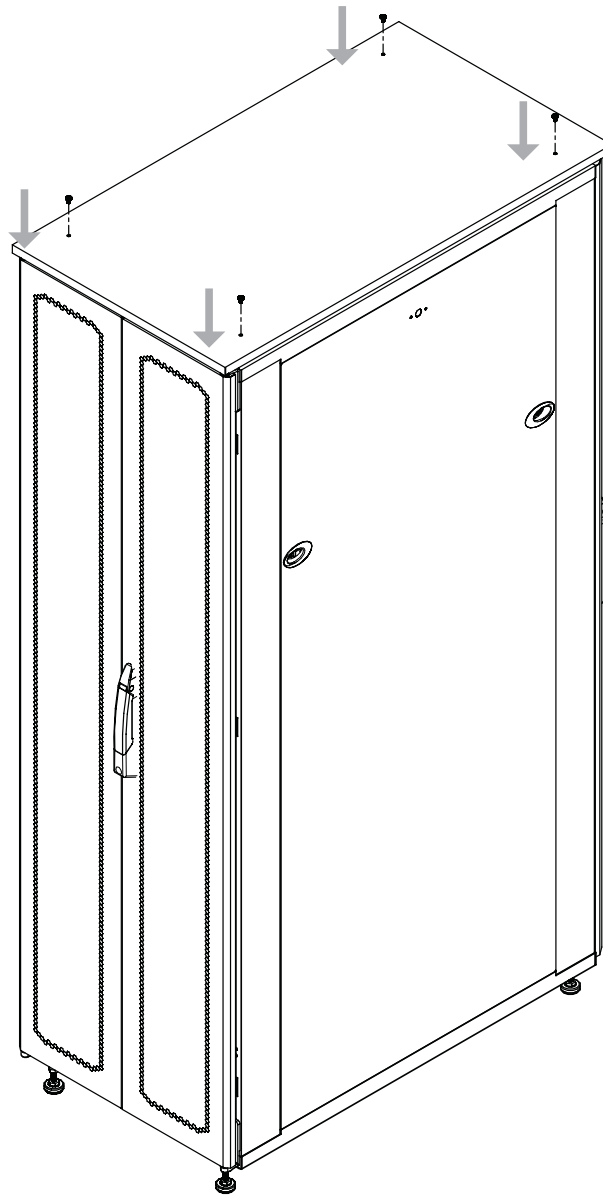


4 pcs

M6 x 10mm  
screw from step 1

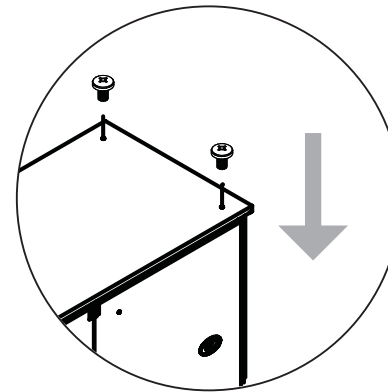


4 pcs

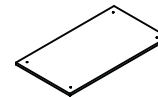


#### Step 3

Install the raised water resistant top cover



Raised Water Resistant Top Cover



1 pc

M6 x 10mm screw



4 pcs