

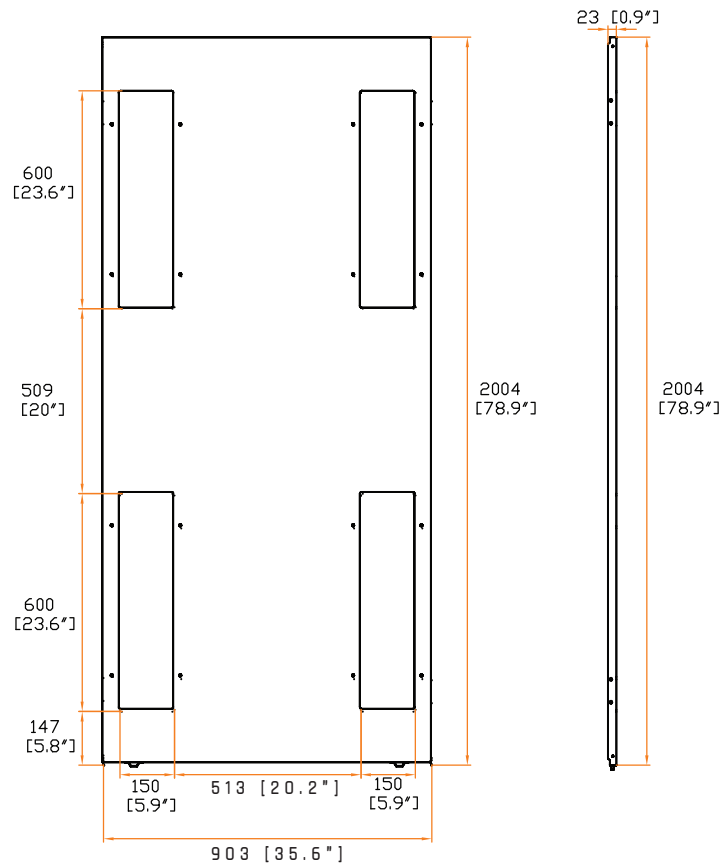
Side Partition with Cable Brush, pc

- Ideal for bayed racks
- Brush size : 150 x 600 mm
- Allow cable passage to adjacent racks
- Hole contains brushes to control airflow

Part no. :
BVP-4512-NSR



Front view :



unit : mm / in.

The company reserves the right to modify product specifications without prior notice and assumes no responsibility for any error which may appear in this publication.

Copyright 2020 Austin Hughes Electronics Ltd. All rights reserved.



Design. Manufacturing. Global Services.

Description	: - Ideal for bayed racks - Allow cable passage to adjacent racks - Hole contains brushes to control airflow
Brushes size	: 150 x 600 mm / 5.9 x 23.6 in.
Material	: Steel
Coating	: Powder
Dimension	: 903 (W) x 2004 (H) x 23 (D) mm / 35.6 (W) x 78.9 (H) x 0.9 (D) in.
Color	: Black (RAL-9005) or White (RAL-9016)
Gross weight	: - kg / - lb
Environmental	: RoHS3 & REACH compliant by SGS

