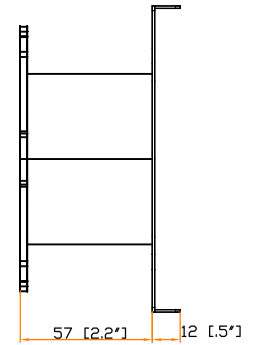
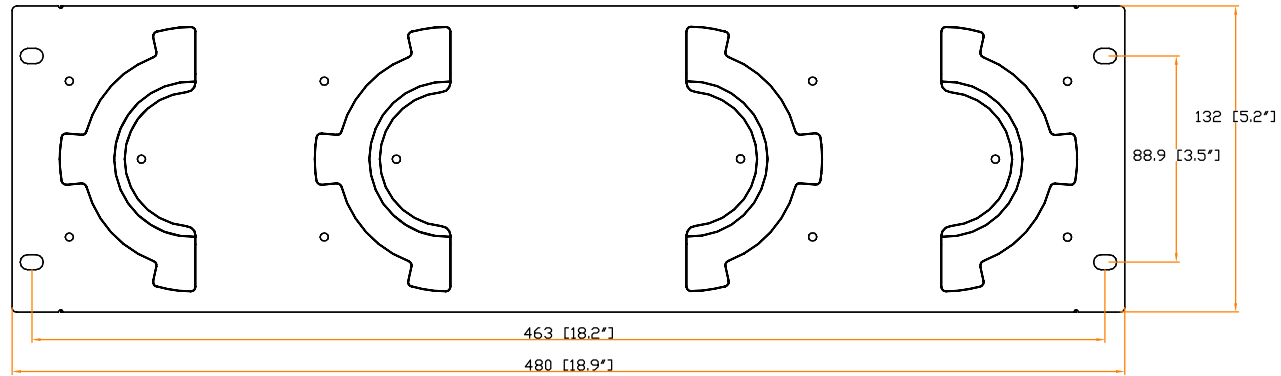
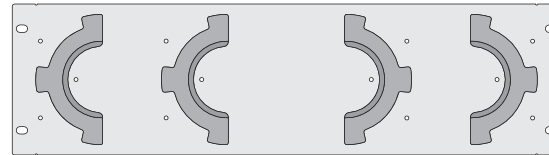


Front view:

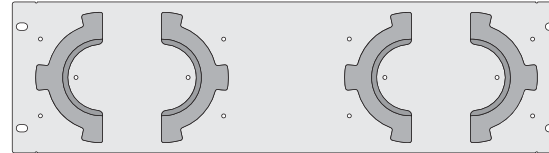
Side view:



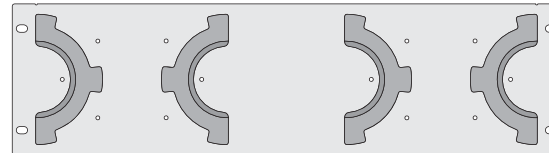
Pattern 1 :



Pattern 2 :



Pattern 3 :



Screw hardware set :

- M6 screw w/ washer & cage nut x 4

unit : mm / in.

The company reserves the right to modify product specifications without prior notice and assumes no responsibility for any error which may appear in this publication.

Copyright 2020 Austin Hughes Electronics Ltd. All rights reserved.