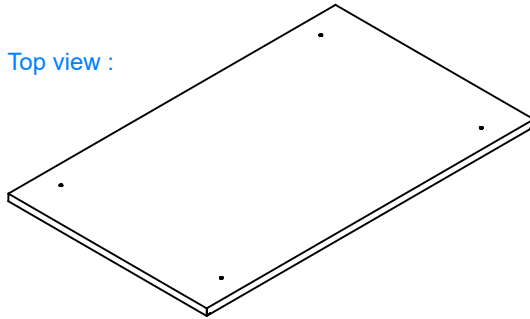
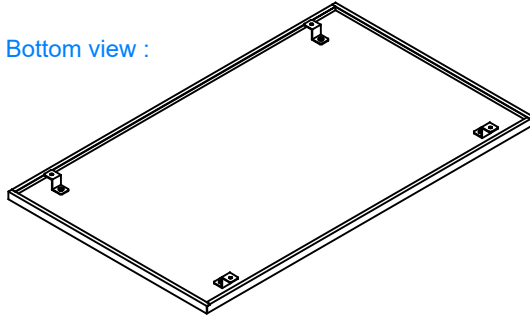


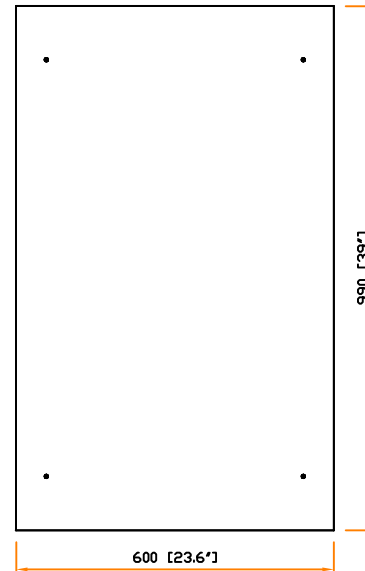
Top view :



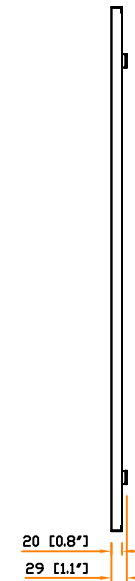
Bottom view :



Top view :



Side view :



Front view :




The company reserves the right to modify product specifications without prior notice and assumes no responsibility for any error which may appear in this publication.

Copyright 2021 Austin Hughes Electronics Ltd. All rights reserved.



Design. Manufacturing. Global Services.

Material : Steel  
 Coating : Powder  
 Screw : M6 x 10mm screw x 4 & Z bracket x 4  
 Dimension : 600 (W) x 990 (D) x 20 (H) mm / 23.6 (W) x 39 (D) x 0.8 (H) in.  
 Color : Black ( RAL-9005 ) or White ( RAL-9016 )  
 Gross weight : - kg / - lb  
 Environmental : RoHS3 & Reach compliant by SGS  **REACH**