

| Circuit Protection | Code |
|--------------------|-----------|
| Fuse | F |
| MCB | CR |



| 32A model : | Circuit Protection |
|---|---------------------|
| VP12C13/12C19-32A-MK/ F _EN/2 B -1 | Resettable Fuse x 6 |
| VP12C13/12C19-32A-MK/ CR _EN/2 T -1 | 1-pole MCB x 6 |

- Input Rating : 32Amp, 400V 3PH
- Cordset : 5-wire 2 meter 4mm sq. H05V V-F cordset
- Protection : 16A resettable fuse or 16A single pole hydraulic MCB x 6
- PH-1 - Bank 1 : Output 16A max., C13 #1-2 + C19 #C1-C2
- Bank 2 : Output 16A max., C13 #3-4 + C19 #C3-C4
- PH-2 - Bank 3 : Output 16A max., C13 #1-2 + C19 #C1-C2
- Bank 4 : Output 16A max., C13 #3-4 + C19 #C3-C4
- PH-3 - Bank 5 : Output 16A max., C13 #1-2 + C19 #C1-C2
- Bank 6 : Output 16A max., C13 #3-4 + C19 #C3-C4
- Weight : Net 9.5 Kg / Gross 10.5 Kg

| PDU Feed | Code |
|----------|----------|
| Bottom | B |
| Top | T |

| Chassis Color | Code |
|---------------|----------|
| Black | 1 |
| White | 2 |
| Red | 3 |
| Blue | 4 |
| Green | 5 |
| Orange | 6 |
| Yellow | 7 |
| Purple | 8 |



| 16A model : | Circuit Protection |
|---|---------------------|
| VP12C13/12C19-16A-MK/ F _EN/2 B -1 | Resettable Fuse x 3 |
| VP12C13/12C19-16A-MK/ CR _EN/2 T -1 | 1-pole MCB x 3 |

- Input Rating : 16Amp, 400V 3PH
- Cordset : 5-wire 2 meter 1.5mm sq. H05V V-F cordset
- Protection : 16A resettable fuse or 16A single pole hydraulic MCB x 3
- PH-1 : Output 16A max., C13 #1-4 + C19 #C1-C4
- PH-2 : Output 16A max., C13 #1-4 + C19 #C1-C4
- PH-3 : Output 16A max., C13 #1-4 + C19 #C1-C4
- Weight : Net 9.5 Kg / Gross 10.5 Kg

Standard color : Black

- Operating Temperature : -5 to 60 °C
- Storage Temperature : -25 to 65 °C
- Operating Altitude : 0 to 2,000 m
- Storage Altitude : 0 to 15,000 m
- Humidity : 8 to 95% RH, non-condensing

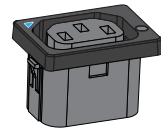
Meter Features (MK meter)

- Local Display : Hotswappable 1.8" Color LCD
- Phase level x 3 : Current (A), Phase Voltage (V), Energy (kW), Power Factor & Frequency (Hz)
- Accuracy : Billing Grade +/-1%

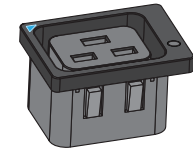
- EMC Compliance : CE / EMC
- Safety Compliance : CE / LVD & UKCA
- Tested to EN 62368-1:2014 / A11:2017 standard
- Tested to EN 60730-1:2016 / A1:2019 standard
- Environment Compliance : RoHS3 & REACH

Lockable IEC Outlet

- Patented design for InfraPower PDU



C13 Outlet



C19 Outlet

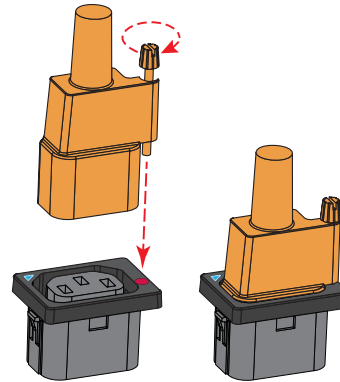
Lockable IEC Cable

- Patented design of InfraPower PDU
- Low cost, easy to lock & secure
- Proprietary for lockable IEC outlet
- Applicable to standard IEC outlet
- 6 colors & 3 lengths available
- Custom color & length on request
- VDE & ENEC approval

C13 - C14

H05VV-F 3G 0.75mm²

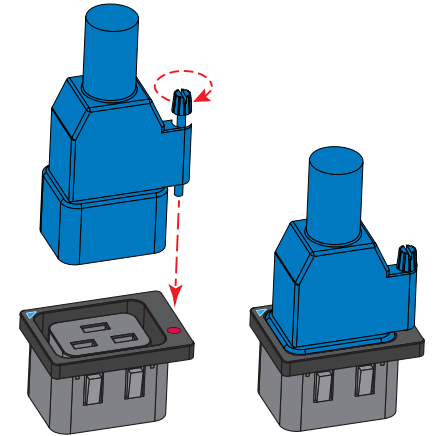
| Cable Color | 0.5M | 1M | 2M |
|-------------|------|----|----|
| Black | ✓ | ✓ | ✓ |
| Grey | ✓ | ✓ | ✓ |
| Red | ✓ | ✓ | ✓ |
| Blue | ✓ | ✓ | ✓ |
| Green | ✓ | ✓ | ✓ |
| Orange | ✓ | ✓ | ✓ |



C19 - C20

H05VV-F 3G 1.5mm²

| Cable Color | 1M | 2M |
|-------------|----|----|
| Black | ✓ | ✓ |
| Grey | ✓ | ✓ |
| Red | ✓ | ✓ |
| Blue | ✓ | ✓ |
| Green | ✓ | ✓ |
| Orange | ✓ | ✓ |

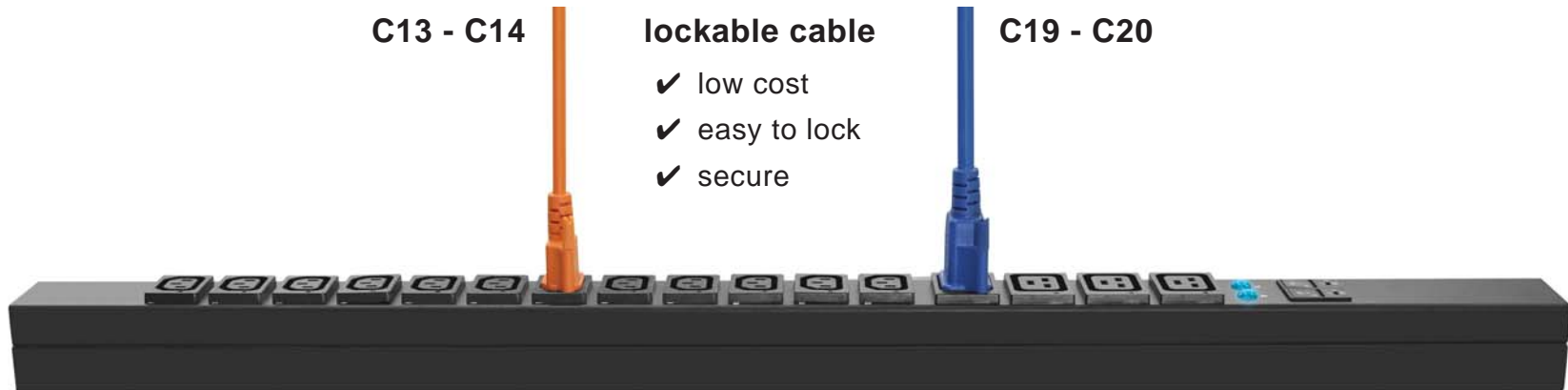


C13 - C14



lockable cable

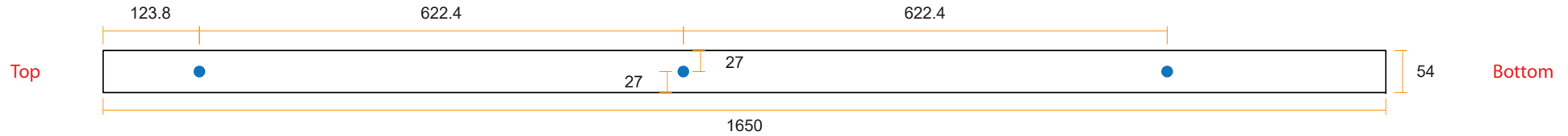
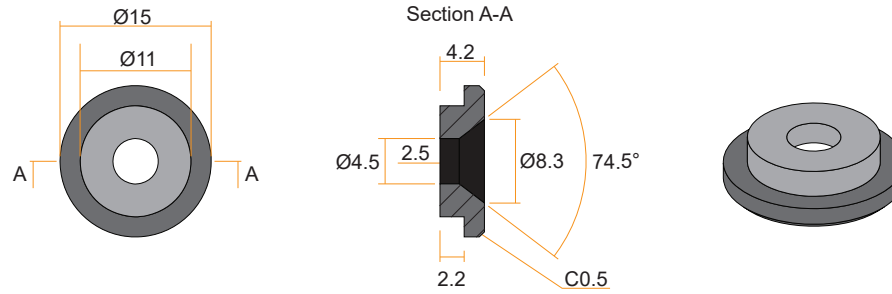
C19 - C20

- ✓ low cost
- ✓ easy to lock
- ✓ secure





VMS Mounting Button

 **x 3** +  **x 3**
M4 Screw
 - Flat head
 - M4x8mm
PEG



VMB Mounting Bracket

 **x 4** +  **x 2**
M3.2 Screw
 - Flat head
 - M3.2x6mm
Bracket

