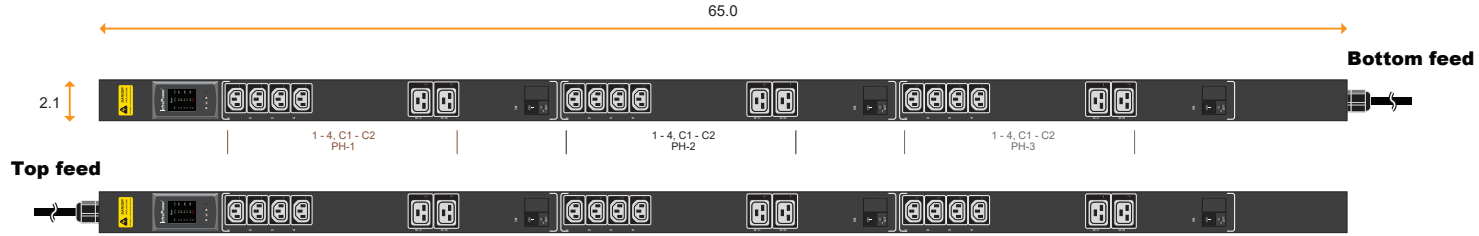


# 3-Phase metered PDU specification drawing

208V 20A/ 30A PDU : C13 x 12 + C19 x 6

unit : inch



PDU Feed	Code
Bottom	<b>B</b>
Top	<b>T</b>



NEMA L15-20P

20A model :	Circuit Protection
VP12C13/6C19-20A-MK/CR_L1520/2 <b>B-1</b>	2-pole MCB x 3

Input Rating : 20Amp (16A derated), 208V 3PH  
Power Capacity : 5.8 kVA  
Cordset : 4-wire 6.6ft UL SJT 12 AWG cordset  
Protection : 20A 2-pole hydraulic MCB x 3  
PH-1 : C13 #1-4 + C19 #C1-C2  
PH-2 : C13 #1-4 + C19 #C1-C2  
PH-3 : C13 #1-4 + C19 #C1-C2  
Weight : Net - lb / Gross - lb



NEMA L21-20P

20A model :	Circuit Protection
VP12C13/6C19-20A-MK/CR_L2120/2 <b>B-1</b>	2-pole MCB x 3

Input Rating : 20Amp (16A derated), 208V 3PH  
Power Capacity : 5.8 kVA  
Cordset : 5-wire 6.6ft UL SJT 12 AWG cordset  
Protection : 20A 2-pole hydraulic MCB x 3  
PH-1 : C13 #1-4 + C19 #C1-C2  
PH-2 : C13 #1-4 + C19 #C1-C2  
PH-3 : C13 #1-4 + C19 #C1-C2  
Weight : Net - lb / Gross - lb

Chassis Color	Code
Black	<b>1</b>
White	<b>2</b>
Red	<b>3</b>
Blue	<b>4</b>
Green	<b>5</b>
Orange	<b>6</b>
Yellow	<b>7</b>
Purple	<b>8</b>

Standard color : Black



NEMA L15-30P

30A model :	Circuit Protection
VP12C13/6C19-30A-MK/CR_L1530/2 <b>B-1</b>	2-pole MCB x 3

Input Rating : 30Amp (24A derated), 208V 3PH  
Power Capacity : 8.7 kVA  
Cordset : 4-wire 6.6ft UL SJT 10 AWG cordset  
Protection : 20A 2-pole hydraulic MCB x 3  
PH-1 : C13 #1-4 + C19 #C1-C2  
PH-2 : C13 #1-4 + C19 #C1-C2  
PH-3 : C13 #1-4 + C19 #C1-C2  
Weight : Net - lb / Gross - lb



NEMA L21-30P

30A model :	Circuit Protection
VP12C13/6C19-30A-MK/CR_L2130/2 <b>B-1</b>	2-pole MCB x 3

Input Rating : 30Amp (24A derated), 208V 3PH  
Power Capacity : 8.7 kVA  
Cordset : 5-wire 6.6ft UL SJT 10 AWG cordset  
Protection : 20A 2-pole hydraulic MCB x 3  
PH-1 : C13 #1-4 + C19 #C1-C2  
PH-2 : C13 #1-4 + C19 #C1-C2  
PH-3 : C13 #1-4 + C19 #C1-C2  
Weight : Net - lb / Gross - lb

Operating Temperature : -5 to 60 °C  
Storage Temperature : -25 to 65 °C  
Operating Altitude : 0 to 2,000 m  
Storage Altitude : 0 to 15,000 m  
Humidity : 8 to 95% RH, non-condensing

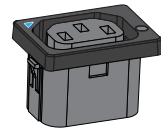
**Meter Features ( MK meter )**

Local Display : Hotswappable 1.8" Color LCD  
  
Phase level x 3 : Current ( A ), Phase Voltage ( V ), Energy ( kW ), Power Factor & Frequency ( Hz )  
  
Accuracy : Billing Grade +/-1%

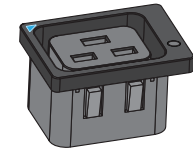
EMC Compliance : FCC Part 15 Subpart B (Class A)  
Safety Compliance : Tested to UL 60730-1:2016 and CAN / CSA-E60730-1:2015  
Tested to UL 62368-1:2014 and CAN / CSA-C22.2 No.62368-1:2014  
Environment Compliance : RoHS3 & REACH

## Lockable IEC Outlet

- Patented design for InfraPower PDU



C13 Outlet



C19 Outlet

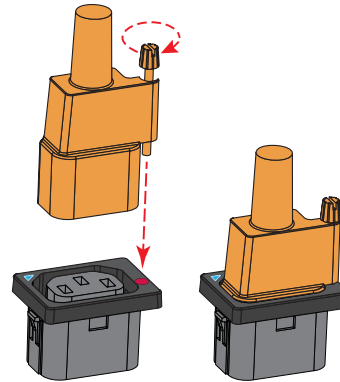
## Lockable IEC Cable

- Patented design of InfraPower PDU
- Low cost, easy to lock & secure
- Proprietary for lockable IEC outlet
- Applicable to standard IEC outlet
- 6 colors & 3 lengths available
- Custom color & length on request
- VDE & ENEC approval

### C13 - C14

H05VV-F 3G 0.75mm<sup>2</sup>

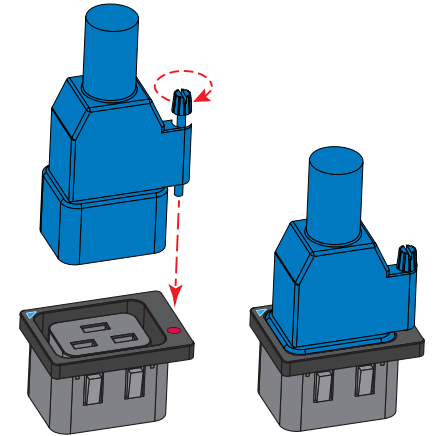
Cable Color	0.5M	1M	2M
Black	✓	✓	✓
Grey	✓	✓	✓
Red	✓	✓	✓
Blue	✓	✓	✓
Green	✓	✓	✓
Orange	✓	✓	✓



### C19 - C20

H05VV-F 3G 1.5mm<sup>2</sup>

Cable Color	1M	2M
Black	✓	✓
Grey	✓	✓
Red	✓	✓
Blue	✓	✓
Green	✓	✓
Orange	✓	✓

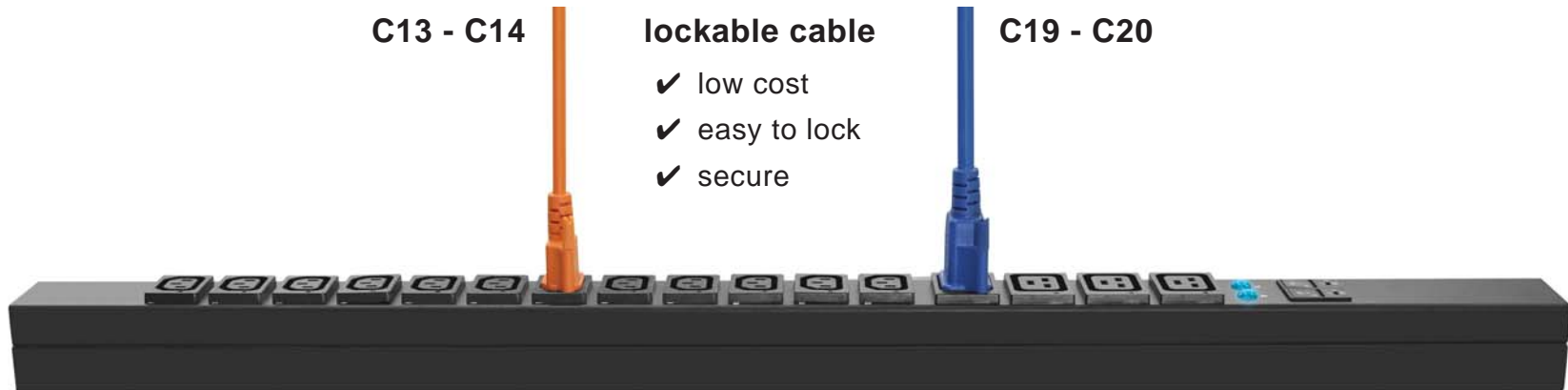


C13 - C14



lockable cable

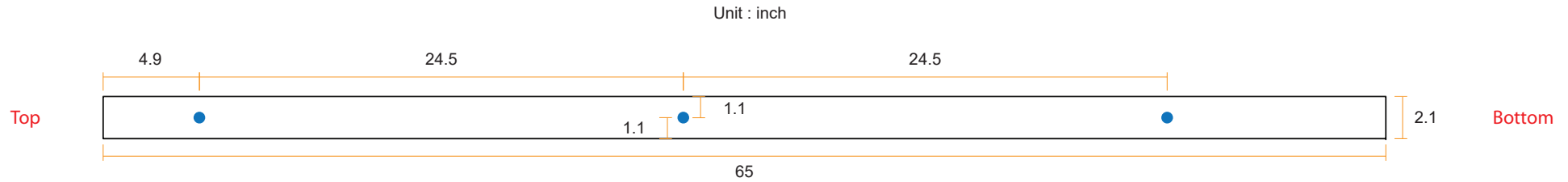
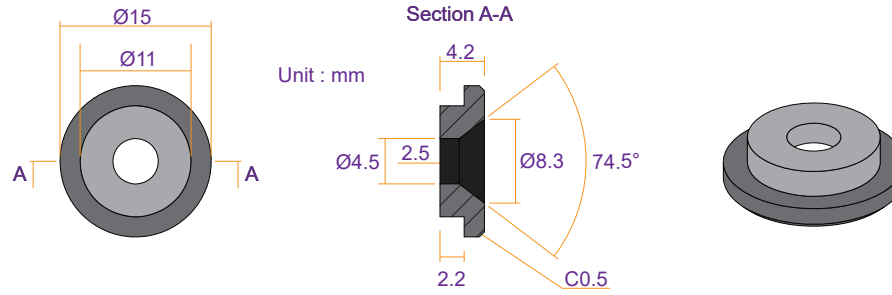
C19 - C20

- ✓ low cost
- ✓ easy to lock
- ✓ secure





### VMS Mounting Button

 **x 3** +  **x 3**  
**M4 Screw**  
 - Flat head  
 - M4x8mm  
**PEG**



### VMB Mounting Bracket

 **x 4** +  **x 2**  
**M3.2 Screw**  
 - Flat head  
 - M3.2x6mm  
**Bracket**

