

Circuit Protection	Code
Fuse	F
MCB	CR



32A model :	Circuit Protection
VP12C19-32A-MK/ F _EN/2 B -1	Resettable Fuse x 6
VP12C19-32A-MK/ CR _EN/2 T -1	1-pole MCB x 6

- Input Rating : 32Amp, 400V 3PH
- Cordset : 5-wire 2 meter 4mm sq. H05V V-F cordset
- Protection : 16A resettable fuse or 16A single pole hydraulic MCB x 6
- PH-1 - Bank 1 : Output 16A max., C19 #C1-C2
- Bank 2 : Output 16A max., C19 #C3-C4
- PH-2 - Bank 3 : Output 16A max., C19 #C1-C2
- Bank 4 : Output 16A max., C19 #C3-C4
- PH-3 - Bank 5 : Output 16A max., C19 #C1-C2
- Bank 6 : Output 16A max., C19 #C3-C4
- Weight : Net 7.3 Kg / Gross 8.3 Kg

PDU Feed	Code
Bottom	B
Top	T

Chassis Color	Code
Black	1
White	2
Red	3
Blue	4
Green	5
Orange	6
Yellow	7
Purple	8



16A model :	Circuit Protection
VP12C19-16A-MK/ F _EN/2 B -1	Resettable Fuse x 3
VP12C19-16A-MK/ CR _EN/2 T -1	1-pole MCB x 3

- Input Rating : 16Amp, 400V 3PH
- Cordset : 5-wire 2 meter 1.5mm sq. H05V V-F cordset
- Protection : 16A resettable fuse or 16A single pole hydraulic MCB x 3
- PH-1 : Output 16A max., C19 #C1-C4
- PH-2 : Output 16A max., C19 #C1-C4
- PH-3 : Output 16A max., C19 #C1-C4
- Weight : Net 7.3 Kg / Gross 8.3 Kg

Standard color: Black

Operating Temperature : -5 to 60 °C
Storage Temperature : -25 to 65 °C
Operating Altitude : 0 to 2,000 m
Storage Altitude : 0 to 15,000 m
Humidity : 8 to 95% RH, non-condensing

Meter Features (MK meter)

Local Display : Hotswappable 1.8" Color LCD

Phase level x 3 : Current (A), Phase Voltage (V), Energy (kW), Power Factor & Frequency (Hz)

Accuracy : Billing Grade +/-1%

EMC Compliance : CE / EMC
Safety Compliance : CE / LVD & UKCA
Tested to EN 62368-1:2014 / A11:2017 standard
Tested to EN 60730-1:2016 / A1:2019 standard
Environment Compliance : RoHS3 & REACH

AUSTIN HUGHES
Design. Manufacturing. Global Services.

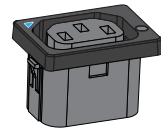
The company reserves the right to modify product specifications without prior notice and assumes no responsibility for any error which may appear in this publication.

Copyright 2023 Austin Hughes Electronics Ltd. All rights reserved.

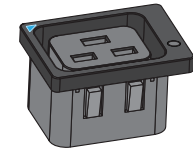
Product Dimension : 54 (W) x 70 (D) x 1650 (H) mm
Packing dimension (for 2 PDUs) : 110 (W) x 268 (D) x 2043 (H) mm

Lockable IEC Outlet

- Patented design for InfraPower PDU



C13 Outlet



C19 Outlet

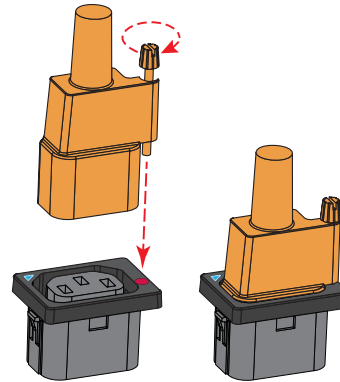
Lockable IEC Cable

- Patented design of InfraPower PDU
- Low cost, easy to lock & secure
- Proprietary for lockable IEC outlet
- Applicable to standard IEC outlet
- 6 colors & 3 lengths available
- Custom color & length on request
- VDE & ENEC approval

C13 - C14

H05VV-F 3G 0.75mm²

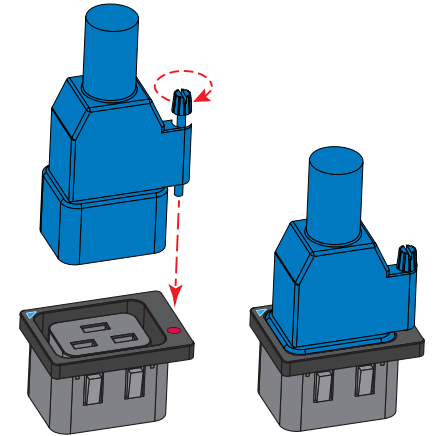
Cable Color	0.5M	1M	2M
Black	✓	✓	✓
Grey	✓	✓	✓
Red	✓	✓	✓
Blue	✓	✓	✓
Green	✓	✓	✓
Orange	✓	✓	✓



C19 - C20

H05VV-F 3G 1.5mm²

Cable Color	1M	2M
Black	✓	✓
Grey	✓	✓
Red	✓	✓
Blue	✓	✓
Green	✓	✓
Orange	✓	✓

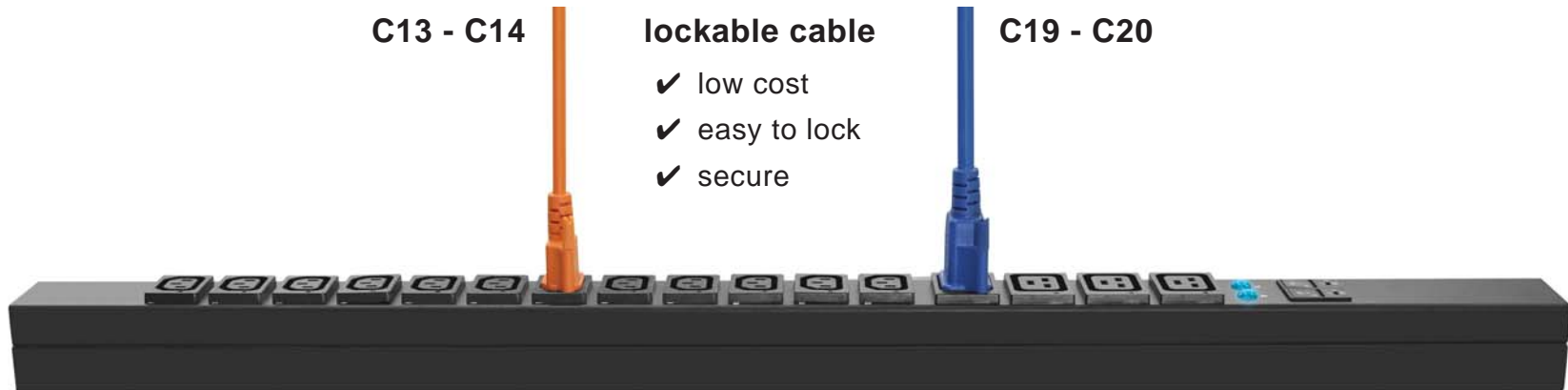


C13 - C14



lockable cable

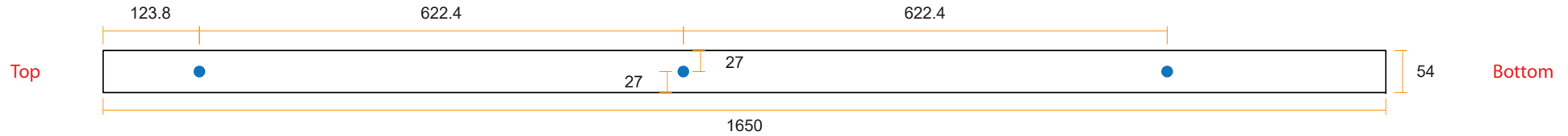
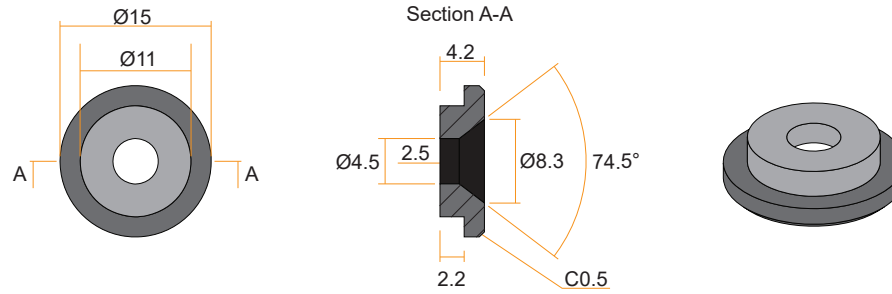
C19 - C20

- ✓ low cost
- ✓ easy to lock
- ✓ secure





VMS Mounting Button

 **x 3** +  **x 3**
M4 Screw
 - Flat head
 - M4x8mm
PEG



VMB Mounting Bracket

 **x 4** +  **x 2**
M3.2 Screw
 - Flat head
 - M3.2x6mm
Bracket

