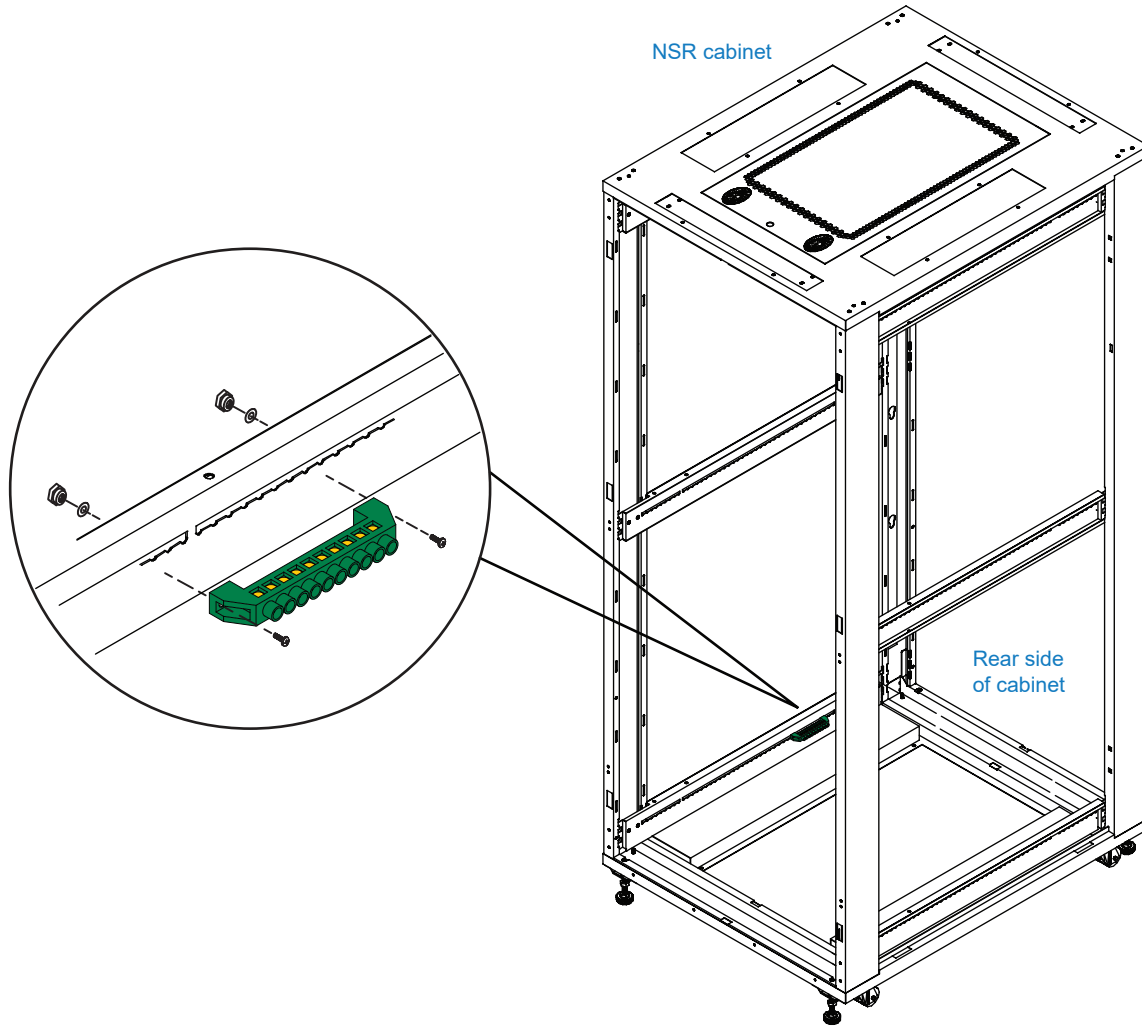
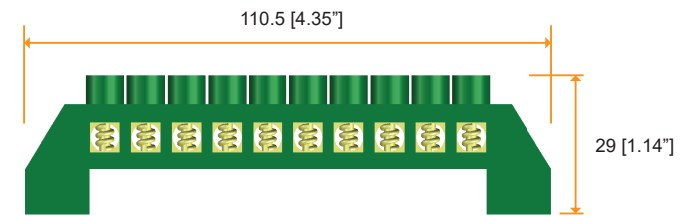


NSR cabinet



Rear side
of cabinet



unit : mm / in.

The company reserves the right to modify product specifications without prior notice and assumes no responsibility for any error which may appear in this publication.

Copyright 2022 Austin Hughes Electronics Ltd. All rights reserved.

Description	: Insulated Earth Terminal with 10 termination block (7mm diameter)
Material	: Plastic & copper
Hardware set	: M4 x 12mm screw x 2, M4 nuts x 2 & M4 washer x 2
Dimension	: 110.5 x 10.5 x 29 mm / 4.35 x 0.41 x 1.14 in.
Color	: Green
Gross weight	: - kg / - lb
Environmental	: RoHS3 & REACH compliant by SGS



REACH