

17" professional display chassis drawing

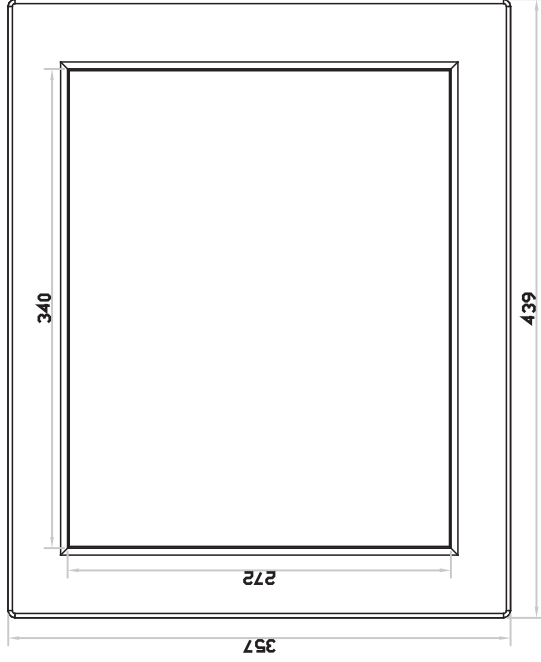
6mm aluminum front bezel

Model : AP-17 / HAP-17

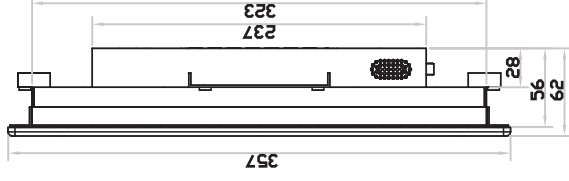
UltraView

unit : mm

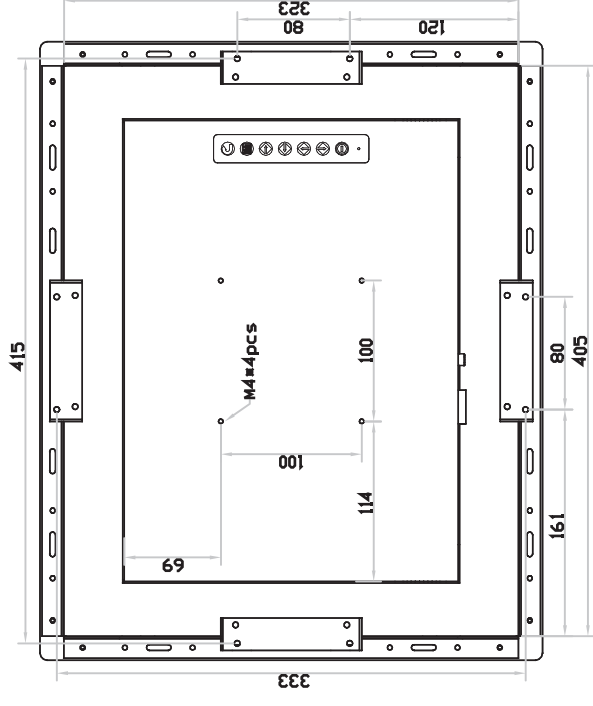
Front View



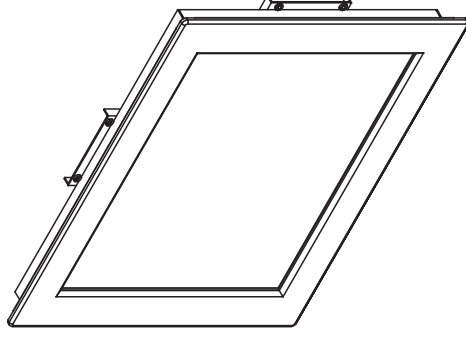
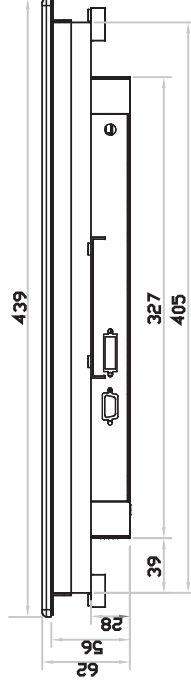
Left-side View



Rear View



Bottom View



17" professional display chassis drawing

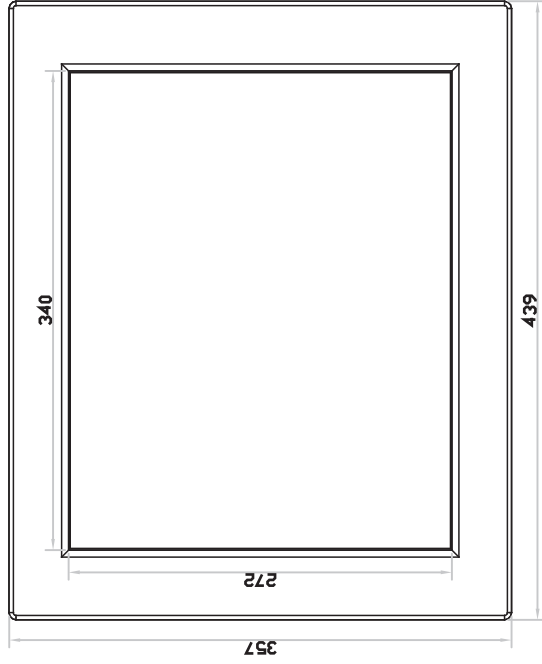
6mm aluminum front bezel with NEMA 4 / IP65 front protection

Model : NAP-17 / NHAP-17

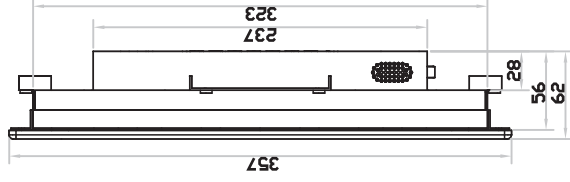
UltraView

unit : mm

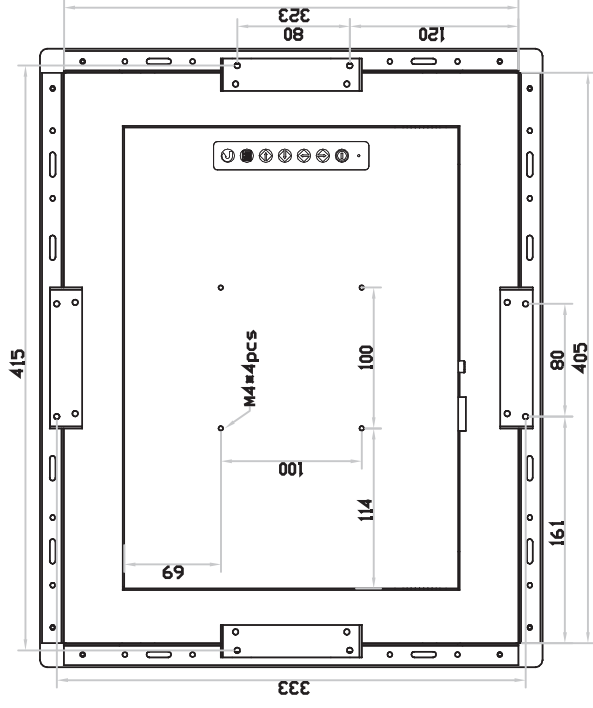
Front View



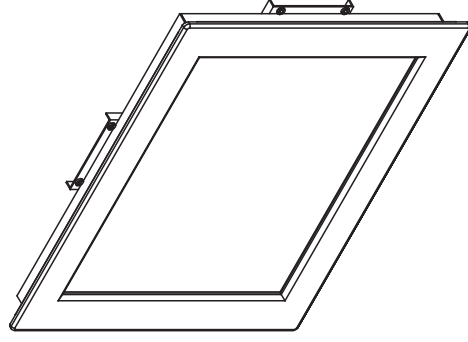
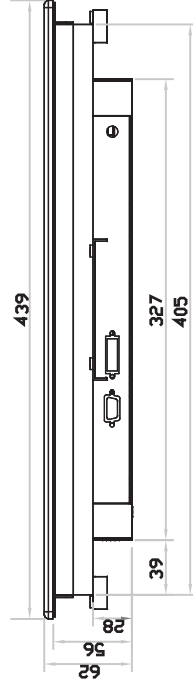
Left-side View



Rear View



Bottom View



The company reserves the right to modify product specifications without prior notice and assumes no responsibility for any error which may appear in this publication.
Copyright 2023 Austin Hughes Electronics Ltd. All rights reserved.

AUSTIN HUGHES
Design. Manufacturing. Global Services.

Product Dimension (W x D x H) : 439 x 62 x 357 mm / 17.3 x 2.4 x 14.1 inch

Environment Compliance

: RoHS3 & REACH



REACH

17" professional display chassis drawing

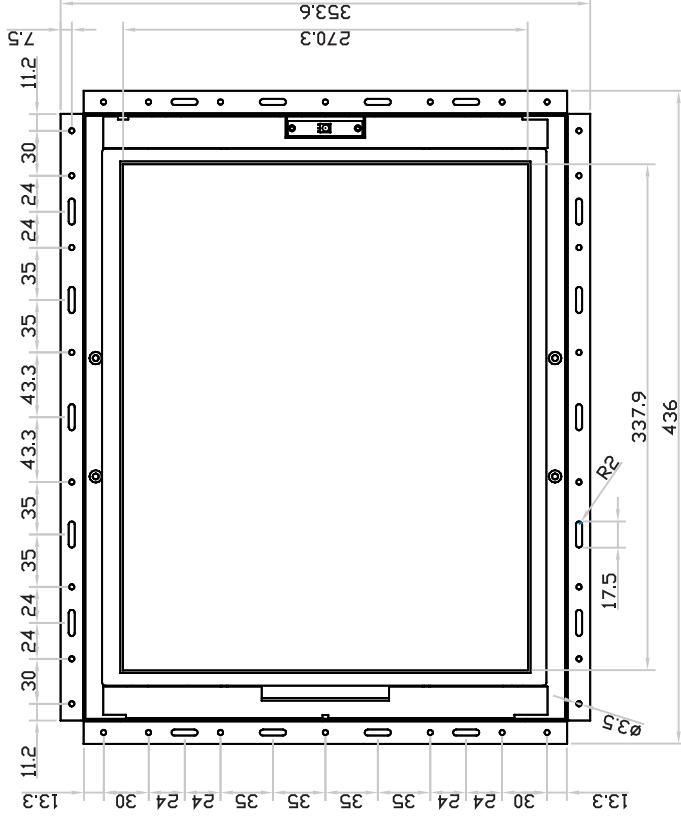
Universal open frame

Model : OP-17 / HOP-17

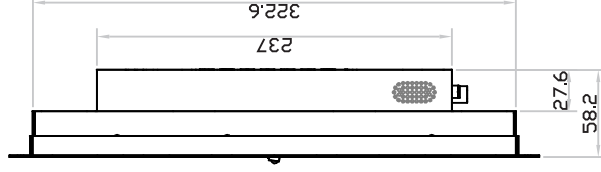


unit : mm

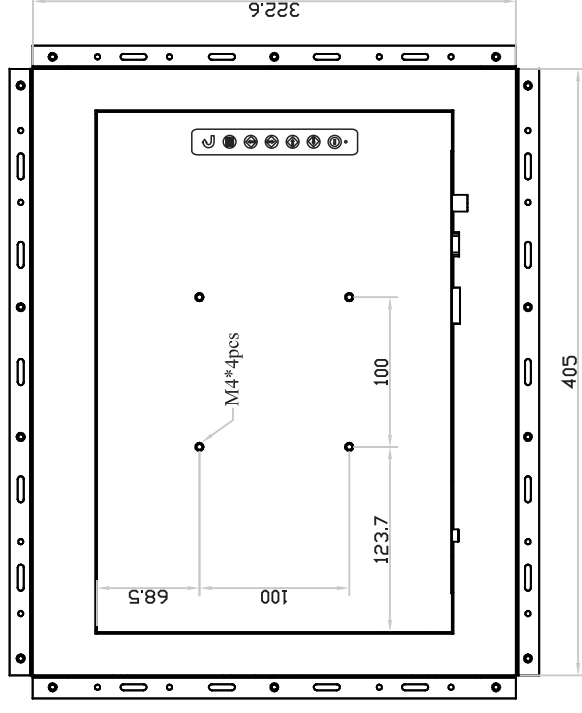
Front View



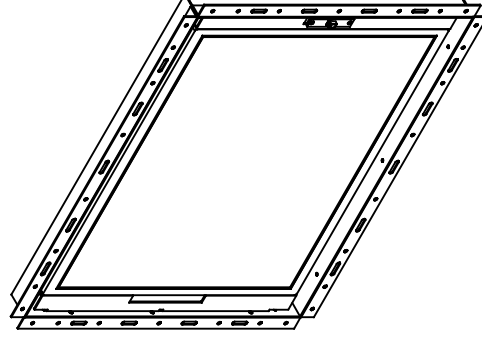
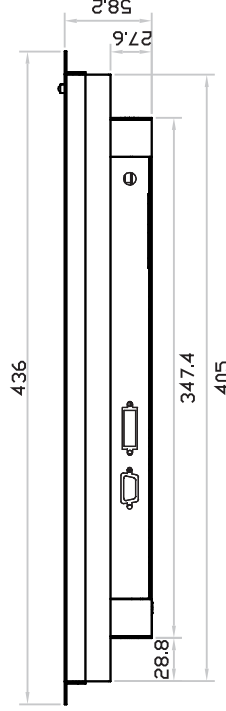
Left-side View



Rear View



Bottom View



The company reserves the right to modify product specifications without prior notice and assumes no responsibility for any error which may appear in this publication.
 Copyright 2023 Austin Hughes Electronics Ltd. All rights reserved.

AUSTIN HUGHES
 Design. Manufacturing. Global Services.

Product Dimension (W x D x H) : 436 x 58.2 x 353.6 mm / 17.2 x 2.3 x 13.9 inch
 Environment Compliance : RoHS3 & REACH



Date : 28 Feb 23

Version : V1

Page : 4 of 4

17" professional display chassis drawing

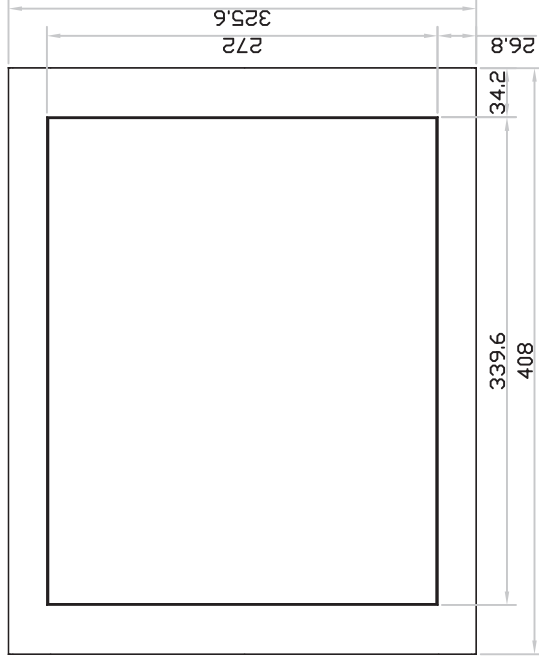
Aluminum front cover

Model : DP-17 / HDP-17

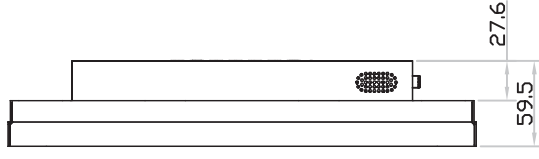
UltraView

unit : mm

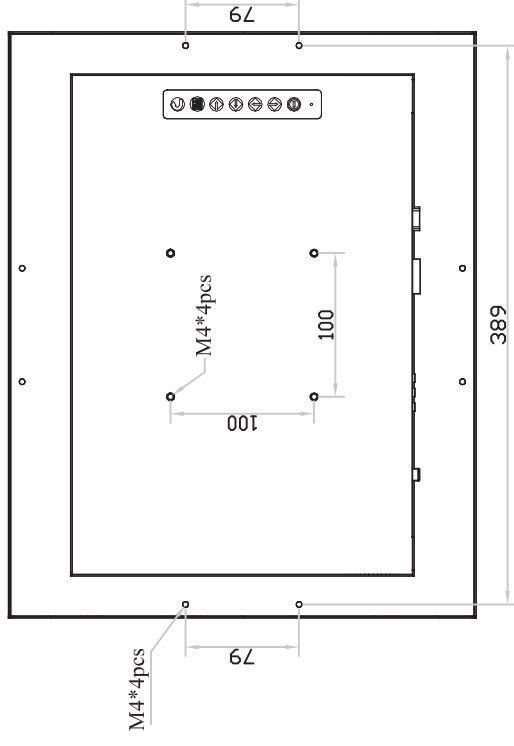
Front View



Left-side View



Rear View



Bottom View

