

FHD 17" professional display chassis drawing

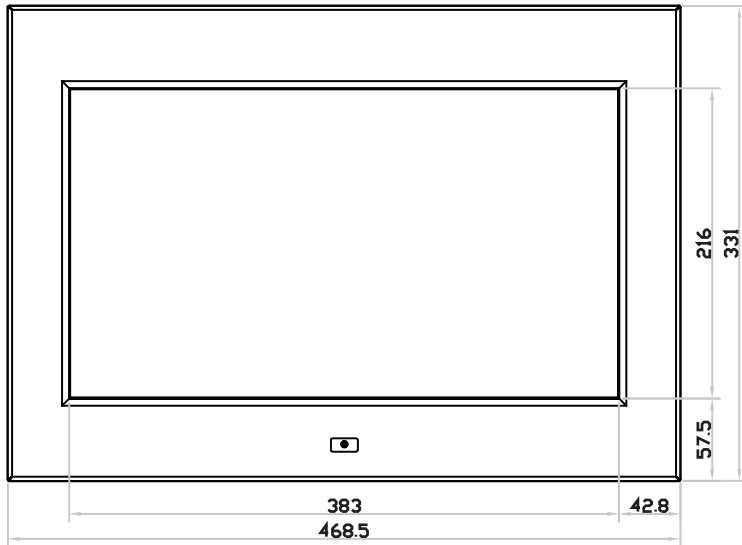
6mm aluminum front bezel

Model : AP-F17 / HAP-F17

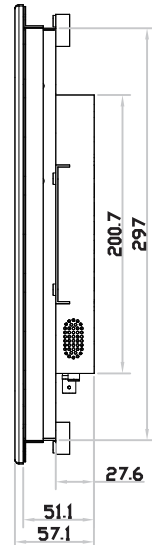


unit : mm

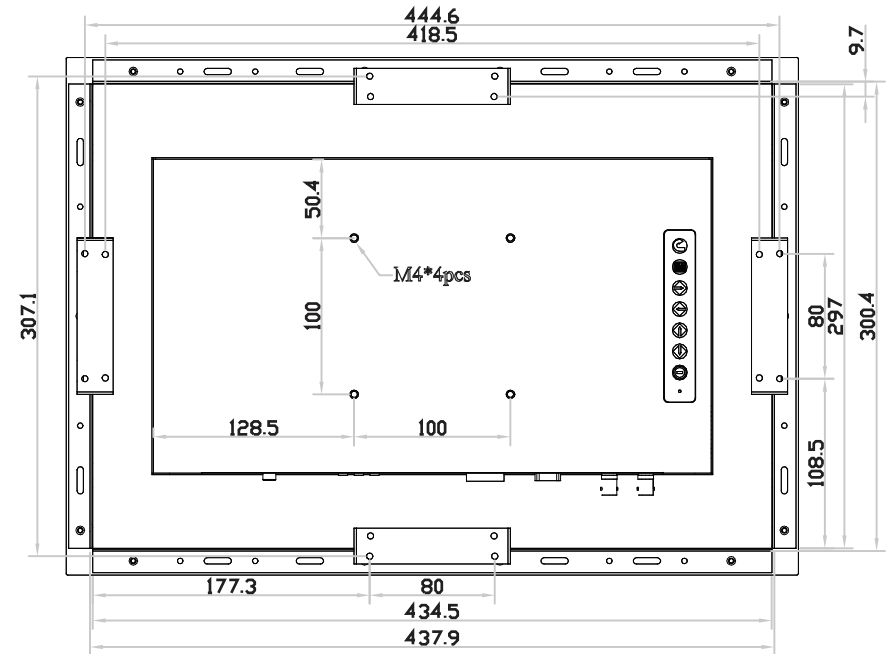
Front View



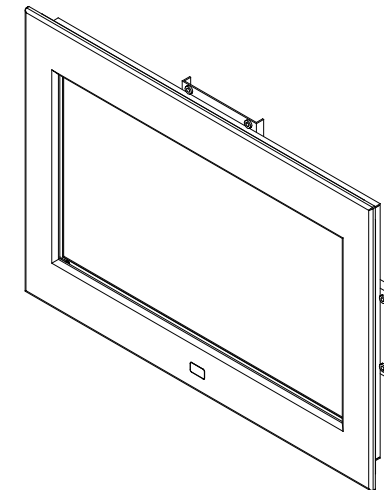
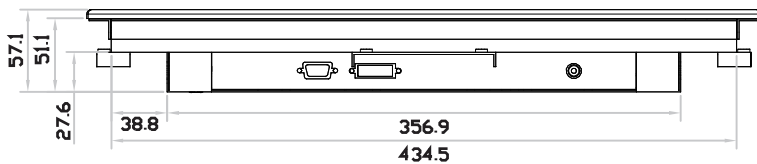
Left-side View



Rear View



Bottom View



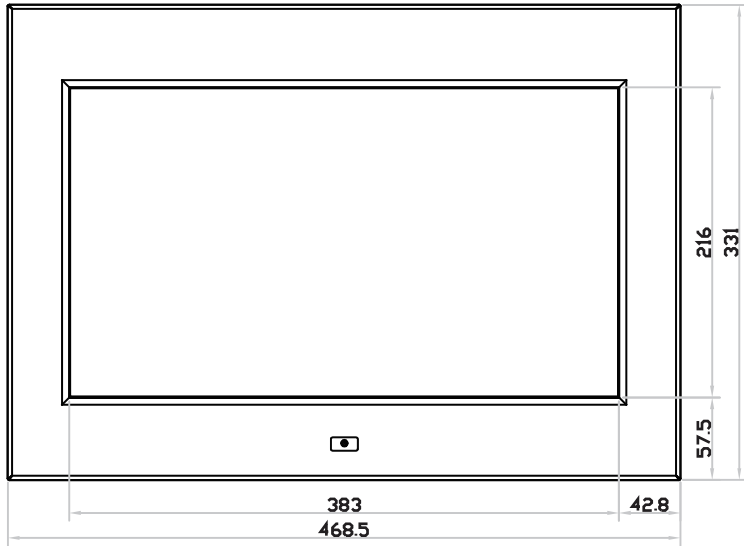
FHD 17" professional display chassis drawing

6mm aluminum front bezel with NEMA 4 / IP65 front protection

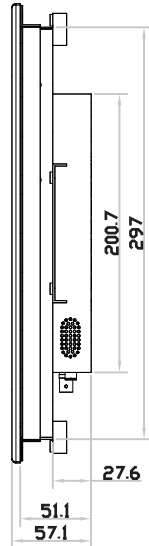
Model : NAP-F17 / HNAP-F17

unit : mm

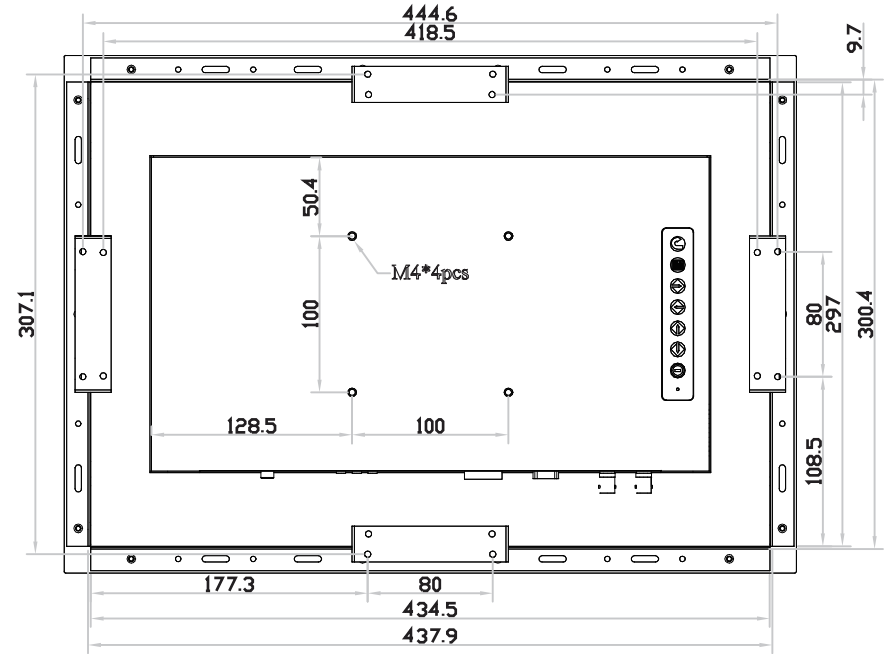
Front View



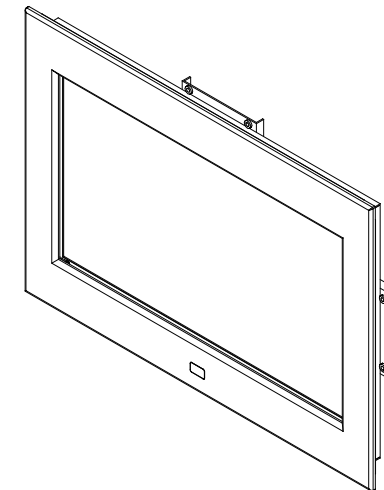
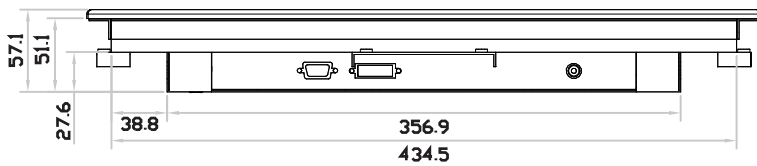
Left-side View



Rear View



Bottom View



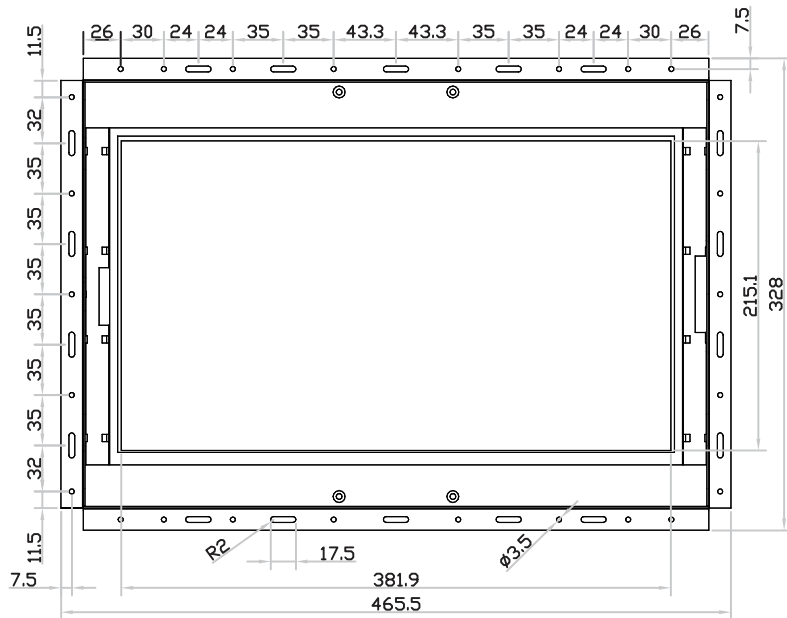
FHD 17" professional display chassis drawing

Universal open frame
Model : OP-F17 / HOP-F17

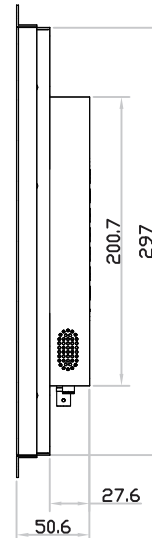


unit : mm

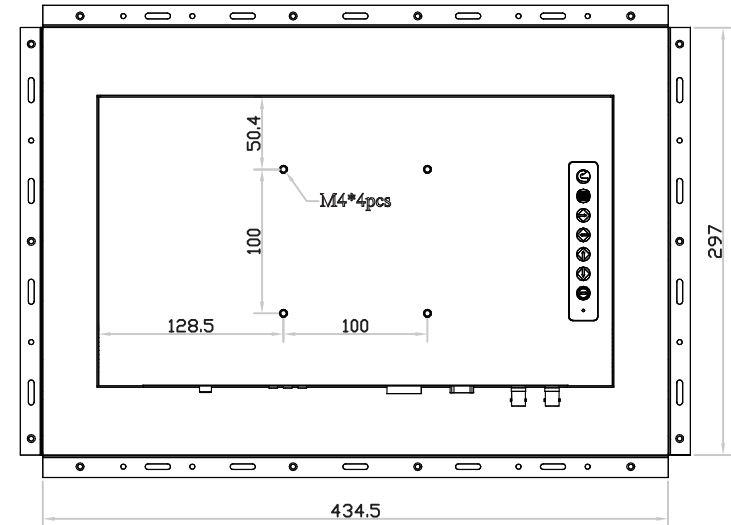
Front View



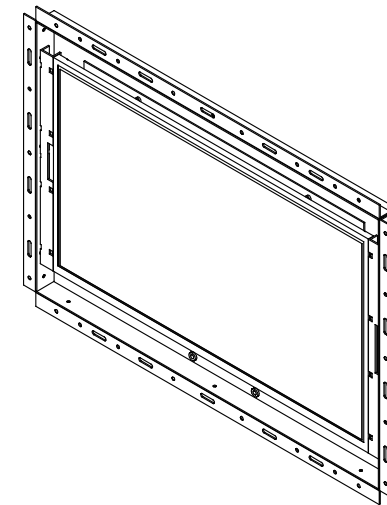
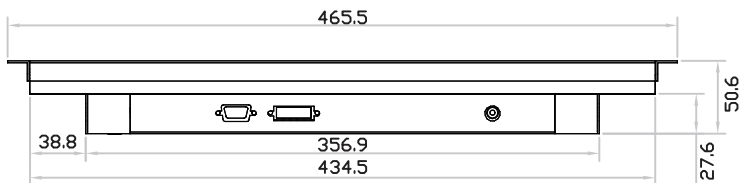
Left-side View



Rear View



Bottom View



FHD 17" professional display chassis drawing

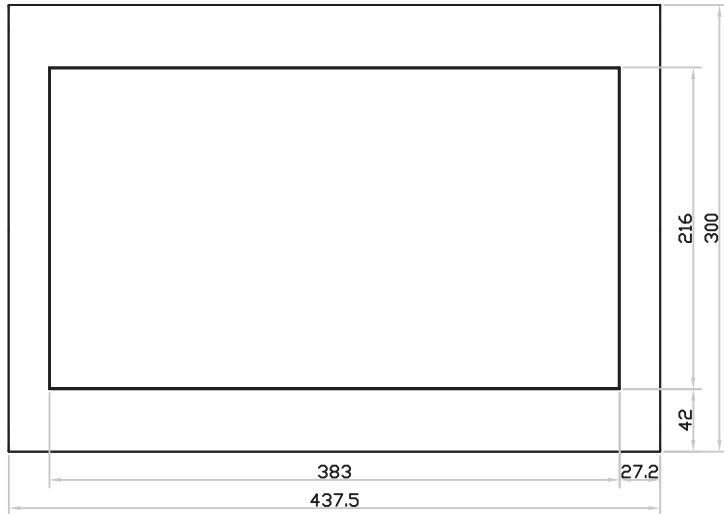
Aluminum front cover

Model : DP-F17 / HDP-F17

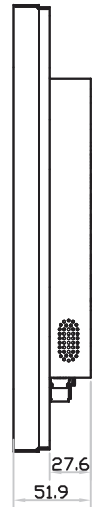
UltraView

unit : mm

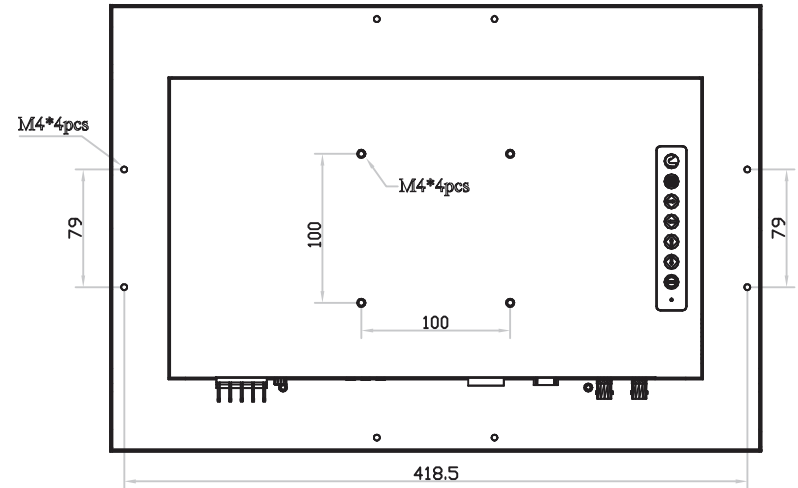
Front View



Left-side View



Rear View



Bottom View

