

# FHD 21" professional display chassis drawing

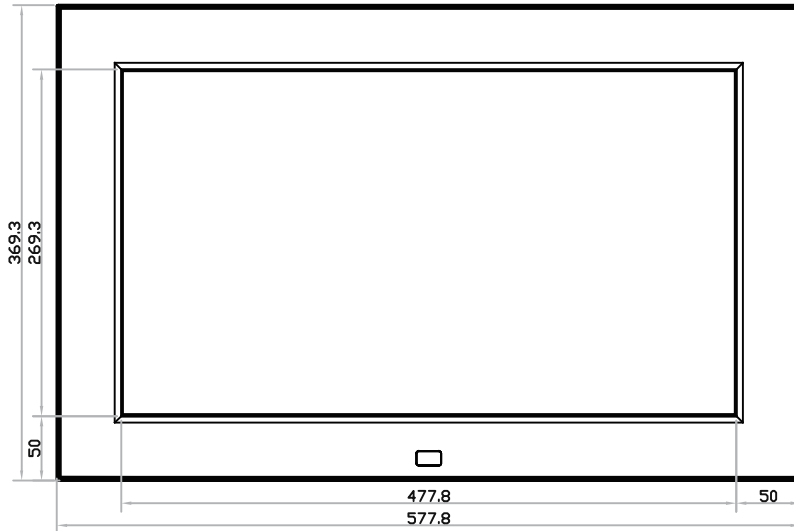
## 8mm aluminum front bezel

### Model : AP-F21 / HAP-F21

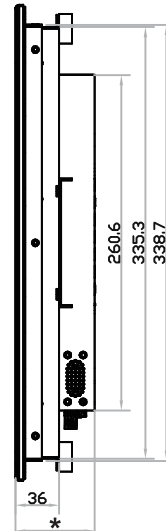


unit : mm

### Front View

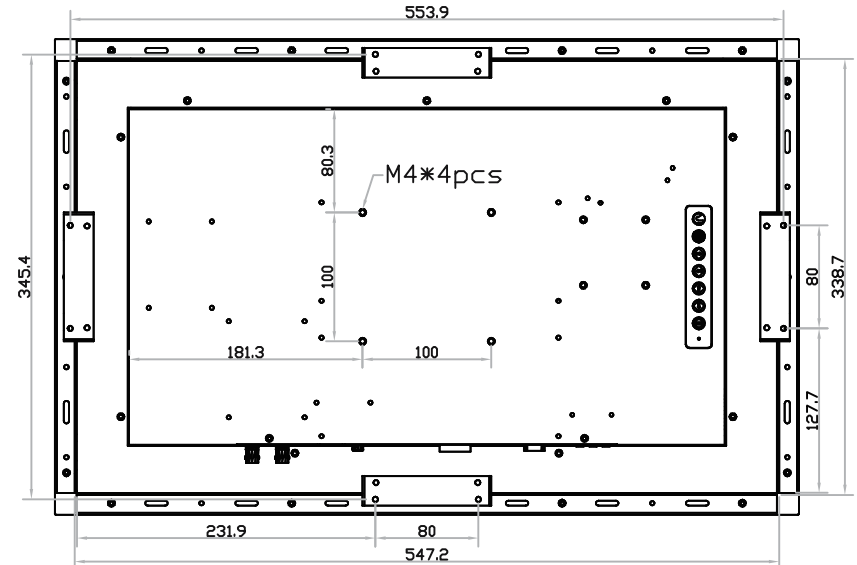


### Left-side View

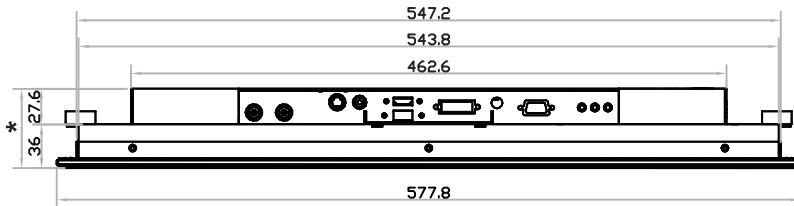


\* 63.6mm for AP-F21  
66.1mm for HAP-F21

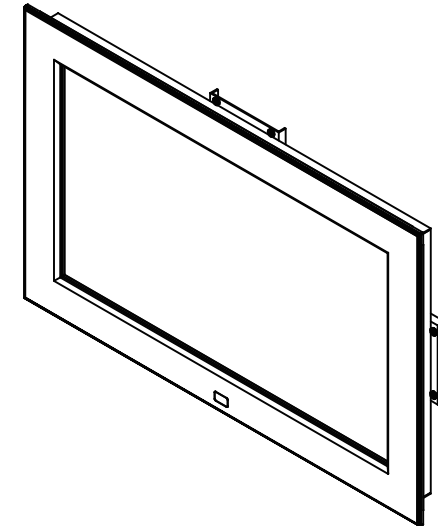
### Rear View



### Bottom View



\* 63.6mm for AP-F21  
66.1mm for HAP-F21



# FHD 21" professional display chassis drawing

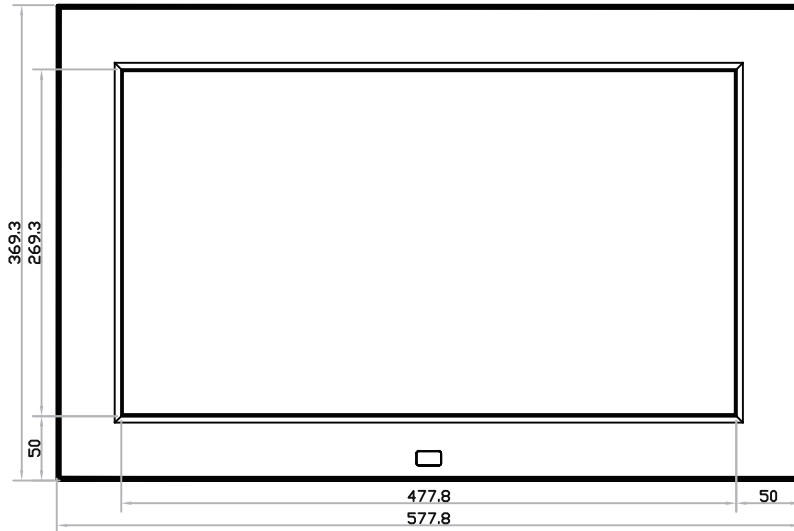
## 8mm aluminum front bezel with NEMA 4 / IP65 front protection

### Model : NAP-F21 / HNAP-F21

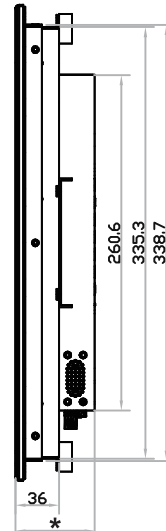


unit : mm

### Front View

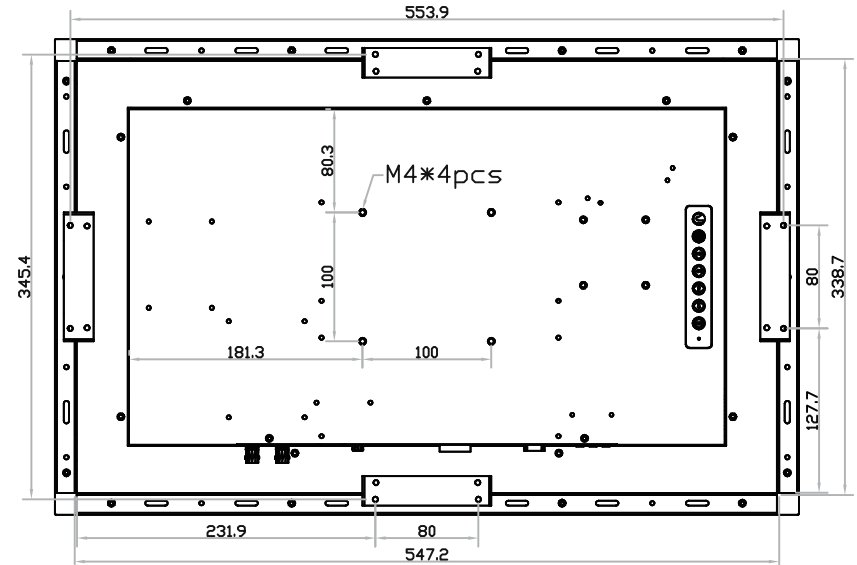


### Left-side View

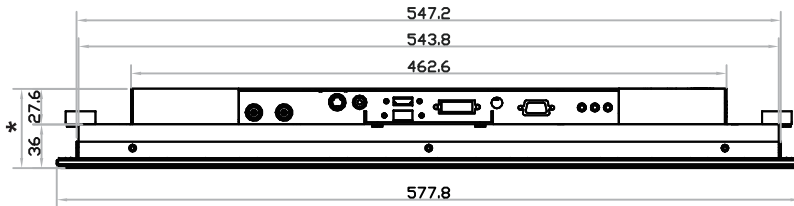


\* 63.6mm for NAP-F21  
66.1mm for HNAP-F21

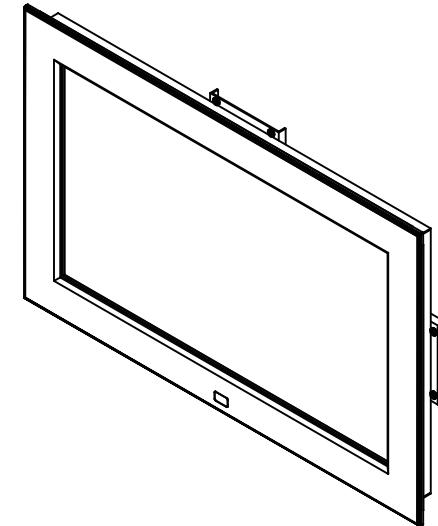
### Rear View



### Bottom View



\* 63.6mm for NAP-F21  
66.1mm for HNAP-F21



# FHD 21" professional display chassis drawing

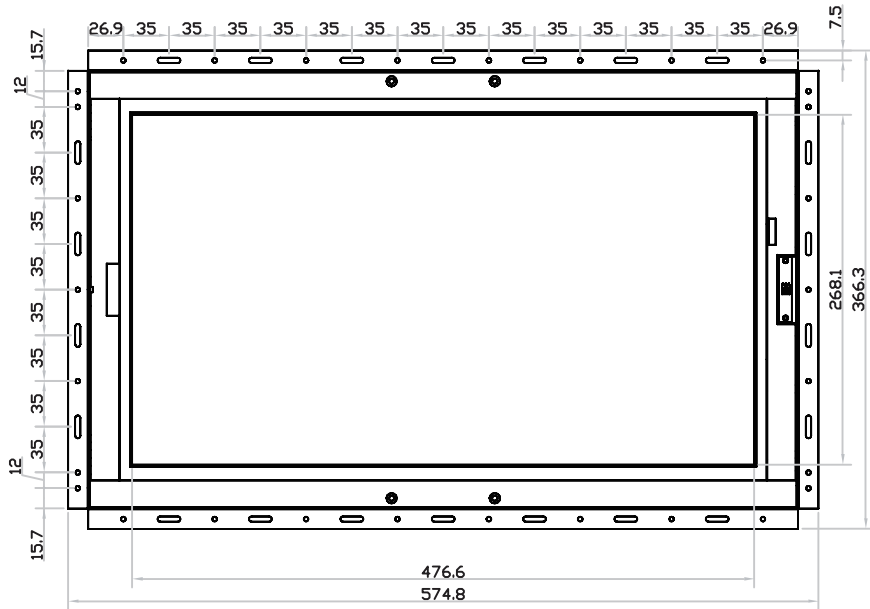
Universal open frame

Model : OP-F21 / HOP-F21

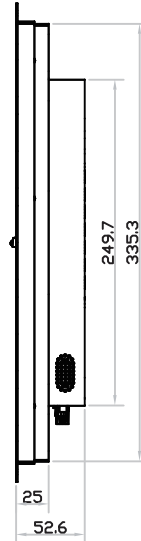
UltraView

unit : mm

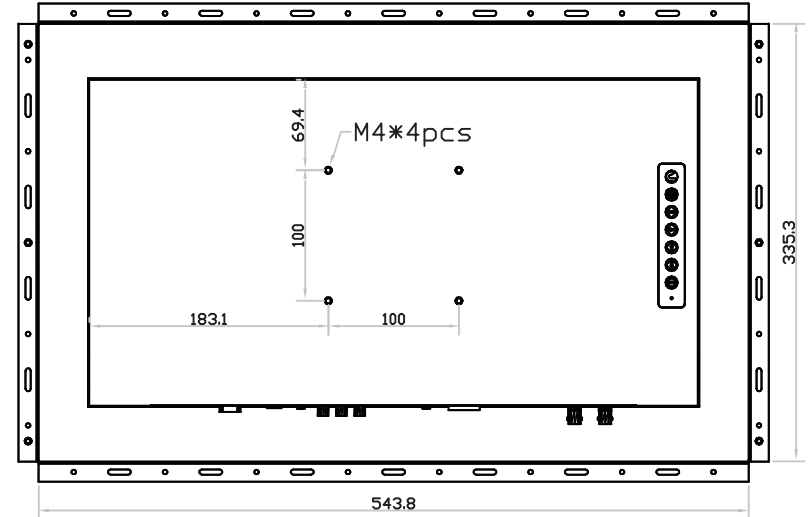
Front View



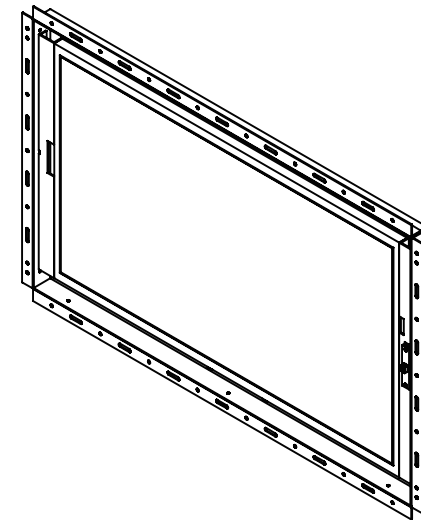
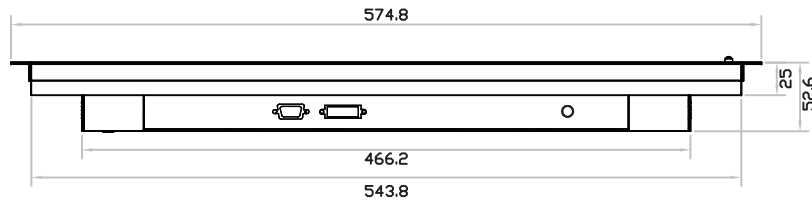
Left-side View



Rear View



Bottom View



# FHD 21" professional display chassis drawing

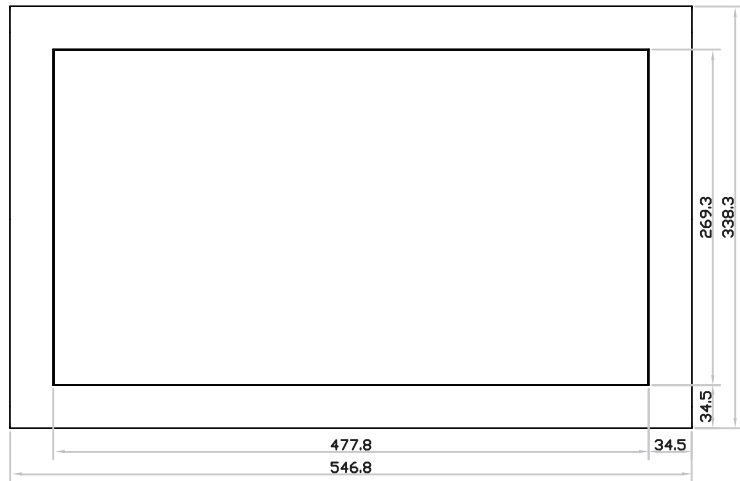
## Aluminum front cover

### Model : DP-F21 / HDP-F21

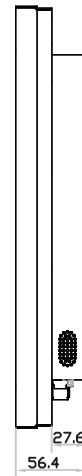


unit : mm

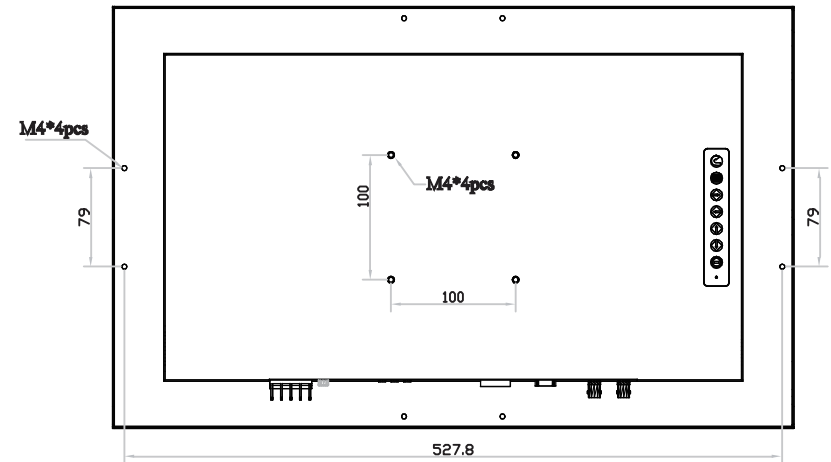
### Front View



### Left-side View



### Rear View



### Bottom View

