

# 4K 32" professional display chassis drawing

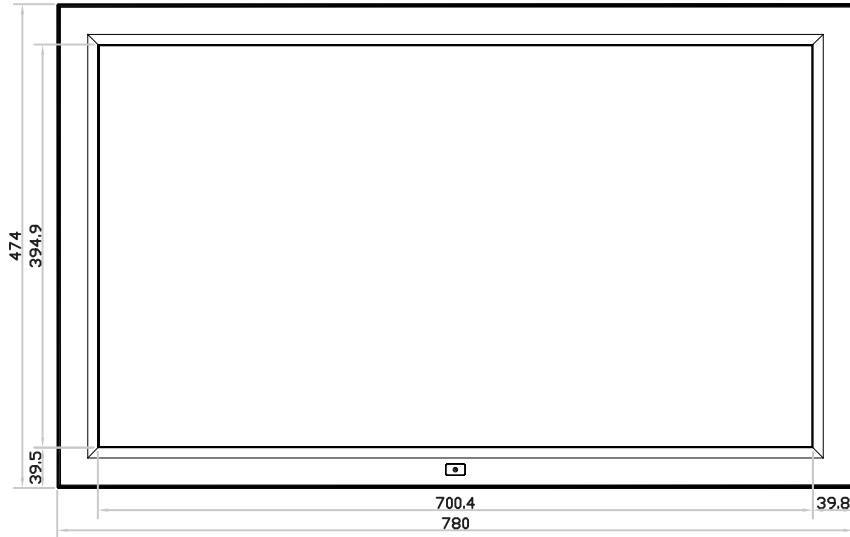
8mm aluminum front bezel

Model : AP-K32 / HAP-K32

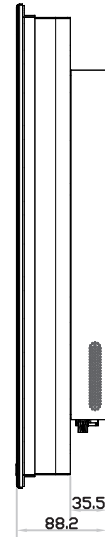


unit : mm

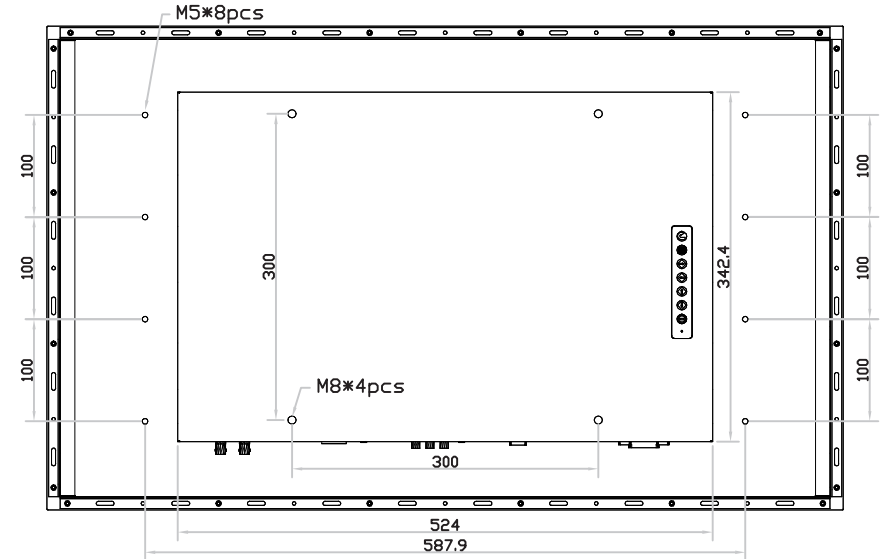
### Front View



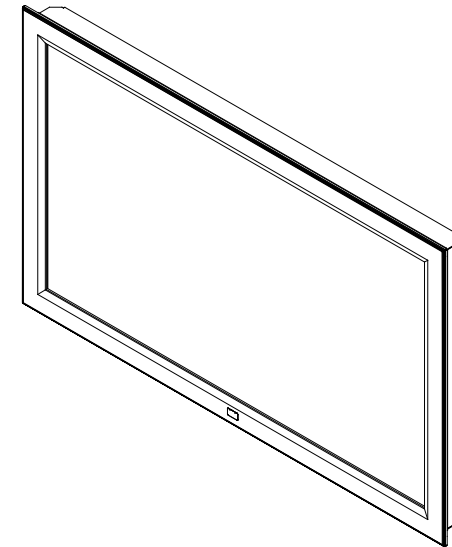
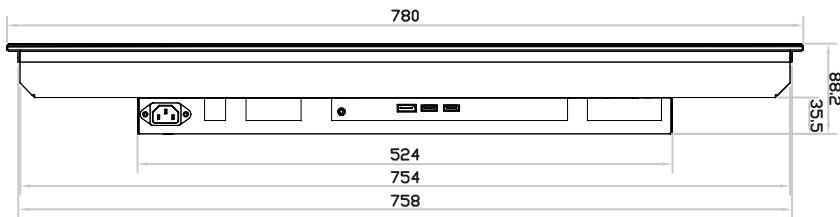
### Left-side View



### Rear View



### Bottom View



# 4K 32" professional display chassis drawing

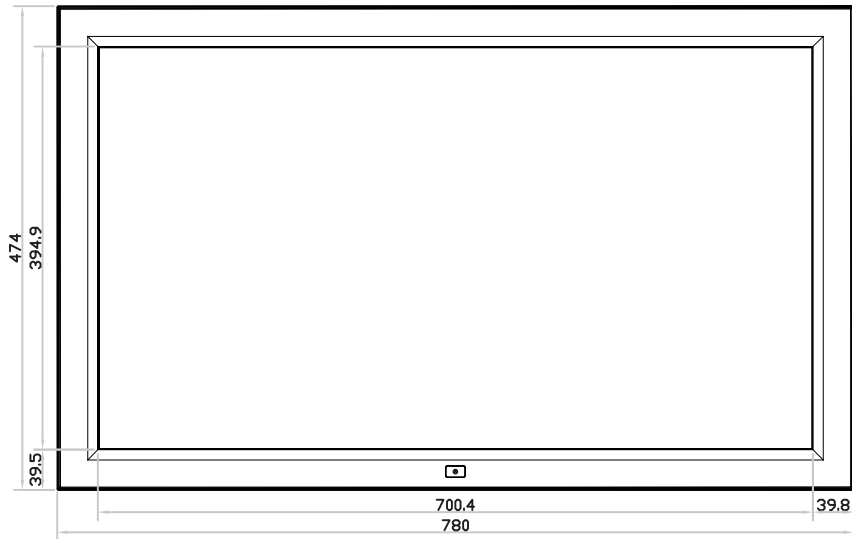
## 8mm aluminum front bezel with NEMA 4 / IP65 front protection

### Model : NAP-K32 / NHAP-K32

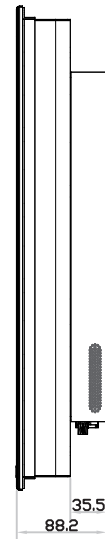


unit : mm

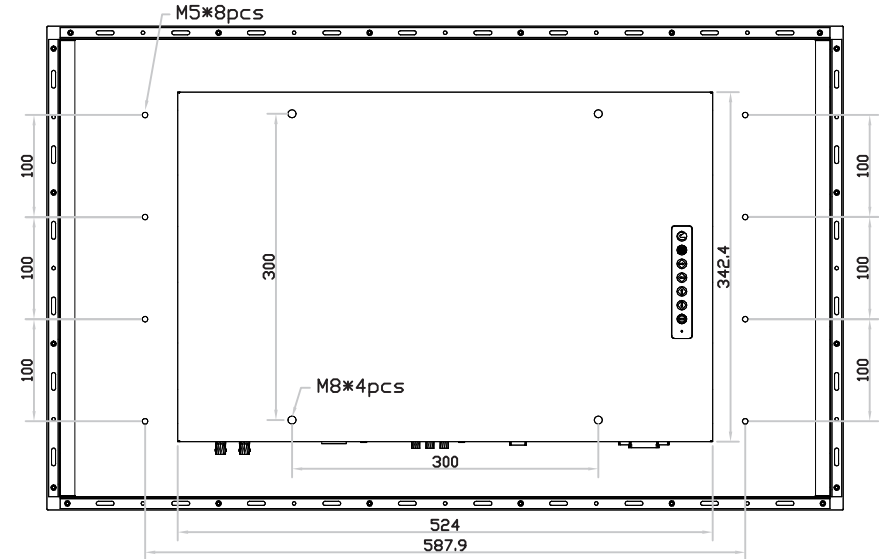
### Front View



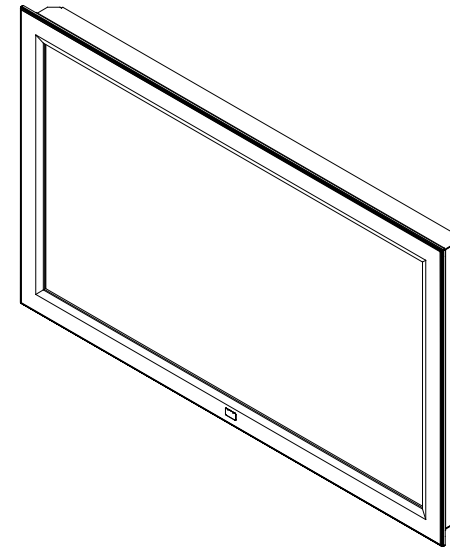
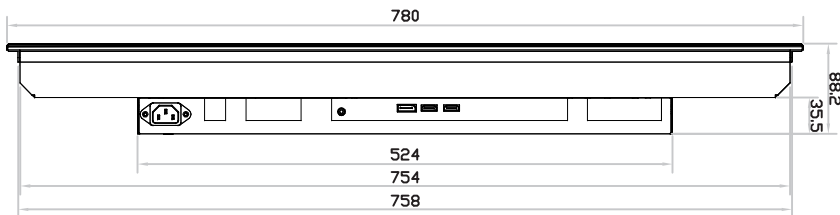
### Left-side View



### Rear View



### Bottom View



# 4K 32" professional display chassis drawing

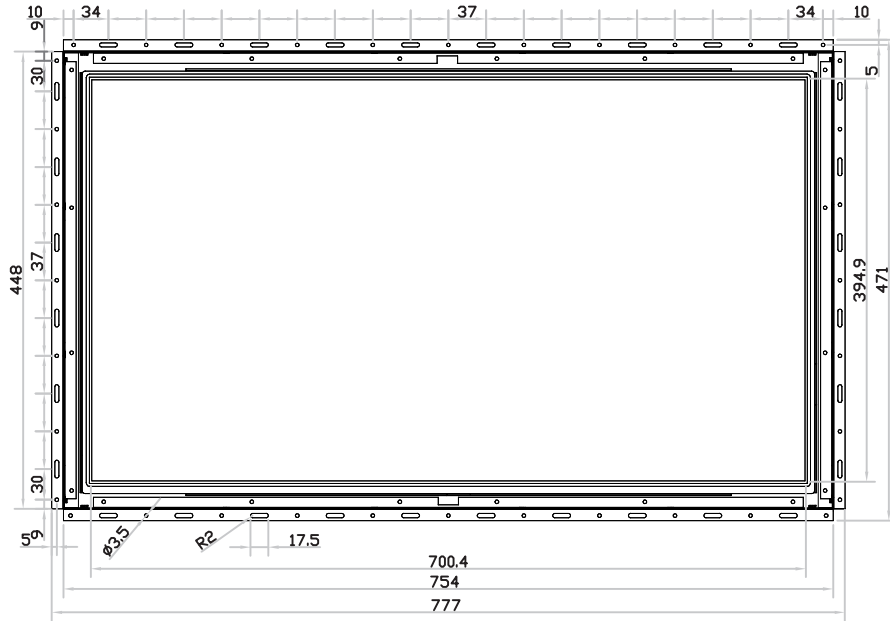
Universal open frame

Model : OP-K32 / HOP-K32

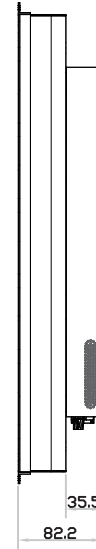


unit : mm

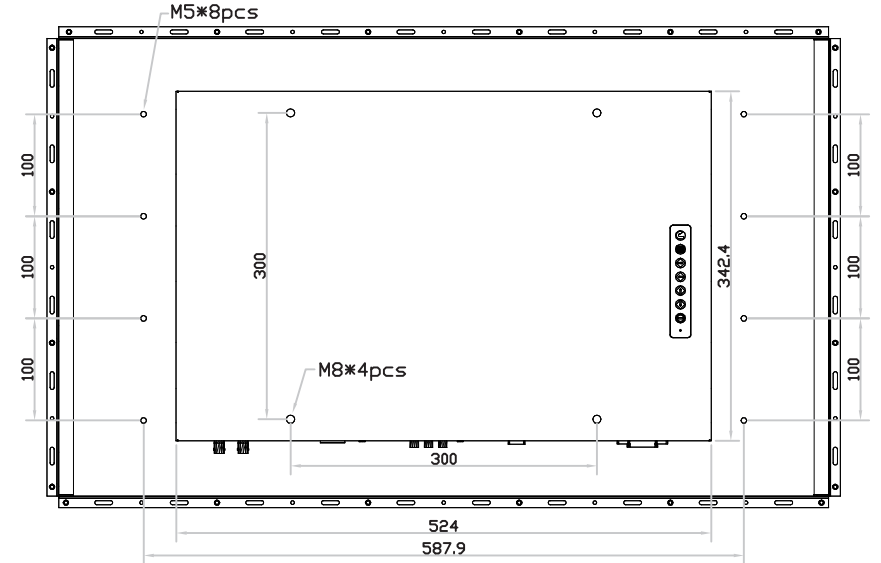
### Front View



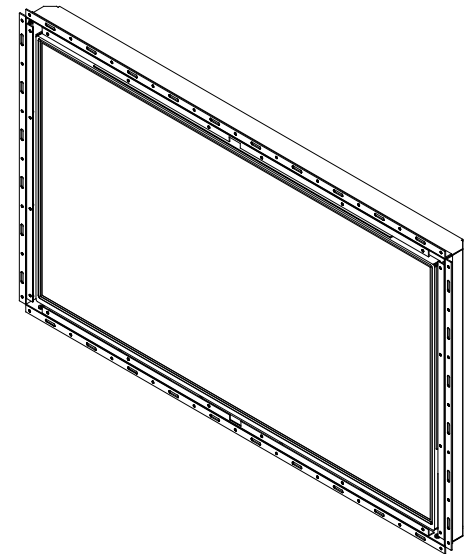
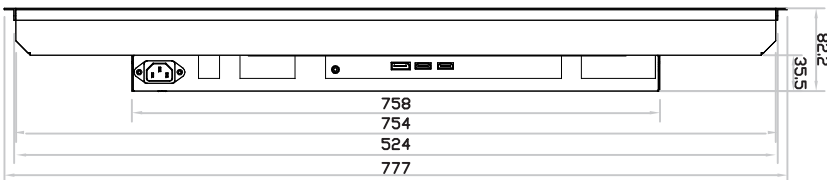
### Left-side View



### Rear View



### Bottom View



# 4K 32" professional display chassis drawing

Aluminum front cover

Model : DP-K32 / HDP-K32

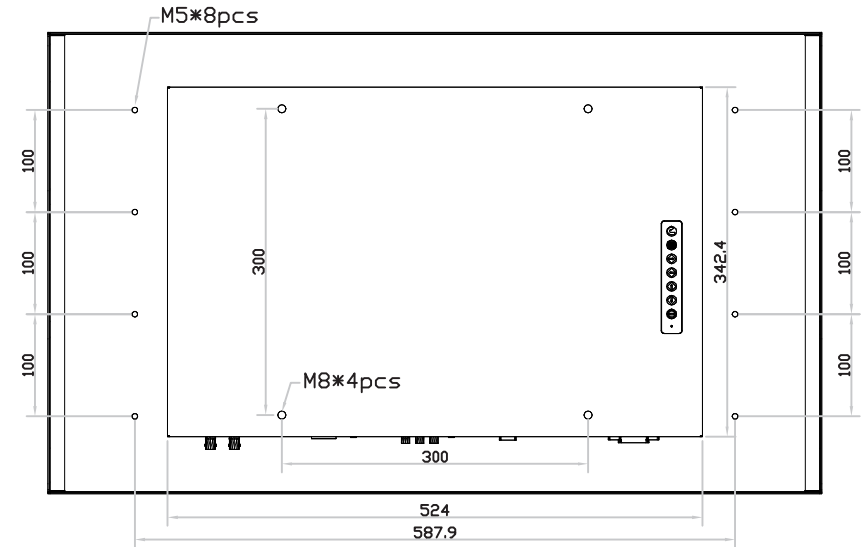
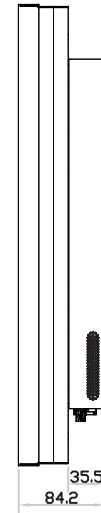
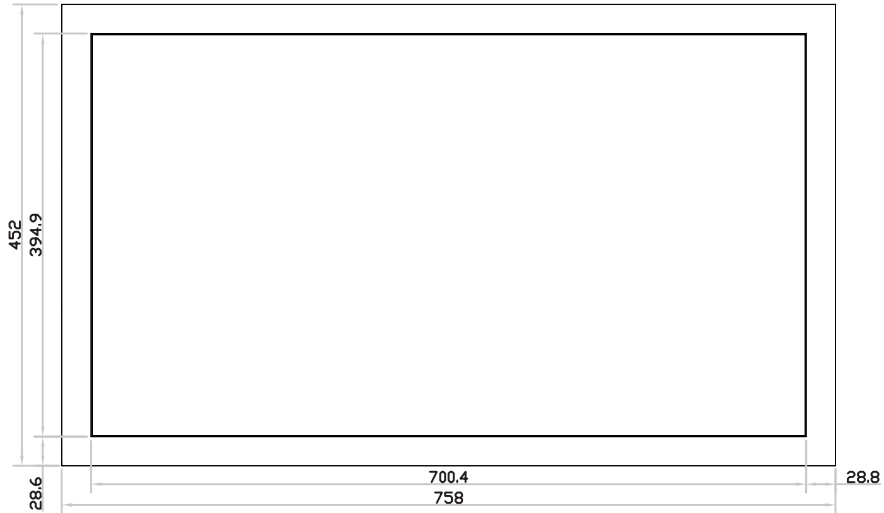


unit : mm

### Front View

### Left-side View

### Rear View



### Bottom View

