

WUXGA 16.2" professional display chassis drawing

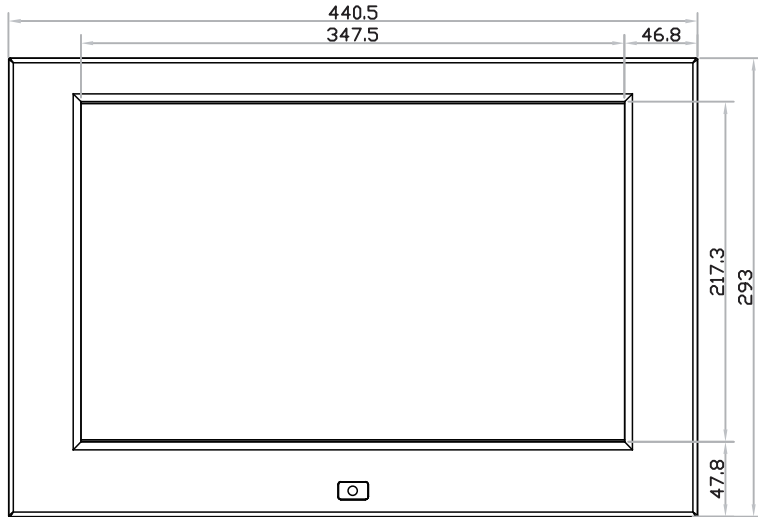
6mm aluminum front bezel

Model : AP-X17

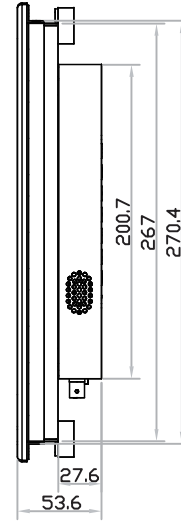


unit : mm

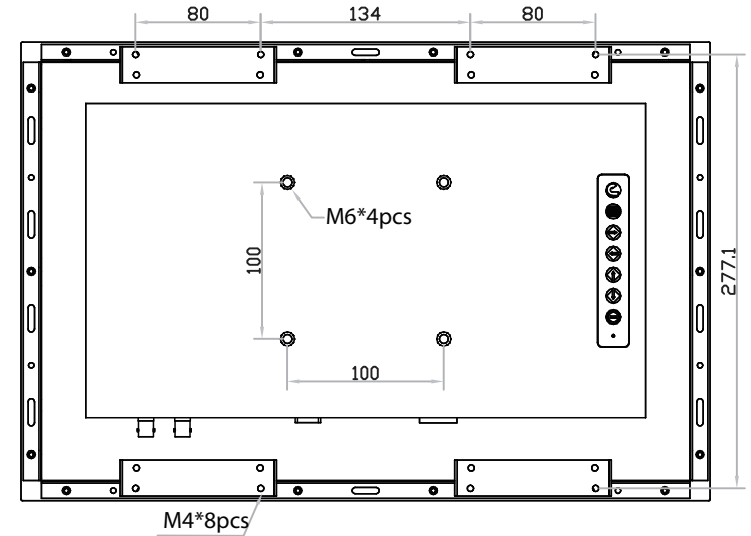
Front View



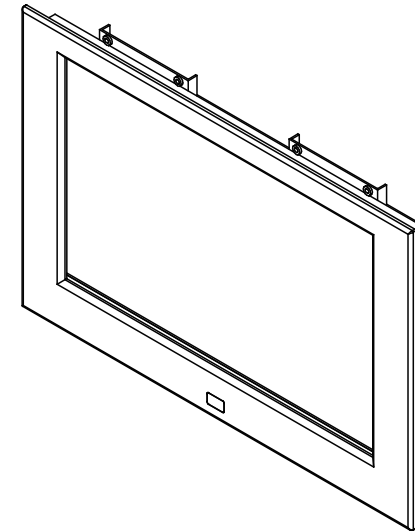
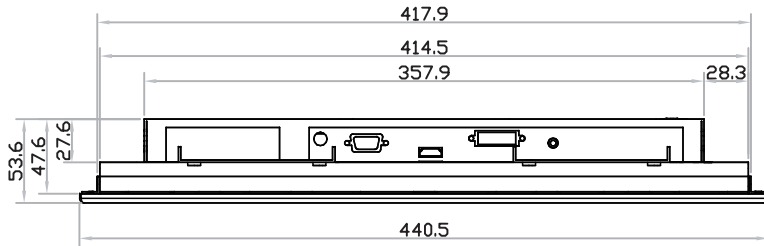
Left-side View



Rear View



Bottom View



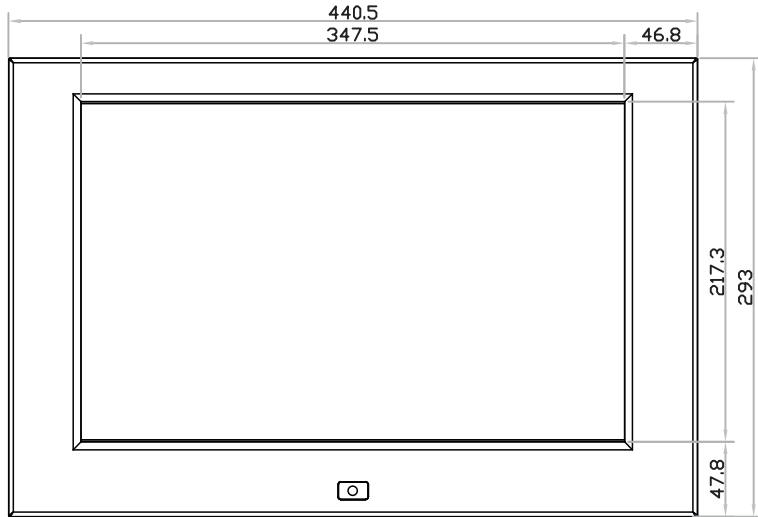
WUXGA 16.2" professional display chassis drawing

6mm aluminum front bezel with NEMA 4 / IP65 front protection

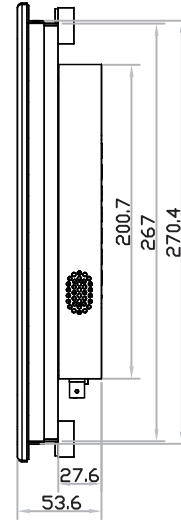
Model : NAP-X17

unit : mm

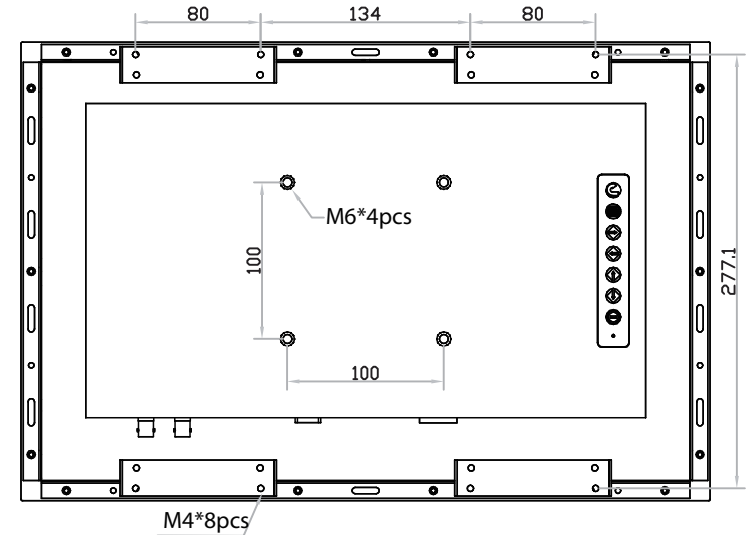
Front View



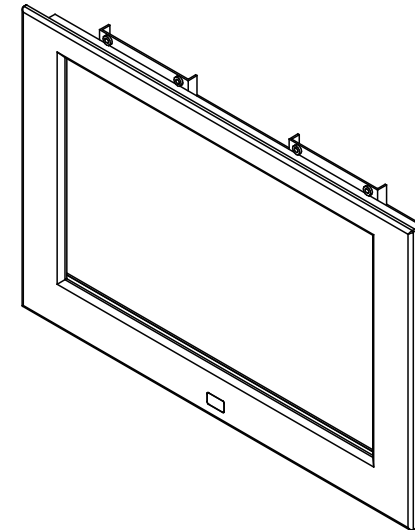
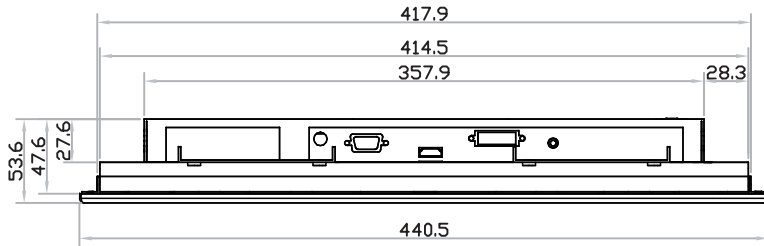
Left-side View



Rear View



Bottom View



WUXGA 16.2" professional display chassis drawing

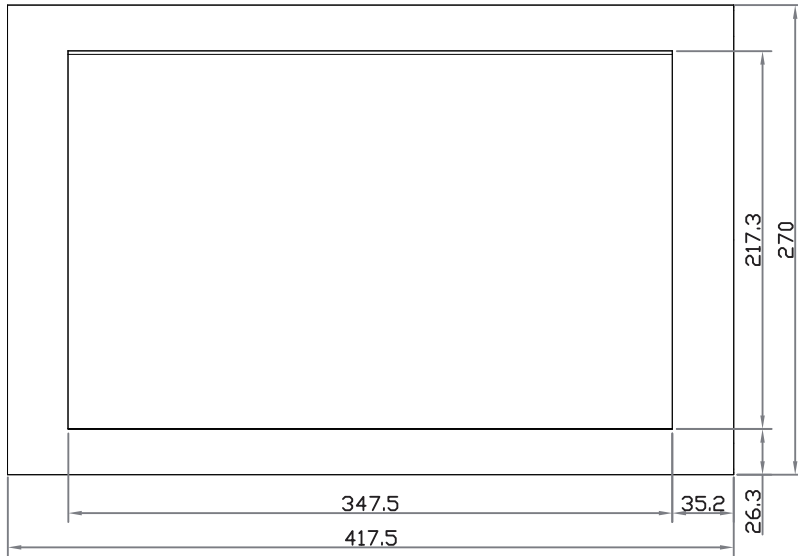
Aluminum front cover

Model : DP-X17

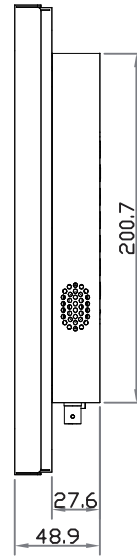


unit : mm

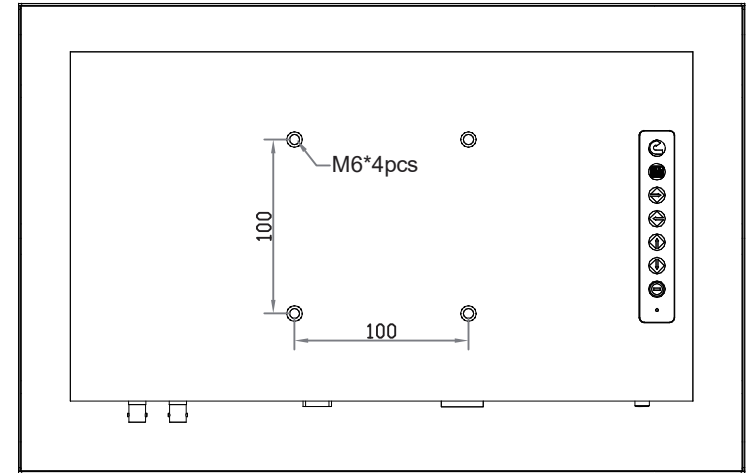
Front View



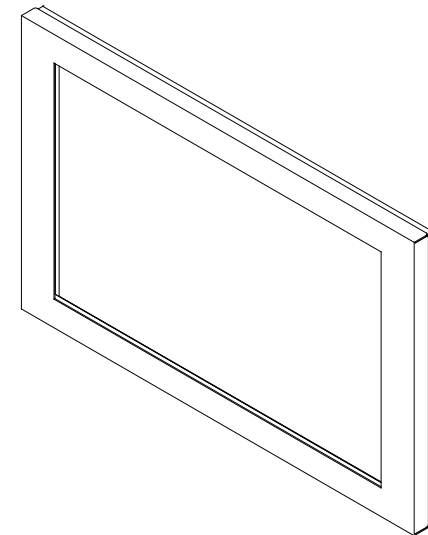
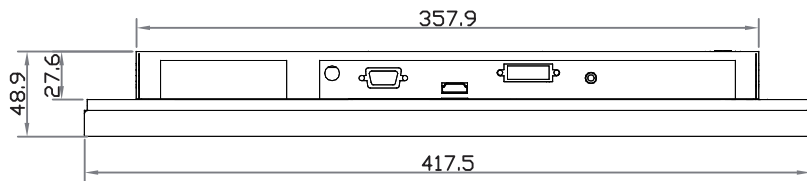
Left-side View



Rear View



Bottom View



WUXGA 16.2" professional display chassis drawing

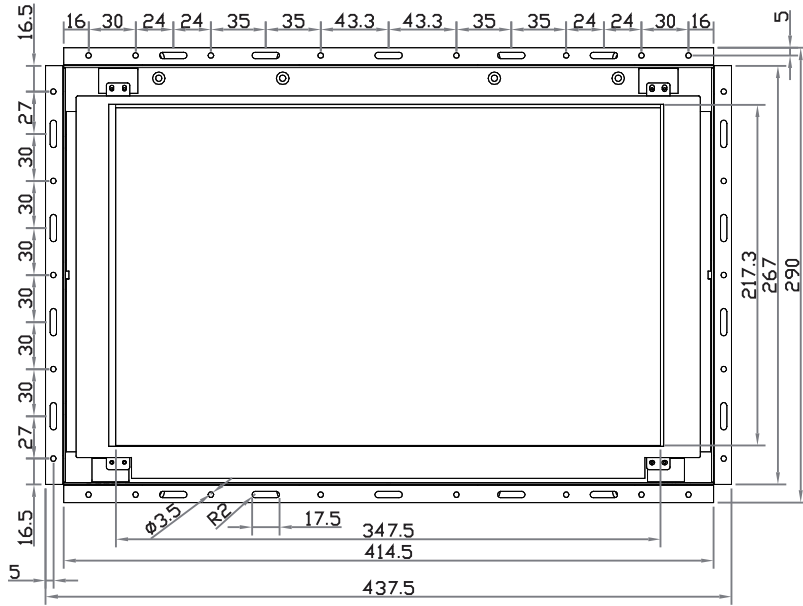
Universal open frame

Model : OP-X17

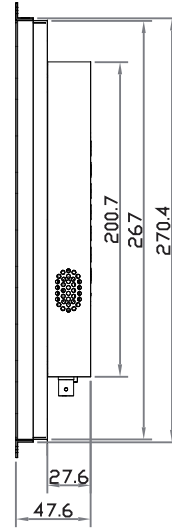


unit : mm

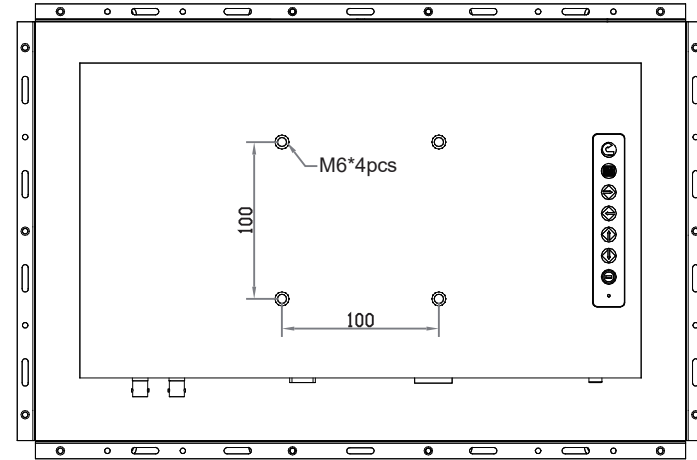
Front View



Left-side View



Rear View



Bottom View

