

## User Manual 21.5" 4K 3840 x 2160@60Hz LED-backlit LCD



### RP-K821

8U Rackmount Display Panel



Options :

- SDI / MCS
- Touchscreen / DC power
- MIL-type or lockable connector



Designed and manufactured by Austin Hughes

751

# Intentionally Left Blank

## Legal Information

First English printing, May 2026

Information in this document has been carefully checked for accuracy; however, no guarantee is given to the correctness of the contents. The information in this document is subject to change without notice. We are not liable for any injury or loss that results from the use of this equipment.

## Safety Instructions

**Please read all of these instructions carefully before you use the device. Save this manual for future reference.**

- Unplug equipment before cleaning. Don't use liquid or spray detergent; use a moist cloth.
- Keep equipment away from excessive humidity and heat. Preferably, keep it in an air-conditioned environment with temperatures not exceeding 40° Celsius (104° Fahrenheit).
- When installing, place the equipment on a sturdy, level surface to prevent it from accidentally falling and causing damage to other equipment or injury to persons nearby.
- When the equipment is in an open position, do not cover, block or in any way obstruct the gap between it and the power supply. Proper air convection is necessary to keep it from overheating.
- Arrange the equipment's power cord in such a way that others won't trip or fall over it.
- If you are using a power cord that didn't ship with the equipment, ensure that it is rated for the voltage and current labelled on the equipment's electrical ratings label. The voltage rating on the cord should be higher than the one listed on the equipment's ratings label.
- Observe all precautions and warnings attached to the equipment.
- If you don't intend on using the equipment for a long time, disconnect it from the power outlet to prevent being damaged by transient over-voltage.
- Keep all liquids away from the equipment to minimize the risk of accidental spillage. Liquid spilled on to the power supply or on other hardware may cause damage, fire or electrical shock.
- Only qualified service personnel should open the chassis. Opening it yourself could damage the equipment and invalidate its warranty.
- If any part of the equipment becomes damaged or stops functioning, have it checked by qualified service personnel.

## What the warranty does not cover

- Any product, on which the serial number has been defaced, modified or removed.
- Damage, deterioration or malfunction resulting from:
  - Accident, misuse, neglect, fire, water, lightning, or other acts of nature, unauthorized product modification, or failure to follow instructions supplied with the product.
  - Repair or attempted repair by anyone not authorized by us.
  - Any damage of the product due to shipment.
  - Removal or installation of the product.
  - Causes external to the product, such as electric power fluctuation or failure.
  - Use of supplies or parts not meeting our specifications.
  - Normal wear and tear.
  - Any other causes which does not relate to a product defect.
- Removal, installation, and set-up service charges.

## Regulatory Notices Federal Communications Commission (FCC)

This equipment has been tested and found to comply with the limits for a Class A digital device, pursuant to Part 15 of the FCC rules. These limits are designed to provide reasonable protection against harmful interference in business, industrial and commercial environments.

Any changes or modifications made to this equipment may void the user's authority to operate this equipment. This equipment generates, uses, and can radiate radio frequency energy and, if not installed and used in accordance with the instructions, may cause harmful interference to radio communications.

However, there is no guarantee that interference will not occur in a particular installation. If this equipment does cause harmful interference to radio or television reception, which can be determined by turning the equipment off and on, the user is encouraged to try to correct the interference by one or more of the following measures:

- Re-position or relocate the receiving antenna.
- Increase the separation between the equipment and receiver.
- Connect the equipment into an outlet on a circuit different from that to which the receiver is connected.

# Contents

## < Part. 1 > RP-K821

1.1	Package Content	P.1
1.2	Structure Diagram & Dimension	P.1
1.3	Installation	P.3

## < Part. 2 > Specifications / OSD

2.1	Product Specifications	P.5
2.2	OSD	P.8
2.3	Picture In Picture ( PIP ) / Picture By Picture ( PBP )	P.11

## < Part. 3 > Option

3.1	12G / 4K60 / SD-SDI Broadcast-grade input	P.13
3.2	3G / HD / SD-SDI Broadcast-grade input	P.14
3.3	<b>MCS</b> Multi-display control solution	P.15
3.4	Touchscreen	P.16
3.5	DC Power	P.18
3.6	MIL-type or Lockable Connector	P.19

## Before Installation

- It is very important to mount the equipment in a suitable cabinet or on a stable surface.
- Make sure the place has a good ventilation, is out of direct sunlight, away from sources of excessive dust, dirt, heat, water, moisture and vibration.

## Unpacking

The equipment comes with the standard parts shown in package content. Check and make sure they are included and in good condition. If anything is missing, or damaged, contact the supplier immediately.

## How To Clean Your LCD Monitor



### Caution :

- To avoid the risk of electric shock, make sure your hands are dry before unplugging your monitor from or plugging your monitor into an electrical outlet.
- When you clean your monitor, do not press down on the LCD screen. Pressing down on the screen can scratch or damage your display. Pressure damage is not covered under warranty.
- Use only cleansers made specifically for cleaning monitors and monitor screens. Cleansers not made to clean monitors and monitor screens can scratch the LCD display or strip off the finish.
- Do not spray any kind of liquid directly onto the screen or case of your monitor. Spraying liquids directly onto the screen or case can cause damage which is not covered under warranty.
- Do not use paper towels or abrasive pads to clean your monitor. Using an abrasive pad or any wood based paper product such as paper towels can scratch your LCD screen.

## Cleaning Your Monitor

To clean your LCD safely, please follow these steps :

- ① Disconnect the power cord.
- ② Gently wipe the surface using a clean, dry microfiber cloth. Use as little pressure as possible.

## Cleaning Tough Marks and Smudges

To remove tough marks and smudges, please follow these steps :

- ① Disconnect the power cord.
- ② Spray a small amount of non-abrasive cleanser on a microfiber cloth.



**Caution : Do not spray or apply any liquids directly onto the monitor. Always apply the solution to your microfiber cloth first, not directly on the parts you are cleaning.**

- ③ Gently wipe the surface. Use as little pressure as possible.
- ④ Wait until your monitor is completely dry before plugging it in and powering it up.

## < Part 1 >

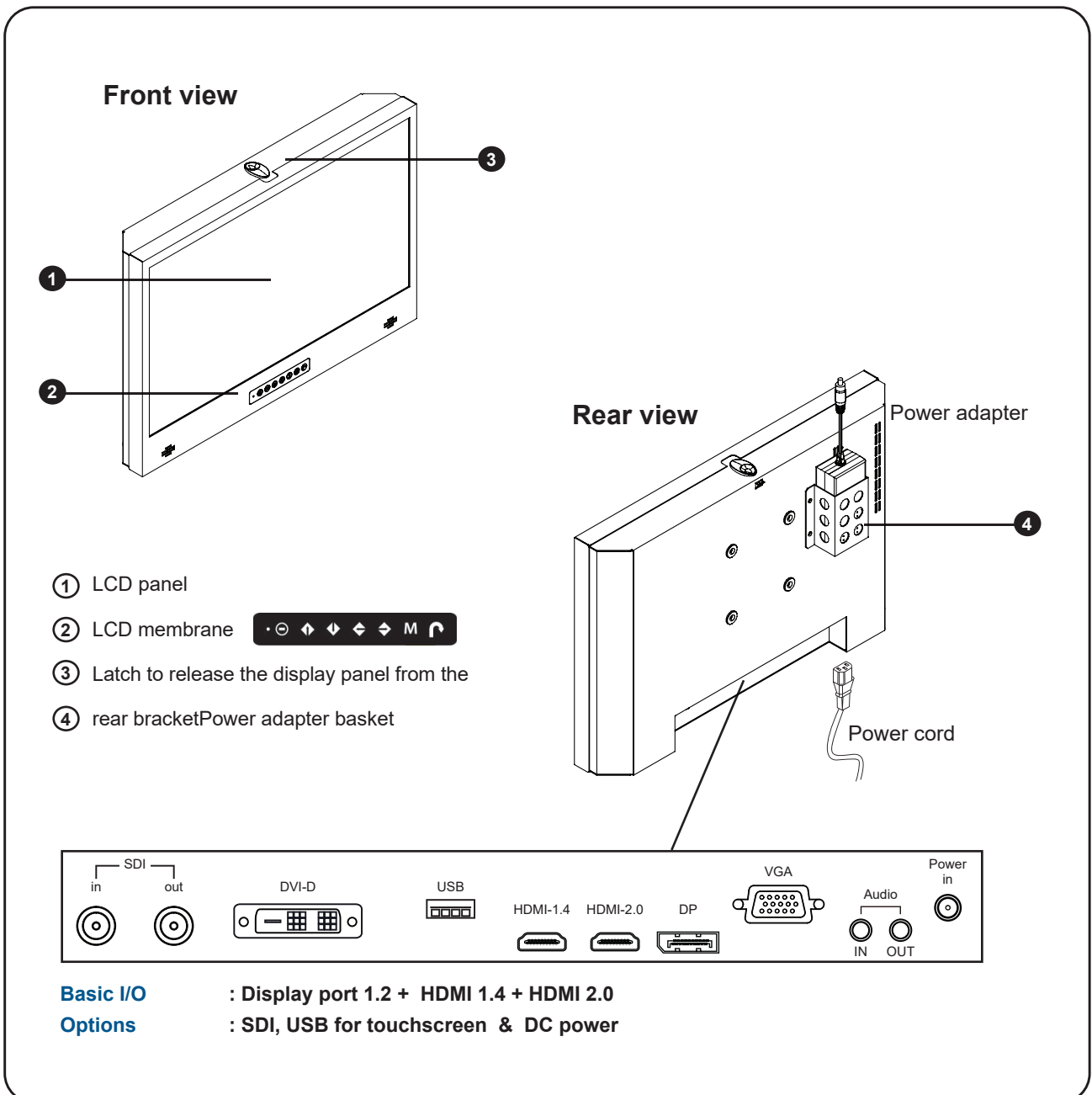
### < 1.1 > Package Content



#### RP-K821 unit X 1

- 6ft DP cable X 1
- Power adapter X 1
- Power cord X 1
- Fastener screw for rear bracket x 2

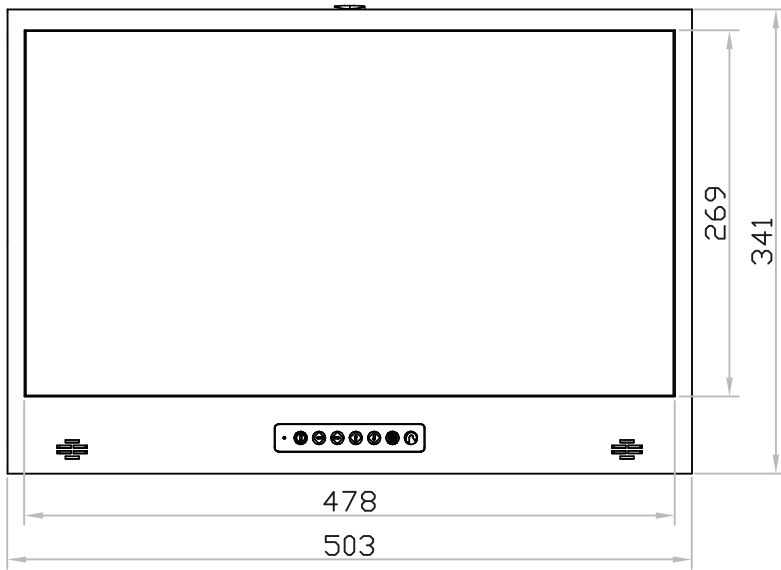
### < 1.2 > Structure Diagram



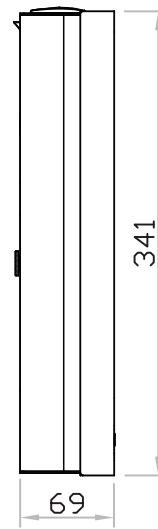
## < 1.2 > Dimension

RP-K821

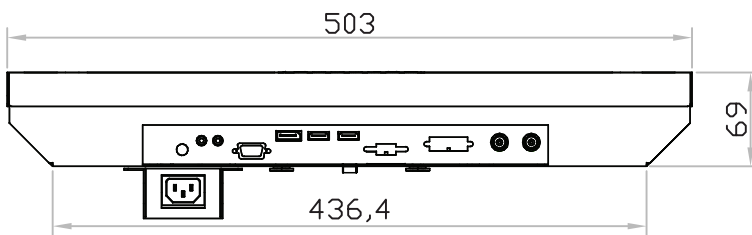
Front View



Side View



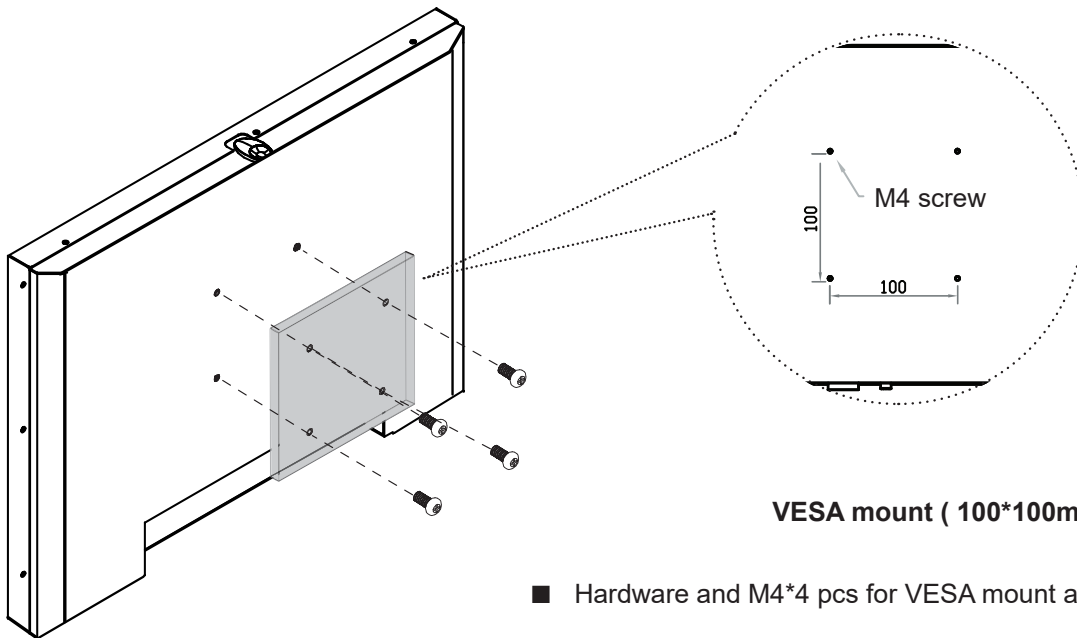
Bottom View



UNIT : mm  
1mm = 0.03937 inch

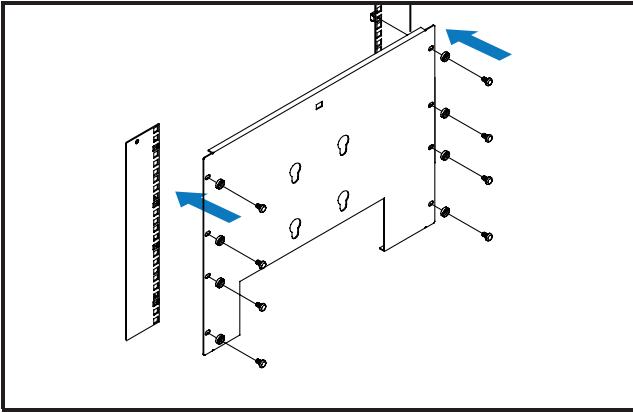
Model	Product Dimension (W x D x H)	Packing Dimension (W x D x H)	Net Weight	Gross Weight
RP-K821	503 x 69 x 341 mm 19.8 x 2.7 x 13.4 inch	585 x 136 x 557 mm 23.0 x 5.4 x 21.9 inch	8.8 kg 19.4 lb	11.2 kg 24.6 lb

### < 1.3 > VESA mount Installation



**VESA mount ( 100\*100mm )**

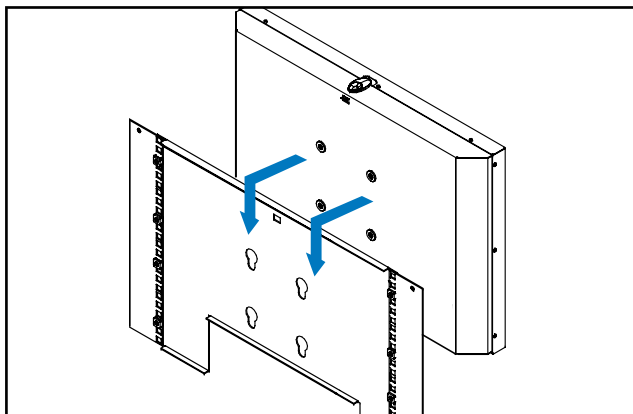
■ Hardware and M4\*4 pcs for VESA mount are not provided



### Step 1

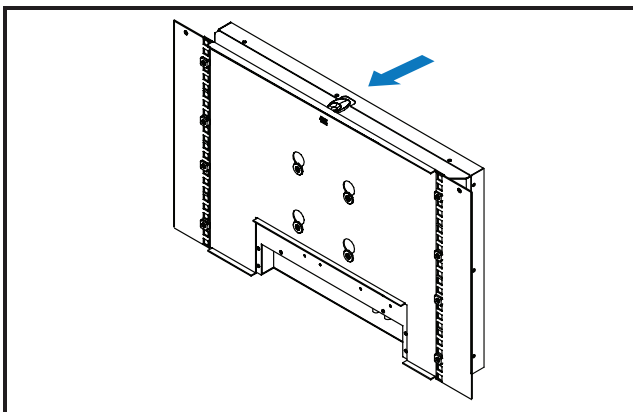
- Mount the rear bracket with M6 screw set.
- 8 x M6 screw set are required.

**M6 screw sets are not provided.**



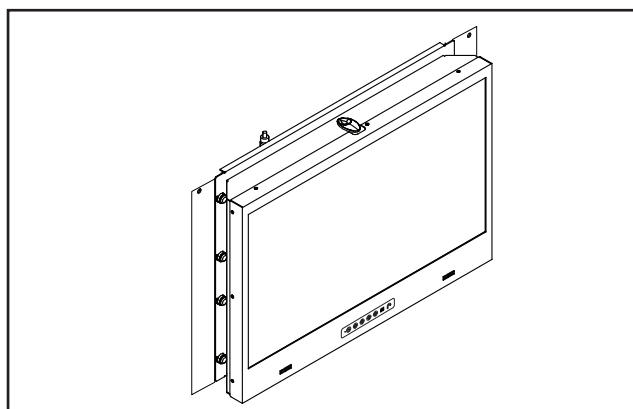
### Step 2

- Insert the RP-K821 display panel into the rear bracket.



### Step 3

- Fix the unit to the bracket with the top latch.



### Step 4

**Complete the installation**

## < Part 2 >

### < 2.1 > Product Specifications

<b>LED-backlit LCD Panel</b>	Native Resolution	3840 x 2160@60Hz
	Panel Size ( diagonal )	21.5"
	Brightness ( cd/m <sup>2</sup> )	600
	Contrast Ratio ( typ. )	1000:1
	Colors	16.7M
	Viewing Angle ( L/R/U/D )	89/89/89/89
	Response Time ( ms )	12
	Dot pitch ( mm )	0.124
	Display Area ( mm )	476.06H x 267.79V
	Surface treatment	Anti-glare
	Surface hardness	3H
	Backlight Type	LED
	MTBF ( hrs )	50,000

<b>Video</b>	Digital	Display port	DP 1.2 / HDCP 1.3
		HDMI	HDMI 1.4 / HDCP 1.4
			HDMI 2.0 / HDCP 2.2

<b>Audio</b>	Audio Output	Connector	3.5mm stereo jack
		Resistance / Power level	30kΩ / 2.8V
	Speaker	Dual Stereo Speaker	2W x 2

\* When the audio output is connected, speaker output is OFF

<b>Power</b>	Power Supply	Range	Auto-sensing 100 to 240VAC, 50 / 60Hz
	Power Consumption	Screen ON	Max. 132W
		Power saving mode	Max. 2W
		Power button OFF	Max. 1W

<b>Compliance</b>	EMC	FCC & CE
	Safety	CE / LVD & UKCA
	Environmental	RoHS3 & REACH / WEEE

<b>Environmental Conditions</b>	Operating	Temperature	0 to 55°C degree
		Humidity	10~90%, non-condensing
		Altitude	16,000 ft
	Storage / Non-operating	Temperature	-20 to 60°C degree
		Humidity	5~90%, non-condensing
		Altitude	40,000 ft
		Shock	10G acceleration (11ms duration)
		Vibration	10~300Hz 0.5G RMS random


<b>Physical Specification</b>	Product ( W x D x H )	503 x 69 x 341 mm 19.8 x 2.7 x 13.4 inch
	Packing ( W x D x H )	585 x 136 x 557 mm 23.0 x 5.4 x 21.9 inch
	Net Weight	8.8 kg / 19.4 lb
	Gross Weight	11.2 kg / 24.6 lb






\* All dimensions stated are subject to change if options are selected / integrated to base model part codes

<b>Applicable Format</b>	Display Port Input	PC Signal	3840 x 2160 x 60Hz 2560 x 1440 x 60Hz 1920 x 1080 x 60Hz 1600 x 1200 x 60Hz 1360 x 768 x 60Hz 1280 x 1024 x 60 / 75Hz 1280 x 768 x 60Hz 1024 x 768 x 60 / 70 / 75Hz 800 x 600 x 60 / 72 / 75Hz 720 x 400 x 70Hz 640 x 480 x 60 / 72 / 75Hz	
		Audio Signal	2ch Linear PCM	
		HDMI Input	HDMI 2.0	3840 x 2160 x 60Hz
			HDMI 2.0 / 1.4	3840 x 2160 x 30Hz
				2560 x 1440 x 60Hz
				1920 x 1080 x 50 / 60Hz ( 1080p )
				1920 x 1080 x 25 / 30Hz ( 1080i )
			1280 x 720 x 50 / 60Hz ( 720p )	
		720 x 480 x 50 / 60Hz ( 576p / 480p )		
		Audio Signal	2ch Linear PCM	





# Intentionally Left Blank

○ Power light  
● Green = On  
● Orange = Power saving



Membrane Switch	Function
	Power on / off LCD
	Display the OSD menu
	Scrolls through menu options and adjusts the displayed control (To auto adjustment by pressing the button  for 5 seconds)
	Exit the OSD screen Toggle analog, digital & video connection (DVI-D and video options only)

Select another video input (only available for models with multiple video input) :

- ( a ) Press the button  to call up the on-screen video mode on top right corner.
- ( b ) Use up/down arrow   to the select the video input
- ( c ) Press the button  to confirm the selection

## < 2.2 > On-screen Display Operation ( OSD )

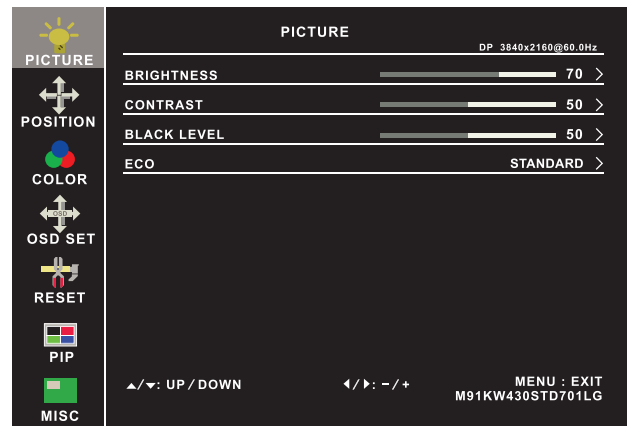
### ① Picture

Brightness : Adjust the screen brightness

Contrast : Adjust the difference between the image background ( black level ) and the foreground ( white level )

Black level : Adjust background black level of the screen

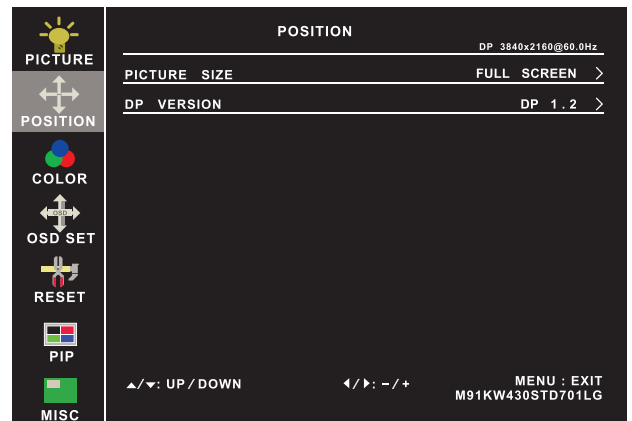
Eco : Screen in power saving mode



### ② Position

Picture size : Adjust the image size  
- Full Screen / 4:3 / 5:4 / Pixel to Pixel

DP version : Select the DP version



### ③ Color

Color temperature : User / Warm / Cool / 5400k mode and Red / Green / Blue color balance

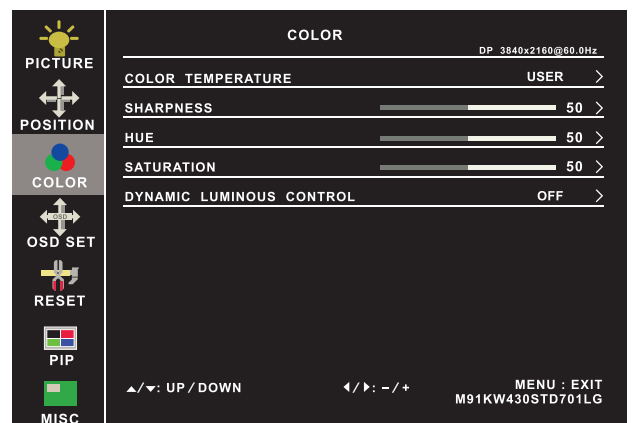
Sharpness : Adjust the image from weak to sharp

Hue : Adjust the screen hue value

Saturation : Adjust the saturation of the image color

Dynamic

luminous control : Control the dynamic brightness



### ④ OSD Set

Language : Select the language in which the OSD menu is displayed - English

OSD H-Position : Align the screen image left or right

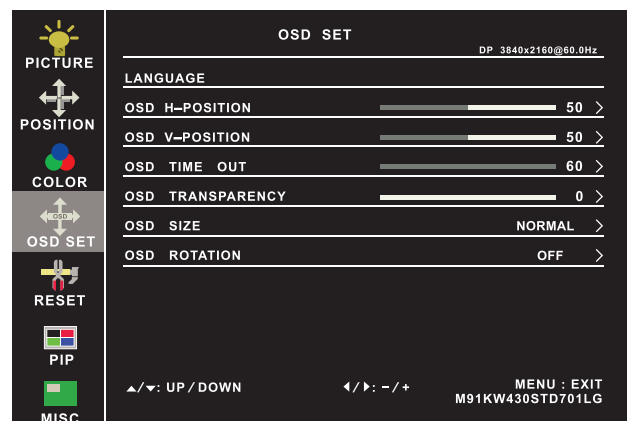
OSD V-Position : Align the screen image up or down

OSD time out : Adjust the screen timeout

OSD transparency : Adjust the screen transparency

OSD size : Adjust the screen size - Normal / Small

OSD rotation : Rotate the screen - 90° / 180° / 270°

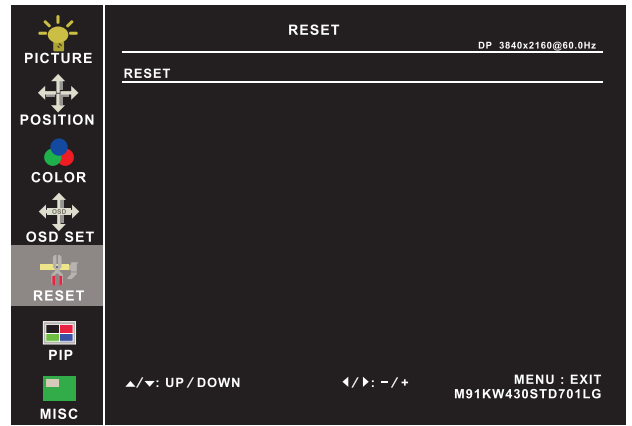


## < 2.2 > On-screen Display Operation ( OSD )

RP-K821

### ⑤ Reset

Reset : Return the adjustment back to factory setting



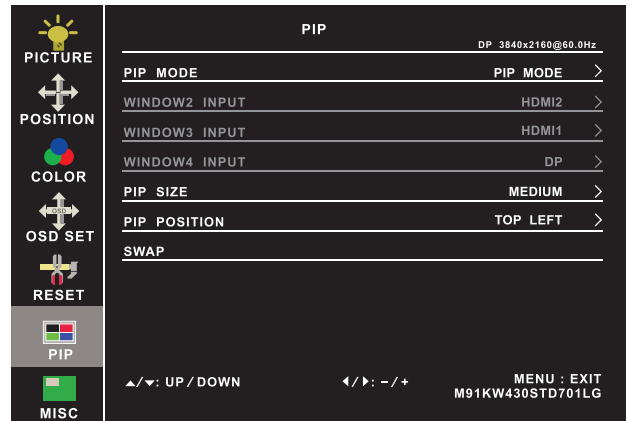
### ⑥ PIP

PIP mode : Enter into PIP / PBP setting - PIP MODE / PBP 2WIN ( Main screen + 1 sub screen ) / PBP 3WIN ( Main screen + 2 sub screen ) / PBP 4WIN ( Main screen + 3 sub screen )  
Select the signal input of each sub screen

PIP size : Adjust the size of the Sub screen  
- Small / Medium / Large / Huge

PIP position : Adjust the position of the Sub screen  
- Top Left / Top Right / Bottom Left / Bottom Right

Swap : Swap the input signal of PIP / PBP sub screen



### ⑦ MISC

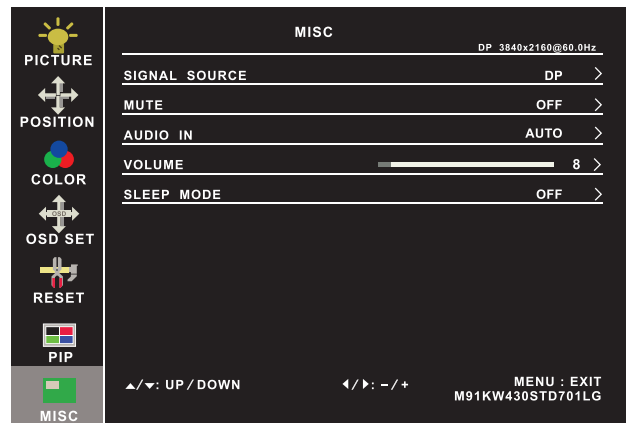
Signal source : Select the signal source - DP / HDMI1 / HDMI2

Mute : Turn off the surrounding sound

Audio in : Auto / Line in / DP

Volume : Adjust the volume of sound

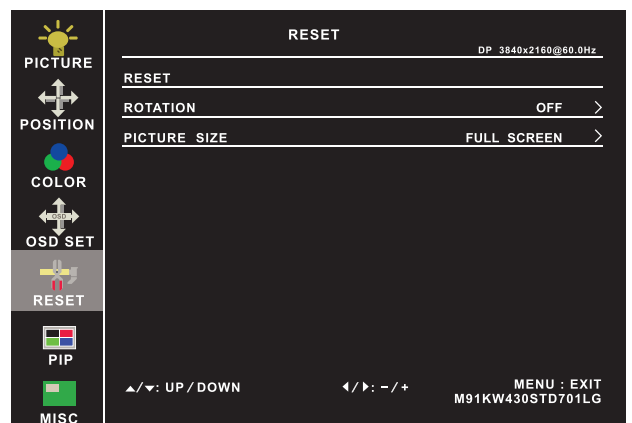
Sleep mode : Set the off time - 10 min / 20 min / 30 min / 50 min / 60 min / 120 min / 240 min



### Options on Reset page

Rotation : Rotate the image in Full screen or 1:1  
- 90° / 180° / 270°

Picture size : Adjust the image size in Full screen or 1:1



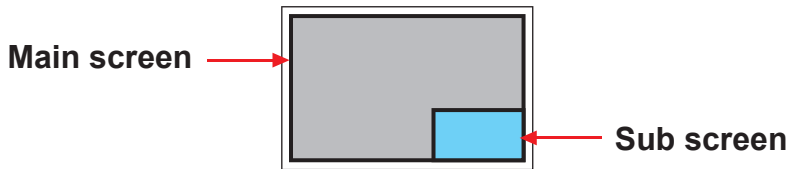
## < 2.3 > How to Use Picture In Picture ( PIP ) / Picture By Picture ( PBP )

### < 2.3.1 > Picture in Picture ( PIP )

#### Mode

Display the Sub screen in the Main screen.

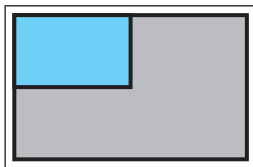
OSD Menu → MISC → PIP Mode → Large / Small / OFF



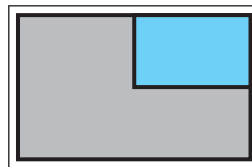
#### Position

Adjust the position of the Sub screen ( top left, bottom left, top right, bottom right )

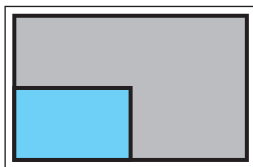
OSD Menu → MISC → PIP Position → top left / top right / bottom left / bottom right



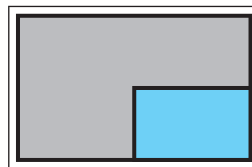
top left



top right



bottom left



bottom right

#### Size

Adjust the size of the Sub screen ( Large / Small )

OSD Menu → MISC → PIP Mode → Large / Small

#### Size of Sub screen

LCD Monitor	Large Sub screen	Small Sub screen
1920 x 1200	552 x 414	480 x 360
1920 x 1080	552 x 414	480 x 360
1440 x 900	414 x 310	360 x 270
1366 x 768	392 x 294	340 x 254
1280 x 1024	368 x 276	320 x 240

### < 2.3.2 > Picture By Picture ( PBP )

#### Mode

Display the Sub screen next to the Main screen.

OSD Menu → MISC → PIP Mode → PBP



#### Size

LCD Monitor	Main / Sub screen
1920 x 1200	955 x 716
1920 x 1080	955 x 716
1440 x 900	715 x 536
1366 x 768	678 x 508
1280 x 1024	635 x 476

### < 2.3.3 > PIP / PBP Source

To select an input signal for PIP / PBP Sub screen.

OSD Menu → MISC → PIP Source → HDMI / SDI

The PIP / PBP is operable in the following table :

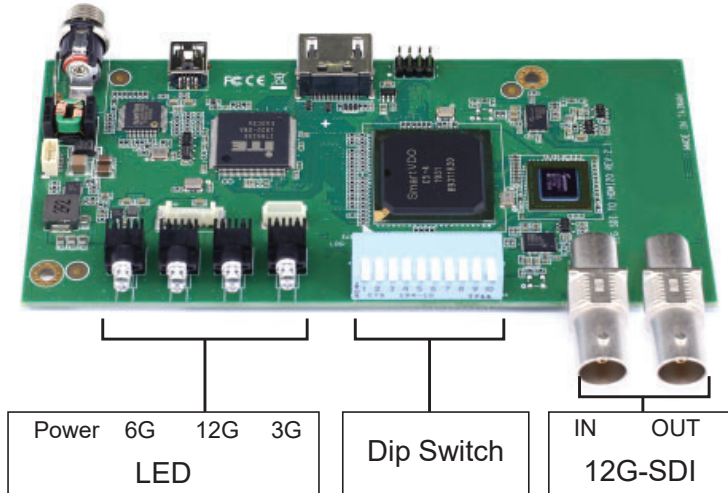
	Sub	
Main	HDMI	SDI
HDMI	X	O
SDI	O	X

## < Part 3 >

### < 3.1 > Options : 12G / 4K60 / SD-SDI input

Austin Hughes' SDI input is an ideal solution for the broadcast-grade video and high resolution CCTV market.

Designed for use with displays, a SDI input module can support up to 3840 x 2160p @60Hz resolution without using additional space or power and it comes standard with a 2-year warranty.



#### Product Specifications

INPUT	
12G-SDI IN	BNC RG6 / RG59 ( 75Ω )

OUTPUT	
12G-SDI OUT	BNC RG6 / RG59 ( 75Ω )

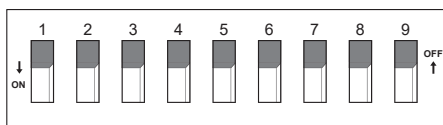
Compatible Video Format		
12G-SDI IN	3840 x 2160p	@60 / 50fps
6G-SDI IN	3840 x 2160p	@30 / 25 / 24fps
3G-SDI IN	1920 x 1080p	@60 / 50fps
HD-SDI IN	1920 x 1080p	@30 / 25 / 24fps
	1920 x 1080i	@60 / 50fps
	1280 x 720p	@60 / 50fps

#### Dip Switch Mode

Output Color	4	5
YUV444	OFF	OFF
YUV422	OFF	<b>ON</b>
RGB444	<b>ON</b>	OFF
YUV420	<b>ON</b>	<b>ON</b>

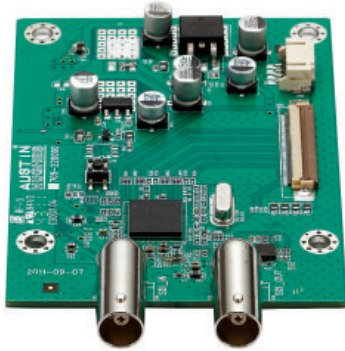
EQ	6	7
Auto	OFF	OFF
Disable	OFF	<b>ON</b>
Enable	<b>ON</b>	OFF

Out1 Cable length	8
Short	OFF
Long	<b>ON</b>



## < 3.2 > Options : 3G / HD / SD-SDI input

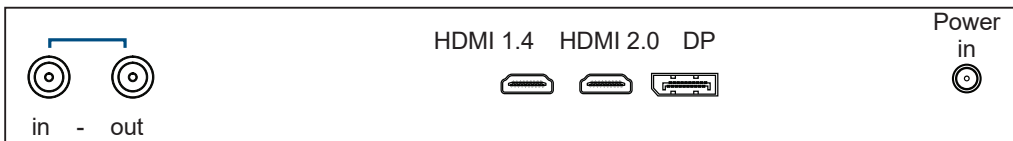
RP-K821



Austin Hughes' SDI input is an ideal solution for the broadcast-grade video and high resolution CCTV market.

Designed for use with CyberView displays, a SDI input module can support up to 1080p @60Hz resolution without using additional space or power and it comes standard with a 2-year warranty.

### SDI



<b>INPUT</b>	3G-SDI IN	BNC x 1 / 0.8Vp-p ( 75 ohm )
	3G-SDI OUT	BNC x 1 / Active through, equalized & relocked

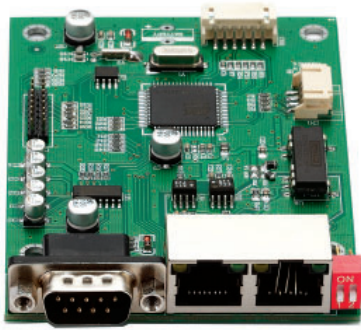
<b>Standard Compliance</b>	Video	SMPTE 425M / 274M / 296M / 125M ITU-R BT.656
	Audio	SMPTE 299M / 272M-C

<b>Compatible Video Format</b>	3G-SDI	1080p @60 / 50Hz, 4:2:2
		1080p @30 / 25 / 24Hz, 4:4:4
		1080i @60 / 50Hz, 4:4:4
		720p @60 / 50Hz, 4:4:4
	HD-SDI	1080p @30 / 25 / 24Hz, 4:2:2
		1080i @60 / 50Hz, 4:2:2
SD-SDI	720p @60 / 50Hz, 4:2:2	
	480i @60Hz, 4:2:2	
ITU-R BT.656	576i @50Hz, 4:2:2	

<b>Compatible Audio Format</b>	3G-SDI	48kHz, 16 / 20 / 24 bit, 2 CH, Synchronized Video
	HD-SDI	48kHz, 16 / 20 / 24 bit, 2 CH, Synchronized Video
	SD-SDI	48kHz, 16 / 20 / 24 bit, 2 CH, Synchronized / Asynchronous Video

<b>Max. Transmission Distance 75 ohm coaxial cable</b>	3G-SDI	150m at 2.97Gb/s
	HD-SDI	250m at 1.485Gb/s
	SD-SDI	480m at 270Mb/s

### < 3.3 > Options : MCS ( Multi-display Control )

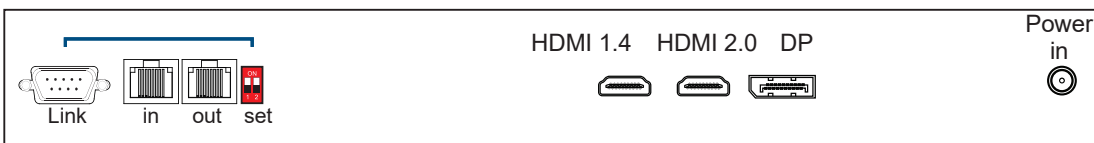


More control is always good. Especially when it is necessary and easy. Austin Hughes provides MCS solution to control the **OSD** of various CyberView LCD display up to 64 units.

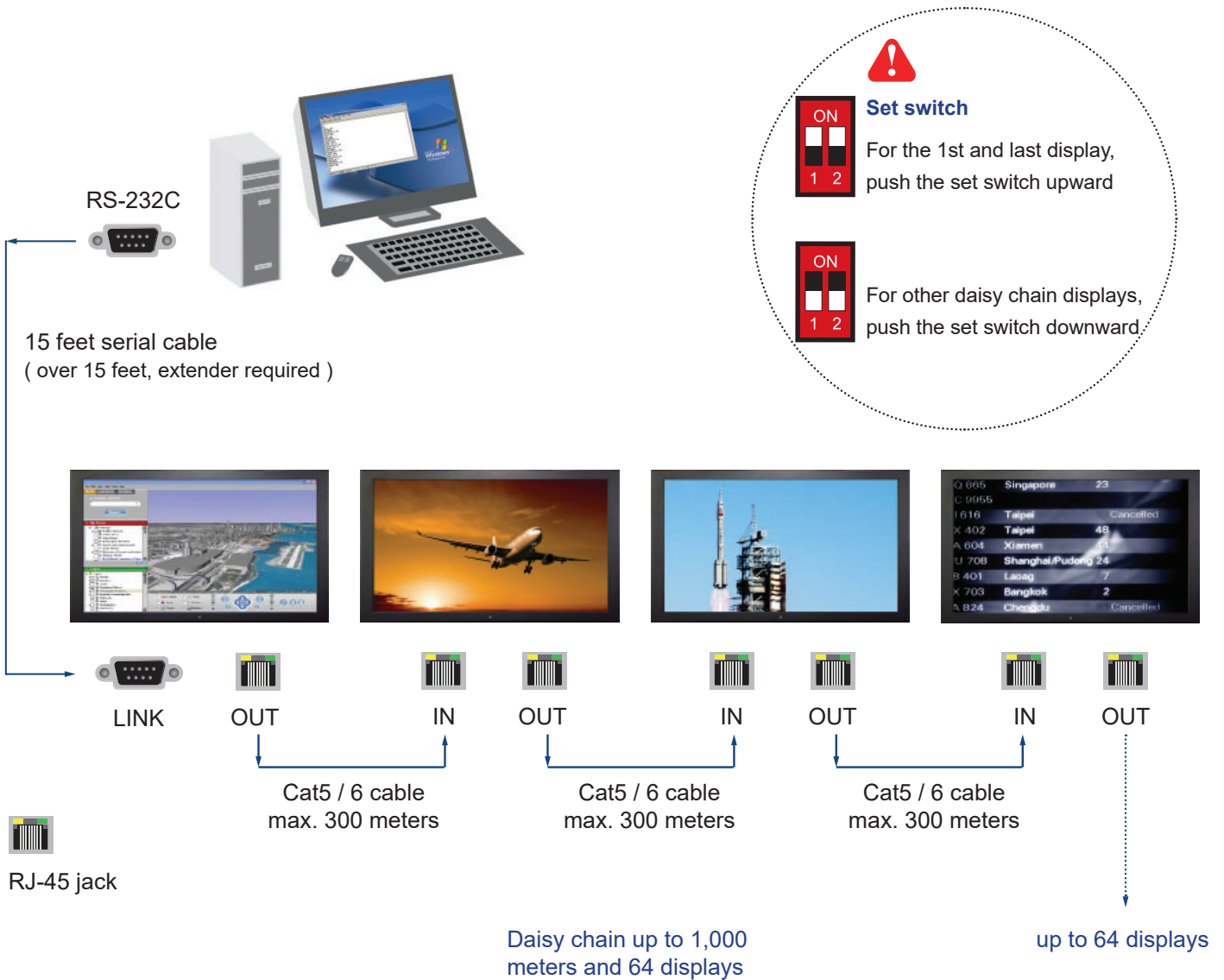
The RS-232C is used for the communication between the PC and the first display via a 15 feet serial cable while the CAN bus is used for the various LCD displays cascade together via CAT 5/6 cable, and daisy chain up to 1,000 meters.

Designed for use with CyberView LCD displays, Austin Hughes provides a MCS input module without using additional space or power and it comes standard with a 2-year warranty.

#### MCS



\*\*\* Please download the protocol of MCS control at :  
<http://www.austin-hughes.com/support/usermanual/cyberview/UM-CV-MCS.pdf>

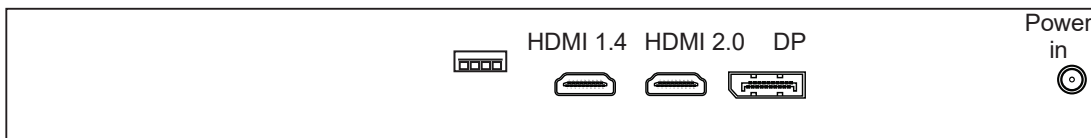




**K21" USB Touchscreen Specification**

<b>Model</b>	<b>K21TPC-10</b> Multi-touch	<b>TRB</b> e-Resistive
<b>Technology</b>	Projected Capacitive	5-Wire Resistive
<b>Touch Point</b>	10 point touch standard ( special requirement available )	Single
<b>Input Type</b>	Finger or Capacitive Stylus	Finger or Stylus
<b>Resolution</b>	4096 x 4096	2048 x 2048
<b>Touch Point Accuracy</b>	± 2 mm	-
<b>Response Speed</b>	< 5 ms	15 ms
<b>Activation Force</b>	< 5 g	≤ 50 g
<b>Surface Hardness</b>	6H	3H
<b>Light Transmission</b>	> 85%	80% ± 3%
<b>Haze</b>	3%↓	8% ± 3%
<b>Durability</b>	50 million touches	10 million touches
<b>Top Layer</b>	3 mm Glass	ITO Film
<b>Bottom Layer</b>	0.7 mm Sensor Glass	ITO Glass
<b>Thickness</b>	3.9 ± 0.1 mm	2.2 ± 0.2 mm
<b>Connector</b>	USB	USB Type A
<b>Compatibility</b>	Windows 7 / XP / Linux / Mac	Windows / Linux / Android / Mac

- Dimension will be changed if Multi-touch required
- USB touchscreen package includes 1 x 6ft USB cable, quick reference guideline and CD disc
- For detailed information, please refer to the attached CD disc
- As the touchscreen unit is not made of toughened glass, please handle it carefully



**USB  
Touchscreen**

## < 3.4 > Options : Touchscreen & driver



### K21TPC-10 Driver



Connect the USB cable from the USB port on the LCD to a computer. The touch screen supports easy Plug-and-Play operations. There is no need to install additional drivers on the computer.

### TRB Driver

**Please follow the below steps to setup the touch screen:-**

**Step 1.** Run the bundled CD disc or download the driver from the link below :

<http://www.austin-hughes.com/resources/driver/rackmount-display>

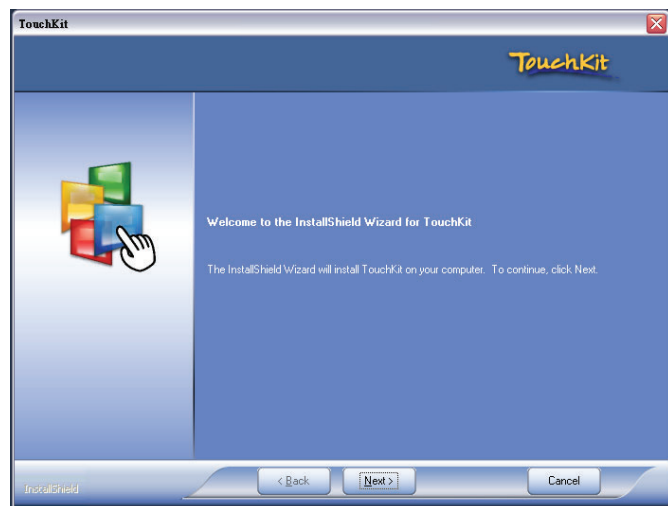
**Step 2.** Double click the Setup.exe

**Step 3.** Follow the installation instruction to finish the setup

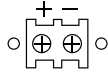
**Step 4.** After installation, run the TouchKit program & the “4 point calibration”



Please do the initial calibration after the first setup



### < 3.5 > Options : DC Power



RP-K821

Model	12V	24V	48V	125V	250V
<b>Input rating</b>					
Input voltage:	12-Volt	24-Volt	48-Volt	110-Volt	300-Volt
Input range:	9 ~ 18V	18 ~ 36V	36 ~ 75V	66 ~ 160V	180 ~ 425V
Input current					
- No load	50 mA	50 mA	50 mA	35 mA	10 mA
- Full load	4950 mA	2450 mA	1220 mA	749 mA	600 mA
<b>Output rating</b>					
Output voltage:	12-Volt	12-Volt	12-Volt	12-Volt	12-Volt
Output current:	4.16A	4.16A	4.16A	6.25A	12.5A
<b>Efficiency</b>	84%	85%	85%	91%	86%



\*\*\* For DC power option :

( 1 ) If the unit with LCD, earthing may be required 

### < 3.6 > Options : MIL-type or Lockable Connector

	Input	Part no.	MIL Standard
<b>MIL - type Connector</b>	DC Power *** ( Male )	MS3470W8-33P 	MIL - DTL - 26482
	VGA *** ( Male )	MS3470W14-15P 	MIL - DTL - 26482

\*\*\* There are several additional MIL DC and VGA connector types with varying design characteristics to meet cost considerations and to provide users with the most design flexibility possible. For more information, please contact us.

	Input	Part no.	Standard
<b>Lockable Connector</b>	DC Power ( Male )	YM-Ext-461CP001 	D-type 3W3
	USB	LUSB - A111 - 00 	-

\*\*\* MIL - type or Lockable connectors above can be integrated with our LCD displays. Sale service just for connectors not provided.

The company reserves the right to modify product specifications without prior notice and assumes no responsibility for any error which may appear in this publication.

All brand names, logo and registered trademarks are properties of their respective owners.

Copyright 2026 Austin Hughes Electronics Ltd. All rights reserved.